

Date of Installation : _____

Unit Serial Number : _____

Kompac Dealer : _____

Kompac®



A DIVISION OF DAY INTERNATIONAL, INC.



DAY INTERNATIONAL, INC.

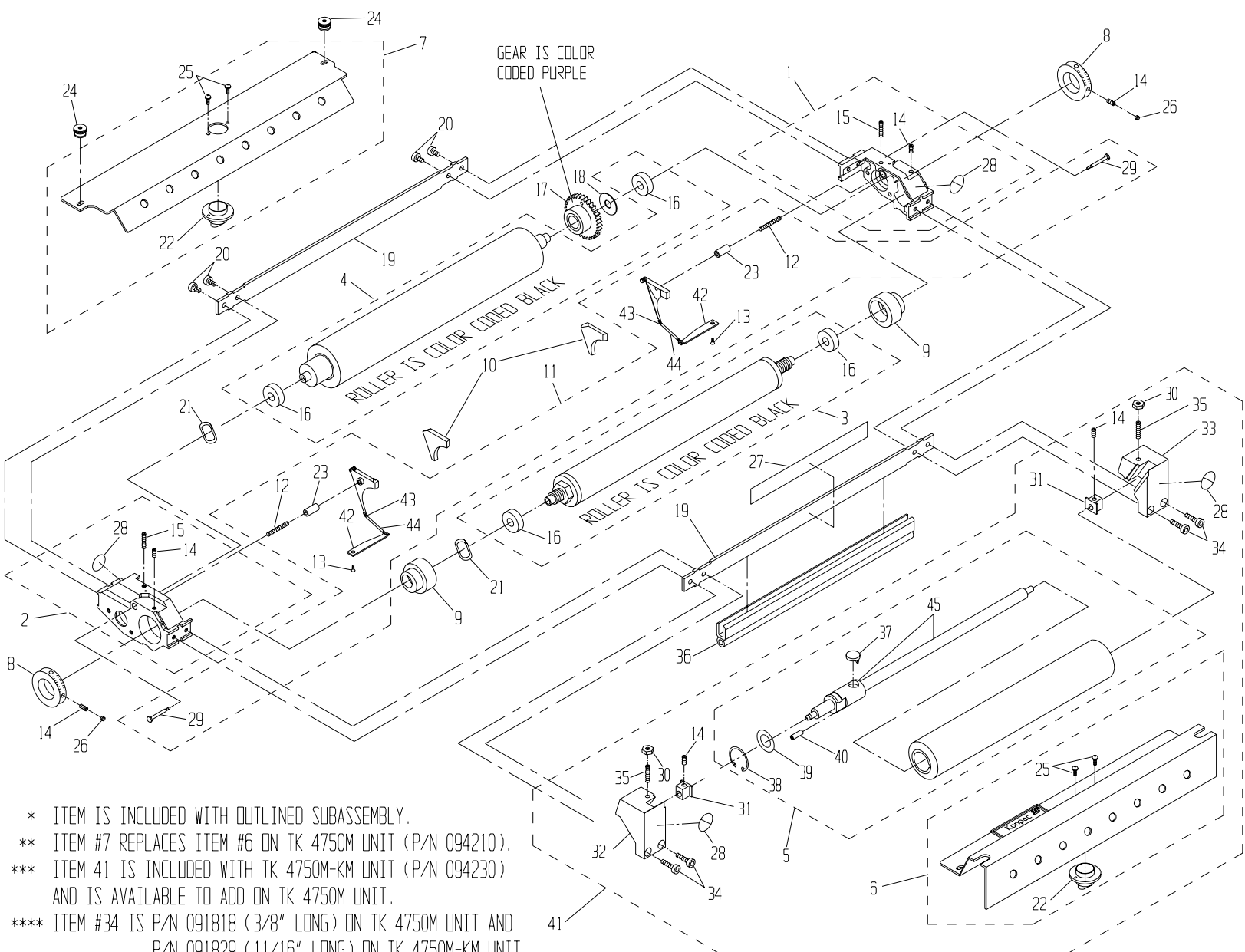
Image Transfer Group

Kompac®



TK 4750M

Parts Catalog # 090342



* ITEM IS INCLUDED WITH OUTLINED SUBASSEMBLY.
 ** ITEM #7 REPLACES ITEM #6 ON TK 4750M UNIT (P/N 094210).
 *** ITEM #41 IS INCLUDED WITH TK 4750M-KM UNIT (P/N 094230) AND IS AVAILABLE TO ADD ON TK 4750M UNIT.
 **** ITEM #34 IS P/N 091818 (3/8" LONG) ON TK 4750M UNIT AND P/N 091829 (11/16" LONG) ON TK 4750M-KM UNIT.

| | | | | | | | | | | | |
|-------|--------|--------------------------|-----|-------|--------|-----------------------------|-----|-------|--------|-----------------------------|-----|
| 45 | 091262 | SHAFT ASSY S.S. | * | 30 | 091982 | #10-32 NUT | 2 | 15 | 091814 | #10-24 X 3/4 SET SCREW | * |
| 44 | 092259 | SPRING COVER | * | 29 | 092303 | SHOULDER SCREW | * | 14 | 091811 | #10-24 X 1/4 SET SCREW | 4* |
| 43 | 092236 | TAB SPRING | * | 28 | 092601 | INWARD NIP SYMBOL | 2* | 13 | 091802 | #3-48 X 1/4 FLAT HD SCREW | * |
| 42 | 092234 | TAB | * | 27 | 092494 | WARNING STICKER | 1 | 12 | 092238 | COMPRESSION SPRING | * |
| 41 | 096580 | KOLORMATE MODEL 90 | *** | 26 | 091810 | #10-24 X 1/8 SLOT SET SCW | 2 | 11 | 092290 | BACKING PLATE KIT (L & R) | 1 |
| 40 | 091949 | SPRING PIN | * | 25 | 091806 | #6-32 X 3/8 PHILLIPS HD SCW | * | 10 | 092370 | KOMPAC SEAL SET (L & R) | 1 |
| 39 | 091965 | WASHER | * | 24 | 092691 | COVER NUT | 2 | 9 | 092291 | ECCENTRIC | 2 |
| 38 | 091997 | RETAINING CLIP | * | 23 | 092304 | GUIDE PIN | * | 8 | 092222 | METERING GAUGE | 2 |
| 37 | 091117 | DRIVE SHAFT FOLLOWER | * | 22 | 092604 | NOZZLE | * | 7 | 092620 | 13" COVER ASSEMBLY | 1** |
| 36 | 094216 | PLATE GUARD | 1 | 21 | 092491 | WAVE WASHER | 2 | 6 | 091360 | 13" COVER ASSY (OSC) | ** |
| 35 | 091851 | #10-32 X 1 SET SCREW | 2 | 20 | 091838 | #10-24 X 3/8 HEX HD SCREW | 4 | 5 | 091311 | ASSY, 13-1/4" OSC., LONG S. | 1 |
| 34 | **** | #10-24 SOCKET HEAD SCREW | 4 | 19 | 094215 | 13-1/4" TIE BAR | 2 | 4 | 094250 | 13-1/4" FORM ROLLER W/B | 1 |
| 33 | 091017 | R.H. OSC. END BLOCK | 1 | 18 | 092415 | THRUST WASHER | 1 | 3 | 094240 | 13-1/4" METERING ROLLER W/B | 1 |
| 32 | 091018 | L.H. OSC. END BLOCK | 1 | 17 | 092920 | GEAR CLUTCH ASSY, TK 47 | 1 | 2 | 092210 | L.H. END FRAME ASSY | 1 |
| 31 | 091219 | ALIGNMENT BLOCK | 2 | 16 | 092401 | BEARING | * | 1 | 092200 | R.H. END FRAME ASSY | 1 |
| ITEM# | PART # | DESCRIPTION | QTY | ITEM# | PART # | DESCRIPTION | QTY | ITEM# | PART # | DESCRIPTION | QTY |

