

Date of Installation : _____

Unit Serial Number : _____

Kompac Dealer : _____

Kompac®



A DIVISION OF DAY INTERNATIONAL, INC.



DAY INTERNATIONAL, INC.

Image Transfer Group

Kompac



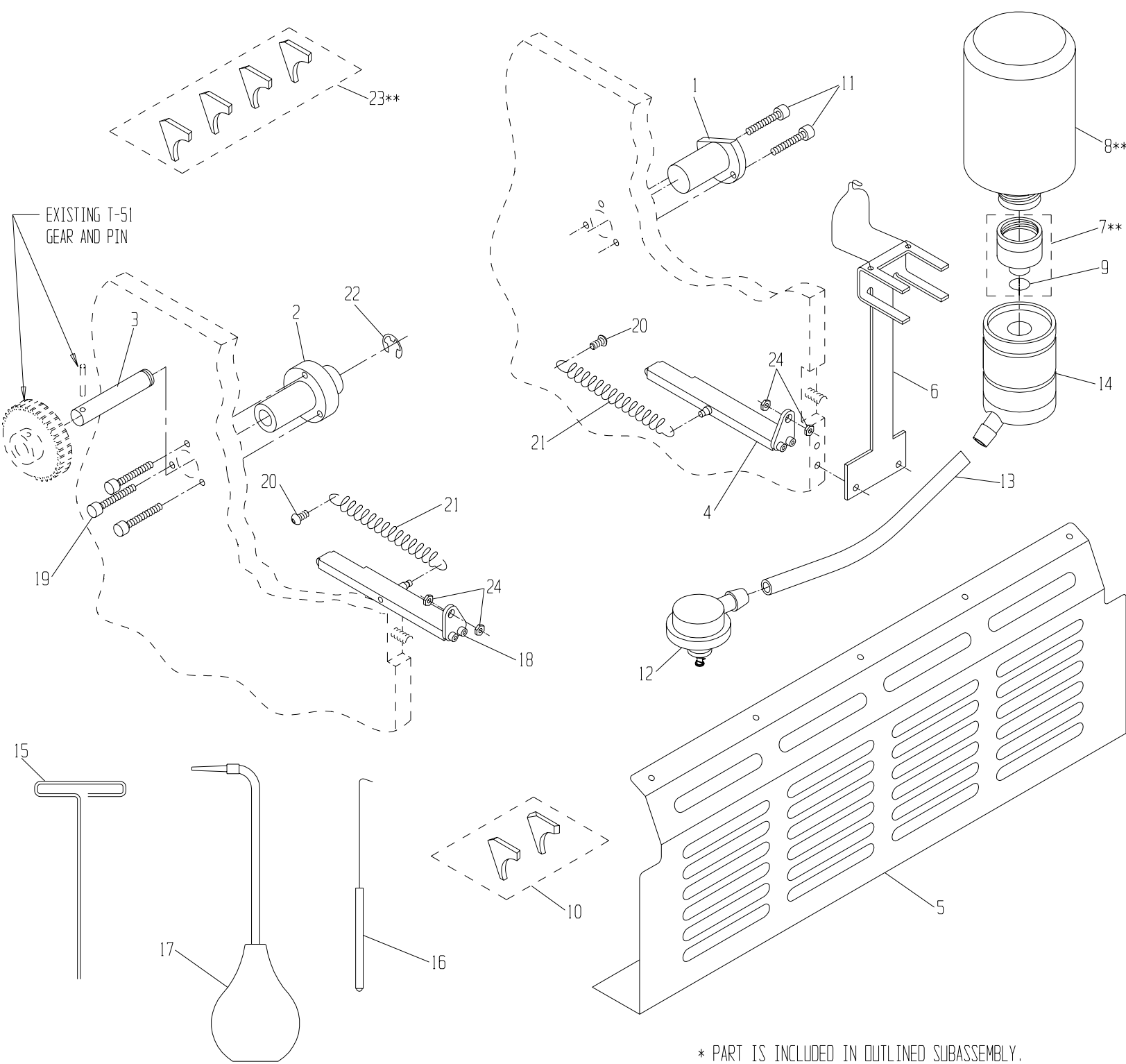
RYB 2728 ST

Parts Catalog # 095832

159 DWIGHT PLACE , FAIRFIELD , NEW JERSEY 07004

TEL: 973-227-8611 / 800-541-5702

FAX: 973-227-7532



* PART IS INCLUDED IN OUTLINED SUBASSEMBLY.
 ** ITEMS ARE NOT PART OF BRACKET KIT.

24	091932	NUT, JAM 1/4-20	4
23	094990	FELT CLEANING SEALS (4)	1
22	091934	E-RING, 7/16	1
21	095837	SPRING, EXTENSION	2
20	091819	SCREW, #10-24 x 1/2 BUT HD	2
19	091828	SCREW, #10-24 x 1 SOC HD	3
18	095824	ASSY, ADJUSTING, L.H.	1
17	092779	ASSY, SYRINGE, LG NECK	1

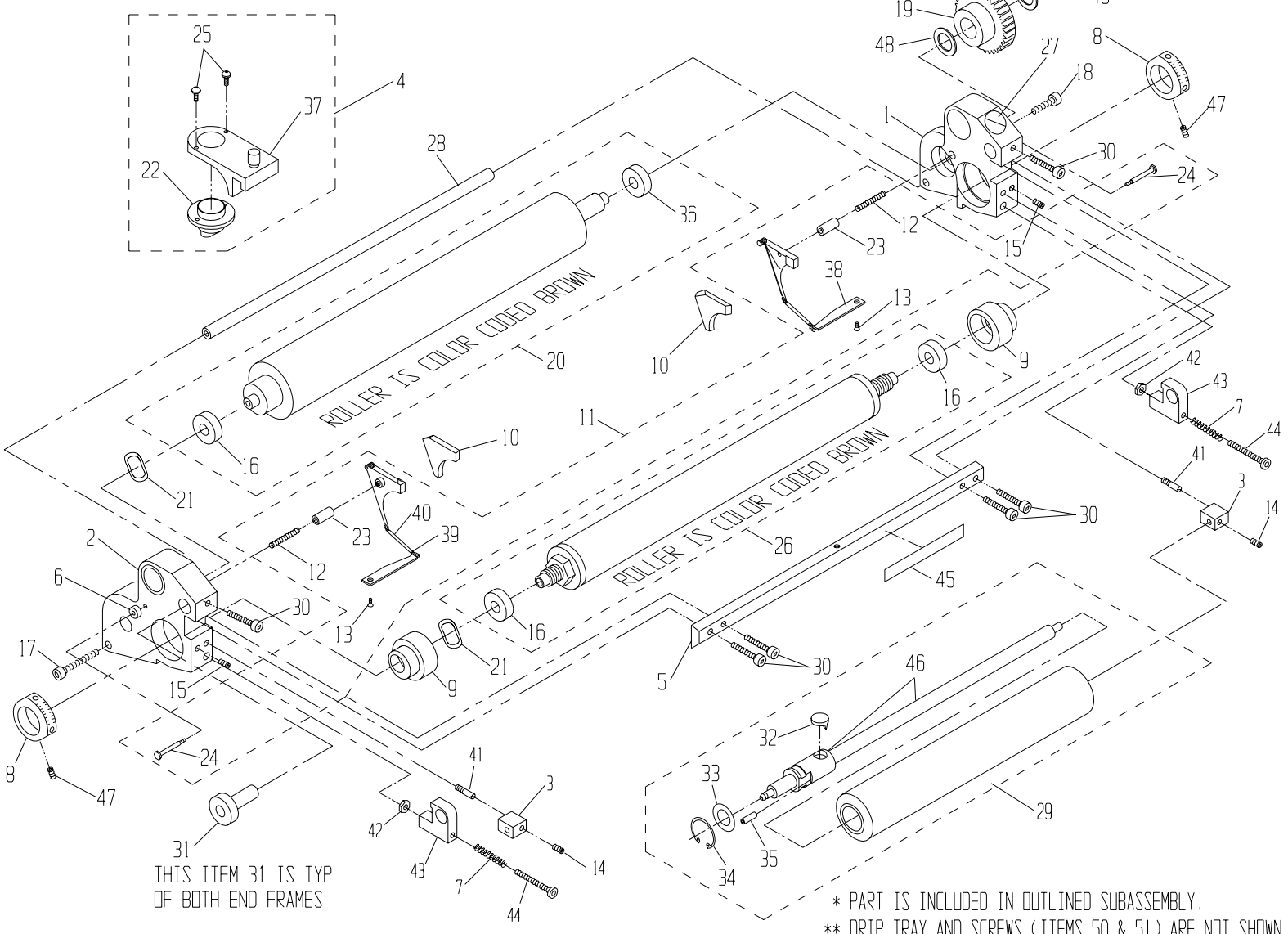
16	092787	HOOK	1
15	090755	3/32" T- WRENCH	1
14	092740	BOTTLE VALVE ASSY	1
13	092756	1/2" I.D. VINYL TUBING	1
12	092750	ADAPTER BASE ASSY	1
11	091868	SCREW, 1/4-20 x 3/4 SOC HD	2
10	092370	SEAL SET (L & R)	1
9	092765	O-RING	*

8	092771	CALIBRATED BOTTLE	1
7	092760	DISPENSING VALVE ASSY	1
6	095861	BRACKET, BOTTLE	1
5	095836	GUARD, SAFETY. 2728	1
4	095834	ASSY, ADJUSTING, R.H.	1
3	095842	SHAFT	1
2	095847	ASSY, HOUSING	1
1	095845	SUPPORT, UNIT, NON-OP	1

ITEM#	PART #	DESCRIPTION	QTY
-------	--------	-------------	-----

ITEM#	PART #	DESCRIPTION	QTY
-------	--------	-------------	-----

ITEM#	PART #	DESCRIPTION	QTY
-------	--------	-------------	-----



51	091816	#10-24 x 3/8 LG BUT HD SCREW	2
50	095838	DRIP TRAY, 2728	1
49	091662	12mm RETAINING RING	1
48	091966	STEEL WASHER	2
47	091888	M5 x 5mm SET SCREW	2
46	091230	SHAFT ASSY	*
45	095854	STICKER, I.D.	1
44	091877	SCREW, 1/4-28 x 1.1/4 SOC HD	2
43	094342	SPRING HOUSING	2
42	091970	NUT 1/4-28	2
41	094343	OSCILLATOR POST	2
40	092259	SPRING COVER	*
39	092236	TAB SPRING	*
38	092234	TAB	*
37	094997	BRACKET, NOZZLE	*
36	092586	BEARING	*
35	091949	SPRING PIN	*
ITEM#	PART #	DESCRIPTION	QTY

34	091997	OSC. RETAINING CLIP	*
33	091965	OSC. RETAINING WASHER	*
32	091111	OSC. DRIVE SHAFT FOLLOWER	*
31	095862	ASSY, ECCENTRIC	2
30	091827	SCREW, 10-24 x 5/8 SOC HD	6
29	091303	11-1/2 OSC. ROLL. PARTS ASSY	1
28	095833	TIE BAR	1
27	092601	SAFETY STICKER	1
26	092520	METERING ROLLER W/B	1
25	091907	#6-32 X 3/8 PHILLIPS HD SCW	*
24	092303	SHOULDER SCREW	*
23	092304	GUIDE PIN	*
22	092604	NOZZLE	*
21	092491	WAVE WASHER	2
20	095827	FORM ROLLER W/B	1
19	092880	RYOBI GEAR CLUTCH ASSY	1
18	091879	SCREW, 1/4-20 x 1.00 SOC. HD	1
ITEM#	PART #	DESCRIPTION	QTY

17	091865	SCREW, 1/4-20 x 1.25 SOC. HD	1
16	092401	BEARING	*
15	091813	#10-24 X 1/2 SET SCREW	2
14	091811	#10-24 X 1/4 SET SCREW	2
13	091802	#3-48 X 1/4 FLAT HD SCREW	*
12	092238	COMPRESSION SPRING	*
11	092290	BACKING PLATE KIT (L & R)	1
10	092370	SEAL SET (L & R)	1
9	092291	ECCENTRIC	2
8	092612	METERING GAUGE	2
7	095698	SPRING, COMPRESSION	2
6	091908	WASHER, SPACER	2
5	095835	TIE PLATE	1
4	098750	BRACKET NOZZLE ASSEMBLY	1
3	094326	ALIGNMENT BLOCK	2
2	095918	ASSY, END FRAME, L.H.	1
1	095919	ASSY, END FRAME, R.H.	1
ITEM#	PART #	DESCRIPTION	QTY