

Date of Installation : \_\_\_\_\_

Unit Serial Number : \_\_\_\_\_

Kompac Dealer : \_\_\_\_\_

# Kompac®



A DIVISION OF DAY INTERNATIONAL, INC.



DAY INTERNATIONAL, INC.

Image Transfer Group

**Kompac®**



## **RYB 3200**

Parts Catalog # 090214

159 DWIGHT PLACE , FAIRFIELD , NEW JERSEY 07004

TEL: 973-227-8611 / 800-541-5702

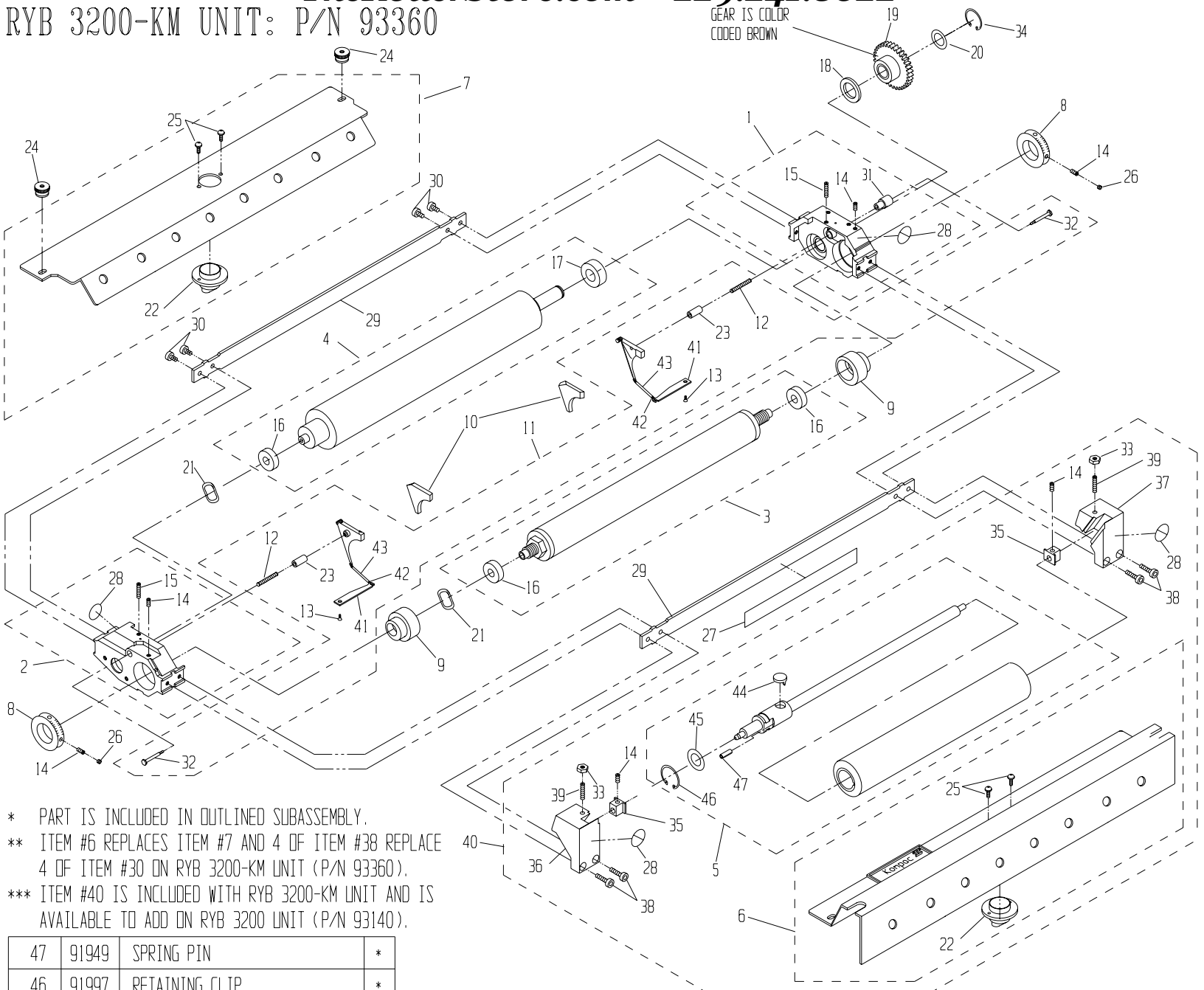
FAX: 973-227-7532

RYB 3200 UNIT: P/N 93140  
 RYB 3200-KM UNIT: P/N 93360

TheRollerStore.com ~ 229.241.8022

PARTS CATALOG #90214 REV D

GEAR IS COLOR  
 CODED BROWN



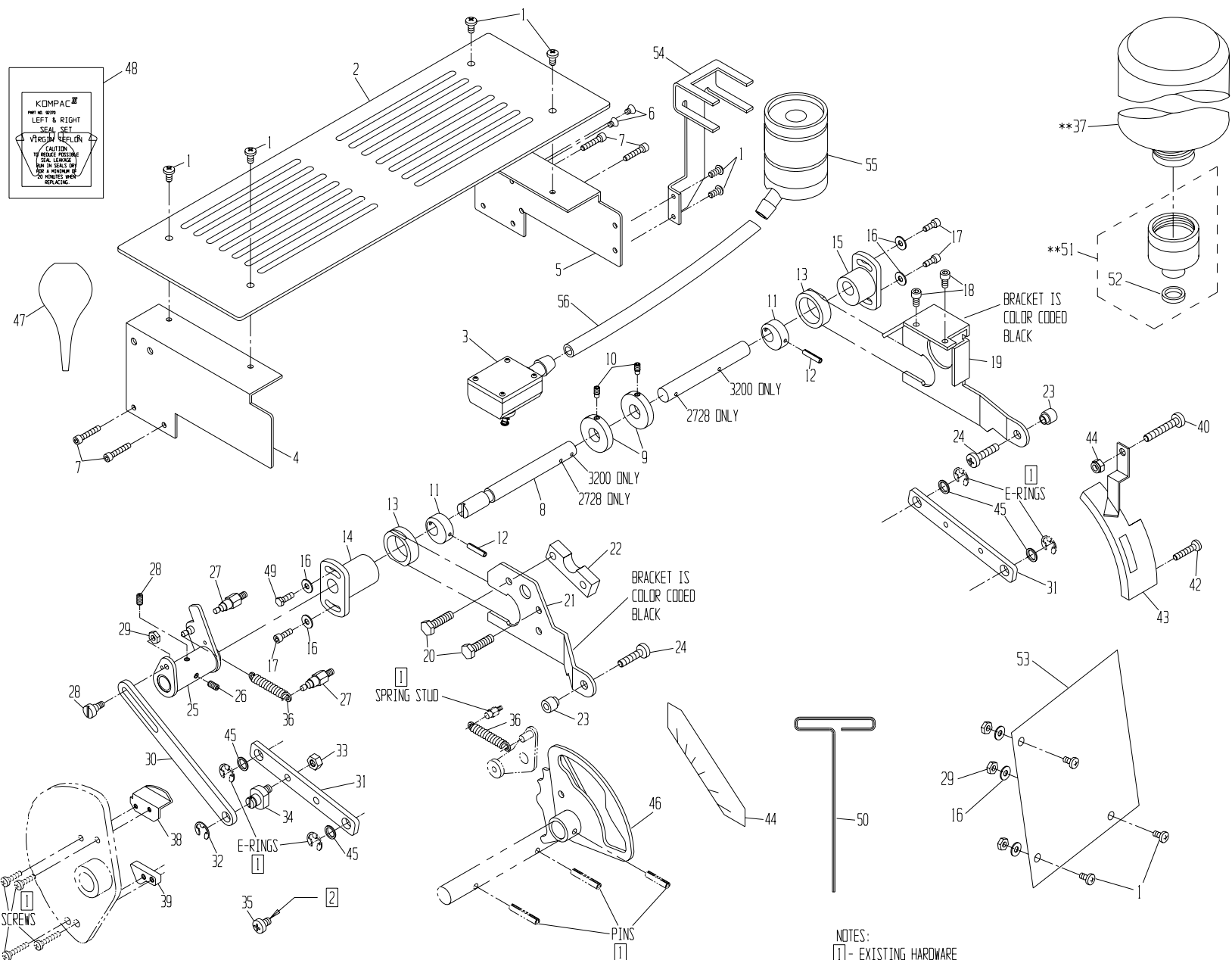
\* PART IS INCLUDED IN OUTLINED SUBASSEMBLY.  
 \*\* ITEM #6 REPLACES ITEM #7 AND 4 OF ITEM #38 REPLACE  
 4 OF ITEM #30 ON RYB 3200-KM UNIT (P/N 93360).  
 \*\*\* ITEM #40 IS INCLUDED WITH RYB 3200-KM UNIT AND IS  
 AVAILABLE TO ADD ON RYB 3200 UNIT (P/N 93140).

47	91949	SPRING PIN	*
46	91997	RETAINING CLIP	*
45	91965	WASHER	*
44	91111	DRIVE SHAFT FOLLOWER	*
43	92259	SPRING COVER	*
42	92236	BACKING PLATE TAB SPRING	*
41	92234	BACKING PLATE TAB	*
40	96540	KOLDIMATE MODEL 40	***
39	91851	#10-32 X 1" SET SCREW	2
38	91829	#10-24 X 11/16 SDC HD SCREW	4**
37	91017	R.H. OSC. END BLOCK	1
36	91018	L.H. OSC. END BLOCK	1
35	91219	ALIGNMENT BLOCK	2
34	91662	RETAINING RING (12 MM)	1
33	91982	#10-32 NUT	2
32	92303	SHOULDER SCREW	*
31	92208	PLUG	*

30	91818	#10-24 X 3/8 SDC HD SCREW	8**
29	92499	12 11/32" TIE BAR	2
28	92601	INWARD NIP SYMBOL	2*
27	92494	WARNING STICKER	1
26	91810	#10-24 X 1/8 SLOT SET SCW	2
25	91806	#6-32 X 3/8 PHILLIPS HD SCW	*
24	92691	COVER NUT	2
23	92304	GUIDE PIN	*
22	92604	NOZZLE	*
21	92491	WAVE WASHER	2
20	91966	WASHER	1
19	92880	GEAR CLUTCH ASSY, RYB 3200	1
18	93943	OUTSIDE THRUST WASHER	1
17	92586	BEARING	*
16	92401	BEARING	*

15	91814	#10-24 X 3/4 STUD	*
14	91811	#10-24 X 1/4 SET SCREW	4*
13	91802	#3-48 X 1/4 FLAT HD SCREW	*
12	92238	COMPRESSION SPRING	*
11	92380	BACKING PLATE KIT (L & R)	1
10	92370	SEAL SET (L & R)	1
9	92291	ECCENTRIC	2
8	92222	METERING GAUGE	2
7	92650	12 11/32" COVER ASS'Y	**
6	91340	12 11/32" COVER ASSY (OSC)	**
5	91304	12 11/32" OSC ROLL PARTS ASSY	1
4	92550	12 11/32" FORM ROLLER W/B	1
3	92540	12 11/32" METERING ROLL W/B	1
2	92210	L.H. END FRAME ASSY	1
1	92330	R.H. END FRAME ASSY	1

ITEM#	PART #	DESCRIPTION	QTY	ITEM#	PART #	DESCRIPTION	QTY	ITEM#	PART #	DESCRIPTION	QTY
-------	--------	-------------	-----	-------	--------	-------------	-----	-------	--------	-------------	-----



\* PART IS INCLUDED IN OUTLINED SUB-ASSEMBLY.  
 \*\* PART IS NOT INCLUDED WITH BRACKET KIT P/N 94070

NOTES:  
 1 - EXISTING HARDWARE  
 2 - THIS SCREW REPLACES LONGER EXISTING SCREW ON OPERATOR SIDE INNER PANEL

56.	92756	1/2" I.D. VINYL TUBING	1
55.	92740	BOTTLE VALVE ASSY	1
54.	94999	BRACKET , BOTTLE	1
53.	93988	GUARD, SAFETY	1
52.	92765	O-RING	*
51.	92760	DISPENSING VALVE ASSY	**
50.	90755	3/32 HEX T-WRENCH	1
49.	91832	10-32 X 1/2 HEX HEAD SCREW	1
48.	92370	TEFLON SEAL SET	1
47.	92778	KOMPAC SYRINGE	1
46.	93950	SINGLE LEVER CAM	1
45.	91956	.400 ID SPACER WASHER	4
44.	93986	OPERATION LABEL	1
43.	93982	GEAR GUARD ASSEMBLY	1
42.	91883	M5x.8x25mm PHIL ROUND HD SCR	1
41.	91973	M6X1 NUT (LOCK)	1
40.	91882	M6x1x35mm PHIL ROUND HD SCREW	1
39.	93956	RYOBI CYLINDER LATCH	1
ITEM	PART NO	DESCRIPTION	QTY

38.	93957	RYOBI MICRO SWITCH CAM	1
37.	92771	CALIBRATED BOTTLE	**
36.	93669	EXTENSION SPRING	2
35.	91886	M6x10mm PHIL ROUND HEAD SCREW	1
34.	94066	RYOBI LINK BRACKET ECCENTRIC	1
33.	91971	1/4-28 LOCK NUT	1
32.	91995	3/8 E-RING	1
31.	93941	RYOBI FORM LINK	2
30.	94057	ACTUATING LINK	1
29.	91969	10-32 LOCK NUT	4
28.	91794	1/4x1/4 SHOULDER SCREW	1
27.	94053	STOP PIN (RYOBI)	2
26.	91852	10-32x3/8 CLIP SET SCREW	2
25.	94060	STOP ASSEMBLY	1
24.	91881	M6x1x25mm PHIL ROUND HD SCREW	2
23.	93980	BRACKET BUSHINGS	2
22.	93653	END FRAME SPACER	1
21.	94071	RYB 3200 LH MOUNTING BRACKET	1
20.	91869	1/4-20x1 HEX HEAD SCREW	2
ITEM	PART NO	DESCRIPTION	QTY

19.	94072	RYB 3200 RH MOUNTING BRACKET	1
18.	91818	10-24x3/8 CAP SCREW	2
17.	91842	10-32x1/2 CAP SCREW	3
16.	91955	3/16 ID WASHER	7
15.	94058	ECCENTRIC BUSHING NON-OP SIDE	1
14.	94059	ECCENTRIC BUSHING OP SIDE	1
13.	94054	RYOBI BRACKET BUSHING	2
12.	94067	5/32x7/8 ROLL PIN	2
11.	94056	ECCENTRIC COLLAR	2
10.	91871	10-32x3/8 BRASS TIP SET SCREW	2
9.	94055	LOCKING COLLAR	2
8.	94064	2728/3200 OPERATION SHAFT	1
7.	91846	10-32x7/8 CAP SCREW	4
6.	91837	8-32x1/4 FLAT HEAD SCREW	2
5.	93974	R.H. SAFETY COVER BRACKET	1
4.	93975	L.H. SAFETY COVER BRACKET	1
3.	92750	ADAPTER BASE ASSY	1
2.	93917	GUARD, PLATE, 3200-W	1
1.	91840	10-32x3/8 BUTTON HEAD SCREW	9
ITEM	PART NO	DESCRIPTION	QTY