

Date of Installation : _____

Unit Serial Number : _____

Kompac Dealer : _____

Kompac®



A DIVISION OF DAY INTERNATIONAL, INC.



DAY INTERNATIONAL, INC.

Image Transfer Group

Kompac



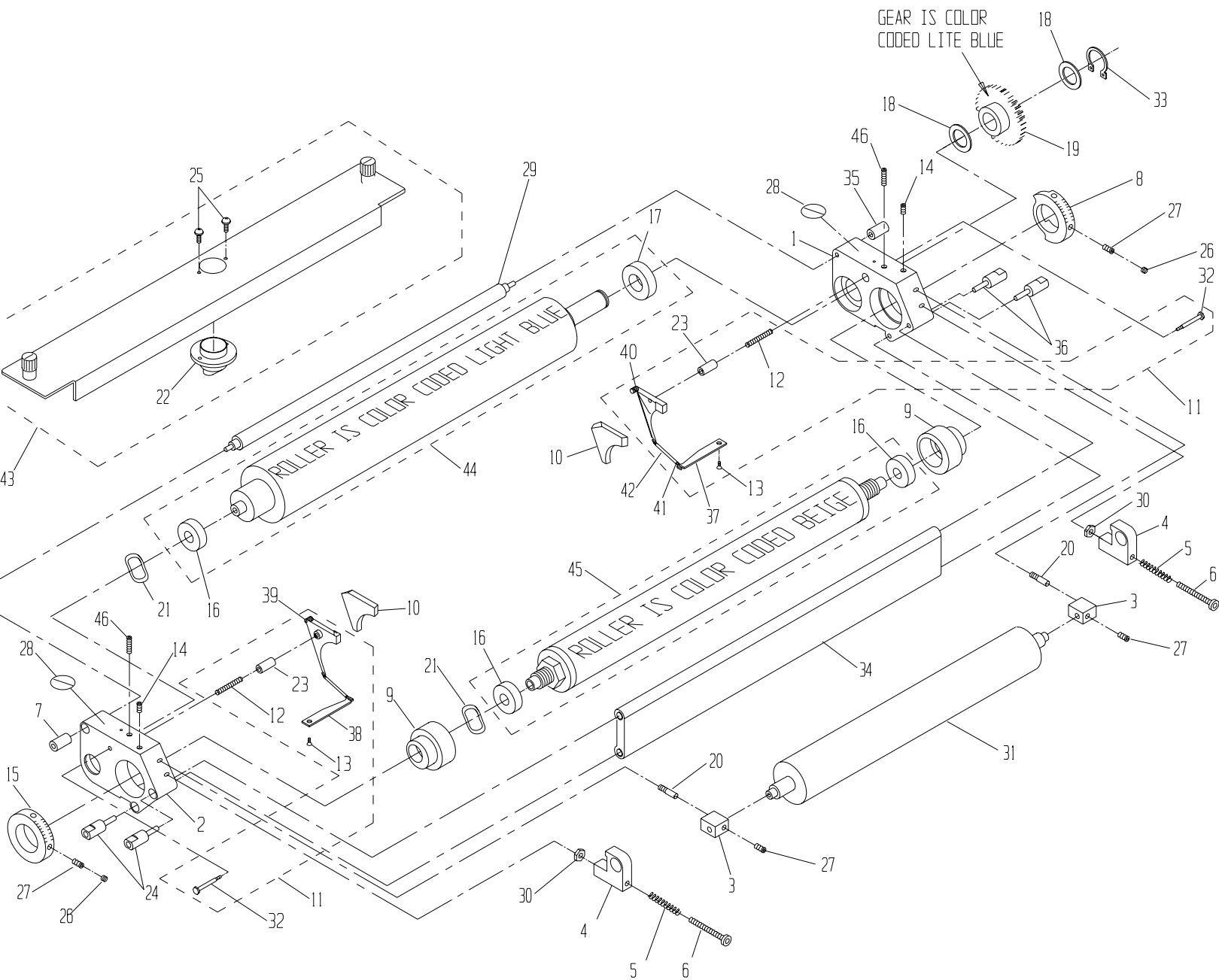
M 1819-2

Parts Catalog # 090382

159 DWIGHT PLACE , FAIRFIELD , NEW JERSEY 07004

TEL: 973-227-8611 / 800-541-5702

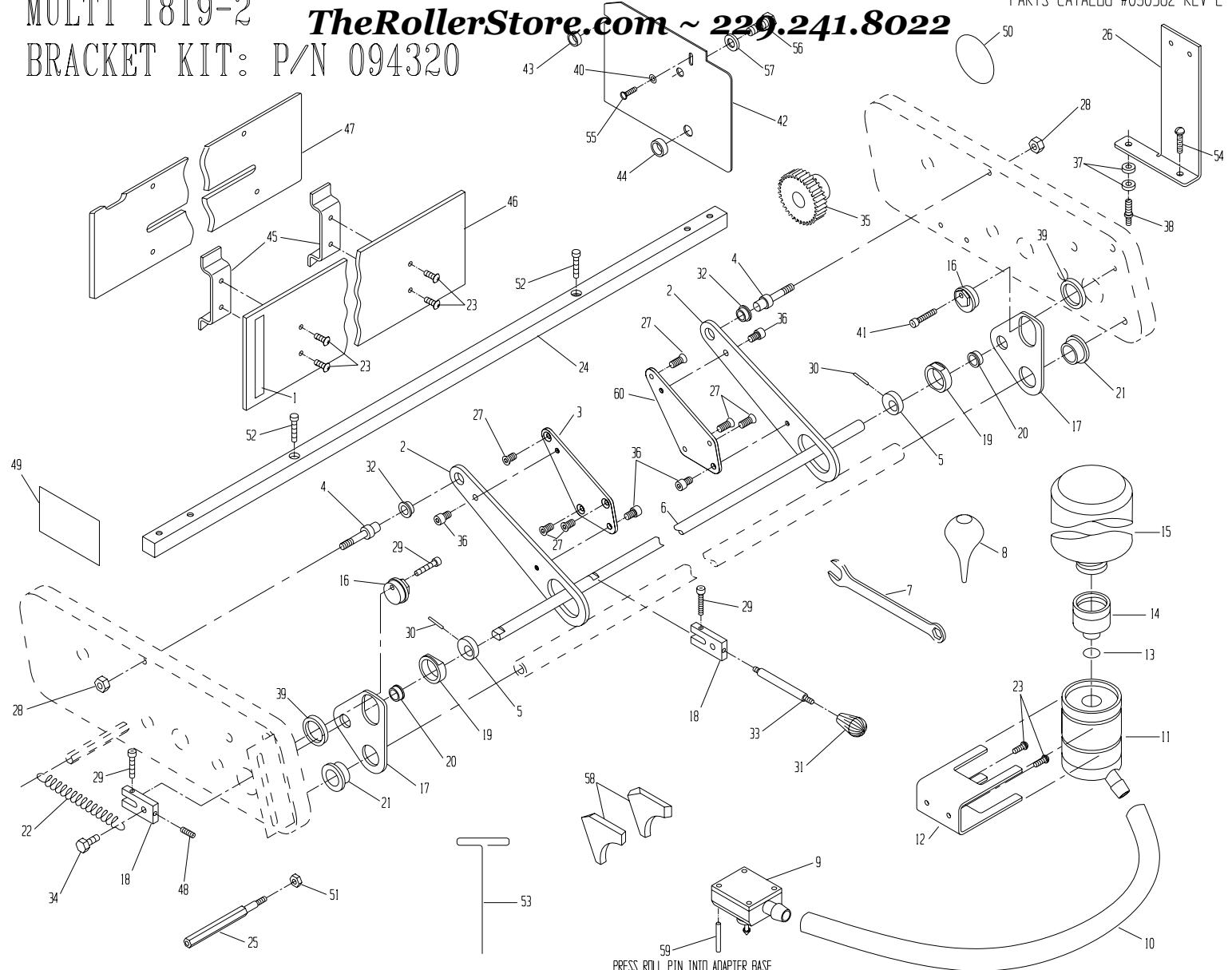
FAX: 973-227-7532



* PART IS INCLUDED IN OUTLINED SUBASSEMBLY

ITEM#	PART #	DESCRIPTION	QTY	ITEM#	PART #	DESCRIPTION	QTY	ITEM#	PART #	DESCRIPTION	QTY
1	094376	R.H. END FRAME	1	16	092401	BEARING	*	31	091313	18 3/8" OSC. ROLLER ASS'Y	1
2	094302	L.H. END FRAME	1	17	092586	BEARING	*	32	092303	SHOULDER SCREW	*
3	094326	ALIGNMENT BLOCK	2	18	091966	STEEL WASHER	2	33	091662	12mm RETAINING RING	1
4	094342	SPRING HOUSING	2	19	091990	GEAR CLUTCH ASSY	1	34	094489	TIE PLATE, 1819-2	1
5	092007	SPRING	2	20	094343	OSCILLATOR POST	2	35	094344	STAND OFF	1
6	091877	1/4-28 X 1.1/2" SOC HD SCREW	2	21	092491	WAVE WASHER	2	36	094487	STAND OFF	2
7	094345	STAND OFF	1	22	092604	NOZZLE	*	37	090701	TAB (GEAR SIDE)	*
8	092225	METERING GAUGE	1	23	092304	GUIDE PIN	*	38	092234	TAB (OP-SIDE)	*
9	092291	ECCENTRIC	2	24	094482	STAND OFF	2	39	092311	BACKING PLATE (OP-SIDE)	*
10	092370	SEAL SET (L.H. & R.H. SEALS)	1	25	091806	#6-32 X 3/8 PHILLIPS PAN HD	*	40	092301	BACKING PLATE (GEAR SIDE)	*
11	090700	SEAL BACKING PLATE KIT	1	26	091810	#10-24 X 1/8 SLOT SET SCW	2	41	092236	TAB SPRING	*
12	092238	COMPRESSION SPRING	*	27	091811	#10-24 X 1/4" SET SCREW	4	42	092259	SPRING COVER	*
13	091802	#3-48 X 1/4 FLAT HD SCREW	*	28	092601	INWARD NIP SYMBOL	2	43	092020	COVER ASSY	1
14	091813	#10-24 X 1/2 SET SCREW	2	29	094346	18 3/8" TIE BAR	1	44	092040	FORM ROLLER ASSY	1
15	092222	METERING GAUGE	1	30	091970	1/4-28 NUT	2	45	094381	METERING ROLLER ASSY	1
								46	091798	SET SCREW, #10-24 X 1	2

BRACKET KIT: P/N 094320



ITEM	PART NO.	DESCRIPTION	QTY.
1	094311	LABEL (ON/OFF)	1
2	094313	UNIT SUPPORT	2
3	094428	PLATE, SUPPORT, L.H.	1
4	094314	PIVOT PLUG	2
5	094315	ECCENTRIC	2
6	094316	SHAFT	1
7	093554	WRENCH	1
8	092778	1 oz. KOMPAC SYRINGE	1
9	092750	ADAPTER BASE ASS'Y	1
10	092756	1/2" I.D. VINYL TUBING	1
11	092740	BOTTLE VALVE ASS'Y	1
12	092749	UNIVERSAL BOTTLE BRACKET	1
13	092765	"O" RING	1
14	092760	DISPENSING VALVE ASS'Y	1
15	092771	CALIBRATED BOTTLE	1
16	094317	LOCKING ECCENTRIC	2
17	094318	PLATE (ECCENTRIC)	2
18	094319	ARM	2
19	094321	BEARING (ECCENTRIC)	2
20	094322	BEARING (SHAFT)	2
21	094323	BEARING (TIE BAR)	2
22	094324	SPRING (EXTENSION)	1
23	091840	#10-32 X 3/8" PHILLIPS HEAD SCREW	6
24	094333	PAN SUPPORT BAR	1
25	094418	GUARD STANDOFF	1
26	094332	BOTTLE SUPPORT BRACKET	1
27	091826	#10-24 X 1/2" FLAT HEAD SOCKET SCREW	6
28	091972	1/4-20 HEX NUT (LOCKING)	2
29	091846	#10-32 X 7/8" SOC. HD. CAP SCREW	3
30	091945	1/8 X 1/2 ROLL PIN	2

ITEM	PART NO.	DESCRIPTION	QTY.
31	094228	KNOB	1
32	093816	FLANGE BEARING	2
33	094351	ARM EXTENSION	1
34	091868	1/4-20 X 3/4" HEX HEAD SCREW	1
35	094328	GEAR, MAIN DRIVE	1
36	091875	1/4-20 X 3/8 SOC. HD. CAP SCREW	4
37	094221	WASHER 1/4" I.D. x 1/2" O.D. x 1/16"	2
38	094366	THREADED COVER STUD	1
39	091984	WASHER, 1/8" THICK	2
40	091955	FLAT WASHER, .200 I.D. x 1/2 O.D.	1
41	091823	#10-24 X 7/8" SOC. HD. CAP SCREW	1
42	094412	SAFETY PLATE	1
43	094413	SPACER 25/64"	1
44	094414	SPACER 15/32"	1
45	094415	GUARD CLIPS	2
46	094416	PLEXY GUARD (LOWER)	1
47	094417	PLEXY GUARD (UPPER)	1
48	091850	#10-32 SET SCREW	1
49	094408	3"x2" RECTANGLE STICKER	1
50	094409	Ø 2" STICKER	1
51	091982	HEX NUT #10-32	1
52	091836	#8-32 X 3/4" LG. SOC. HD. CAP SCREW	2
53	090755	3/32" HEX T-WRENCH	1
54	091831	#10-32 X 3/4 BINDING HD. SCREW	1
55	091835	#8-32 X 1/2 PAN HD. SCREW	1
56	091862	5/16-18 X 3/4 HEX HD. BOLT	1
57	091950	FLAT WASHER, 5/16 I.D. x 5/8 O.D.	1
58	092370	SEAL SET	1
59	091943	3/32 X 1" LG. ROLL PIN	1
60	094429	PLATE, SUPPORT, R.H.	1