

Date of Installation : \_\_\_\_\_

Unit Serial Number : \_\_\_\_\_

Kompac Dealer : \_\_\_\_\_

# Kompac®



A DIVISION OF DAY INTERNATIONAL, INC.



DAY INTERNATIONAL, INC.

Image Transfer Group

**Kompac**



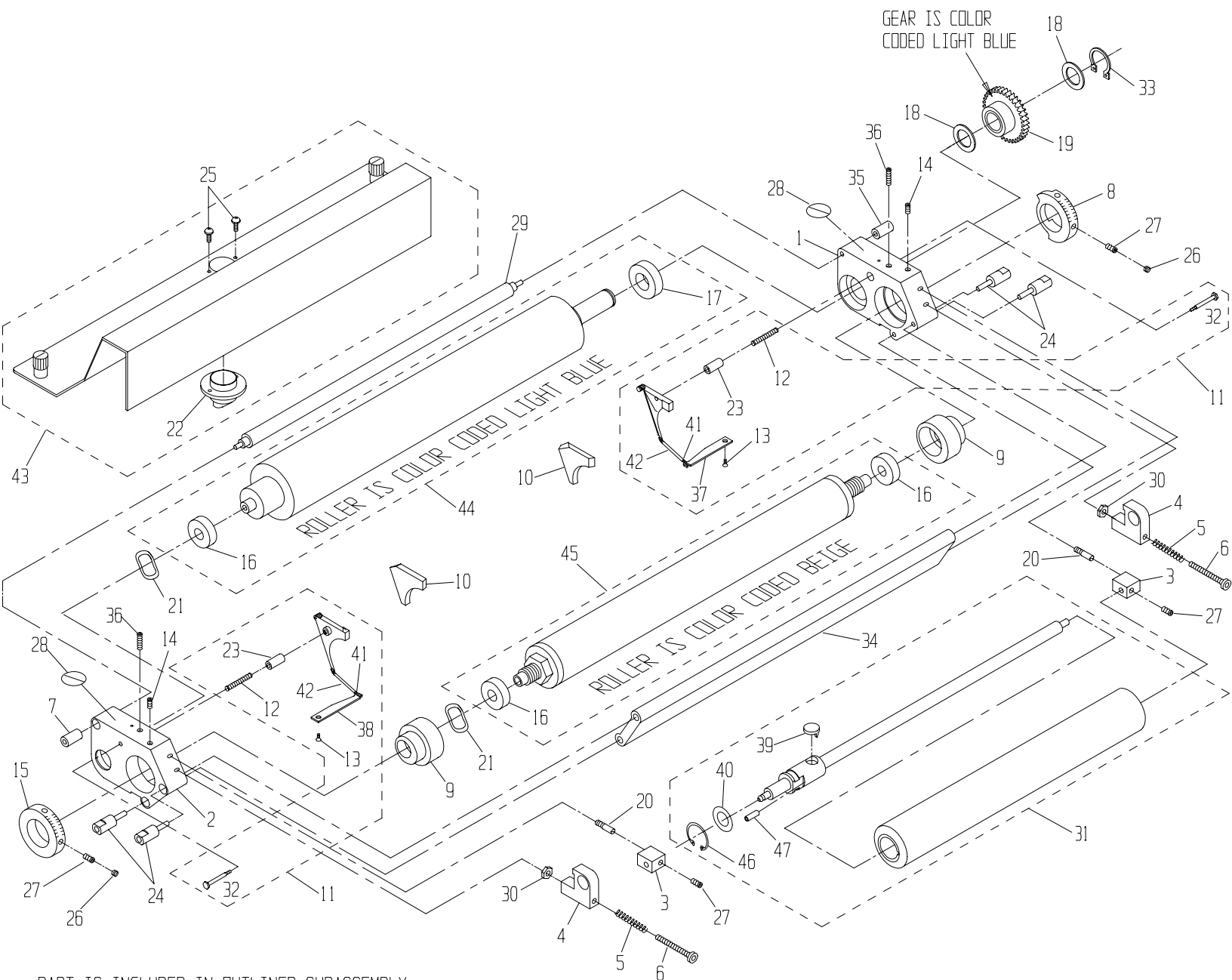
## M 1819-1

Parts Catalog # 097294

159 DWIGHT PLACE , FAIRFIELD , NEW JERSEY 07004

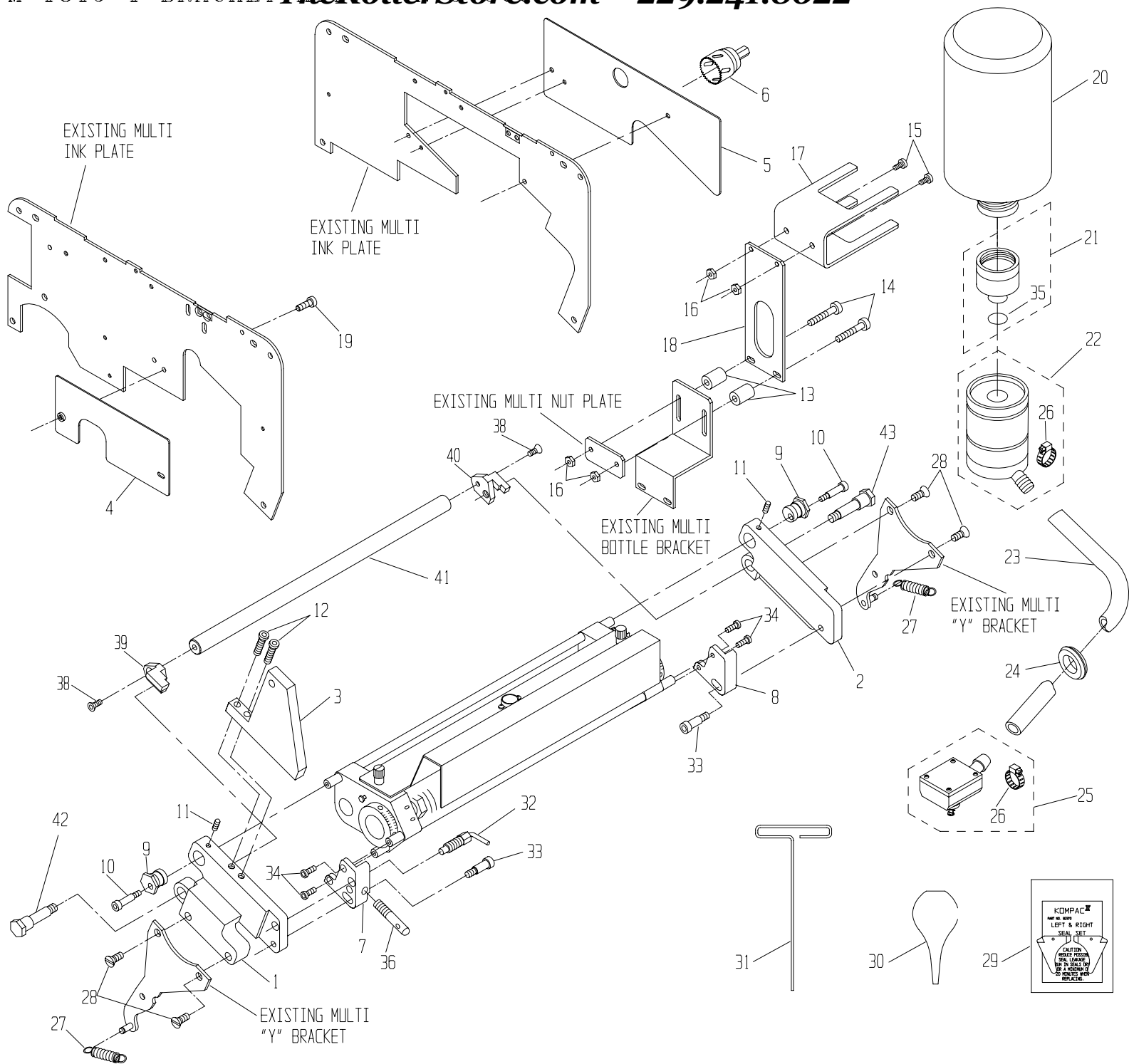
TEL: 973-227-8611 / 800-541-5702

FAX: 973-227-7532



\* PART IS INCLUDED IN OUTLINED SUBASSEMBLY

ITEM#	PART #	DESCRIPTION	QTY	ITEM#	PART #	DESCRIPTION	QTY	ITEM#	PART #	DESCRIPTION	QTY
1	094376	R.H. END FRAME	1	19	091990	GEAR CLUTCH ASSY	1	37	090701	TAB (GEAR SIDE)	*
2	094302	L.H. END FRAME	1	20	094343	OSCILLATOR POST	2	38	092234	TAB (OP-SIDE)	*
3	094326	ALIGNMENT BLOCK	2	21	092491	WAVE WASHER	2	39	091111	OSC. DRIVE SHAFT FOLLOWER	*
4	094342	SPRING HOUSING	2	22	092604	NOZZLE	*	40	091965	OSC. RETAINING WASHER	*
5	092007	COMPRESSION SPRING	2	23	092304	GUIDE PIN	*	41	092236	TAB SPRING	*
6	091877	1/4-28x1-1/2 SDC HD CAP SCW	2	24	095175	TIE PLATE STANDOFF (1-9/16)	4	42	092259	SPRING COVER	*
7	095173	STAND-OFF (1- 1/16" LONG)	1	25	091806	6-32 x 3/8 PHIL PAN HD SCW	*	43	095930	COVER ASSY	1
8	092225	METERING GAUGE	1	26	091810	10-24 x 1/8 SLOT SET SCREW	2	44	092040	FORM ROLLER ASSY	1
9	092291	ECCENTRIC	2	27	091811	10-24 x 1/4 SET SCREW	4	45	094381	METERING ROLLER ASSY	1
10	092370	KOMPAC SEAL SET (L. & R.H.)	1	28	092601	INWARD NIP SYMBOL	2	46	091997	OSC. RETAINING CLIP	*
11	090700	SEAL BACKING PLATE KIT	1	29	094346	18-3/8" TIE BAR	1	47	091949	SPRING PIN	*
12	092238	COMPRESSION SPRING	*	30	091970	1/4-28 NUT	2				
13	091802	3-48 x 1/4 FLAT HD SCREW	*	31	091313	18-3/8" OSC. ROLLER ASSY	1				
14	091813	10-24 X 1/2 SET SCREW	2	32	092303	SHOULDER SCREW	*				
15	092222	METERING GAUGE	1	33	091662	12mm RETAINING RING	1				
16	092401	BEARING	*	34	094483	TIE PLATE, M 1819-1	1				
17	092586	BEARING	*	35	095174	STAND-OFF (1-1/2" LONG)	1				
18	091966	STEEL WASHER	2	36	091798	10-24 x 1 SET SCREW	2				



\* PART IS INCLUDED IN OUTLINED SUBASSEMBLY

\*\* ITEMS 15,16,18,20,21,22,23 & 25 ARE NOT INCLUDED IN THE BRACKET KIT

ITEM#	PART #	DESCRIPTION	QTY
1	095161	L.H. MOUNTING BRACKET	1
2	095162	R.H. MOUNTING BRACKET	1
3	095165	LOCKOUT BRACKET	1
4	095185	L.H. SAFETY PLATE	1
5	095186	R.H. SAFETY PLATE	1
6	092644	1 1/4" HOLE SAW	1
7	095163	L.H. MOUNTING BLOCK	1
8	095164	R.H. MOUNTING BLOCK	1
9	095172	BRACKET ECCENTRIC	2
10	091715	5/16 x 3/4 SHOULDER SCREW	2
11	091839	10-32 x 1/4 SET SCREW	2
12	091866	1/4-20 x 1 LOW HD CAP SCW	2
13	093654	SPACER	2
14	091853	10-32 x 1 1/8 CAP SCREW	2

ITEM#	PART #	DESCRIPTION	QTY
15	091840	10-32 x 3/8 PHILLIPS HD SCW	2
16	091969	10-32 LOCK NUT	4
17	092749	UNIVERSAL BOTTLE BRACKET	1
18	092748	UNIVERSAL BRACKET	1
19	091842	10-32 x 5/8 CAP SCREW	1
20	092771	ROUND CALIBRATED BOTTLE	1
21	092760	DISPENSING VALVE ASSY	1
22	092740	BOTTLE VALVE ASSY	1
23	092756	1/2" VINYL TUBING	1
24	099627	1 1/4" RUBBER GROMMET	1
25	092750	ADAPTOR BASE ASSY	1
26	091911	ADJUSTABLE HOSE CLAMP	*
27	093669	SPRING	2
28	091885	1/4-20 x 5/8 FLAT HD SCREW	4

ITEM#	PART #	DESCRIPTION	QTY
29	092370	KOMPAC SEAL SET	1
30	092778	KOMPAC SYRINGE	1
31	090755	3/32 T-WRENCH	1
32	095178	RETRACTABLE SPRING PLUNGER	1
33	091913	5/16 x 5/8 SHOULDER SCREW	2
34	091915	10-24 x 1/2 LOW HD CAP SCW	4
35	092765	VALVE BODY O-RING	*
36	095176	LIFT HANDLE	1
38	091826	10-24 x 1/2 FLAT HD SCREW	2
39	095166	L.H. TIE BAR BRACKET	1
40	095167	R.H. TIE BAR BRACKET	1
41	094355	TIE BAR	1
42	095169	L.H. SHOULDER BOLT	1
43	095171	R.H. SHOULDER BOLT	1