

Date of Installation : _____

Unit Serial Number : _____

Kompac Dealer : _____

Kompac®



A DIVISION OF DAY INTERNATIONAL, INC.



DAY INTERNATIONAL, INC.

Image Transfer Group

Kompac



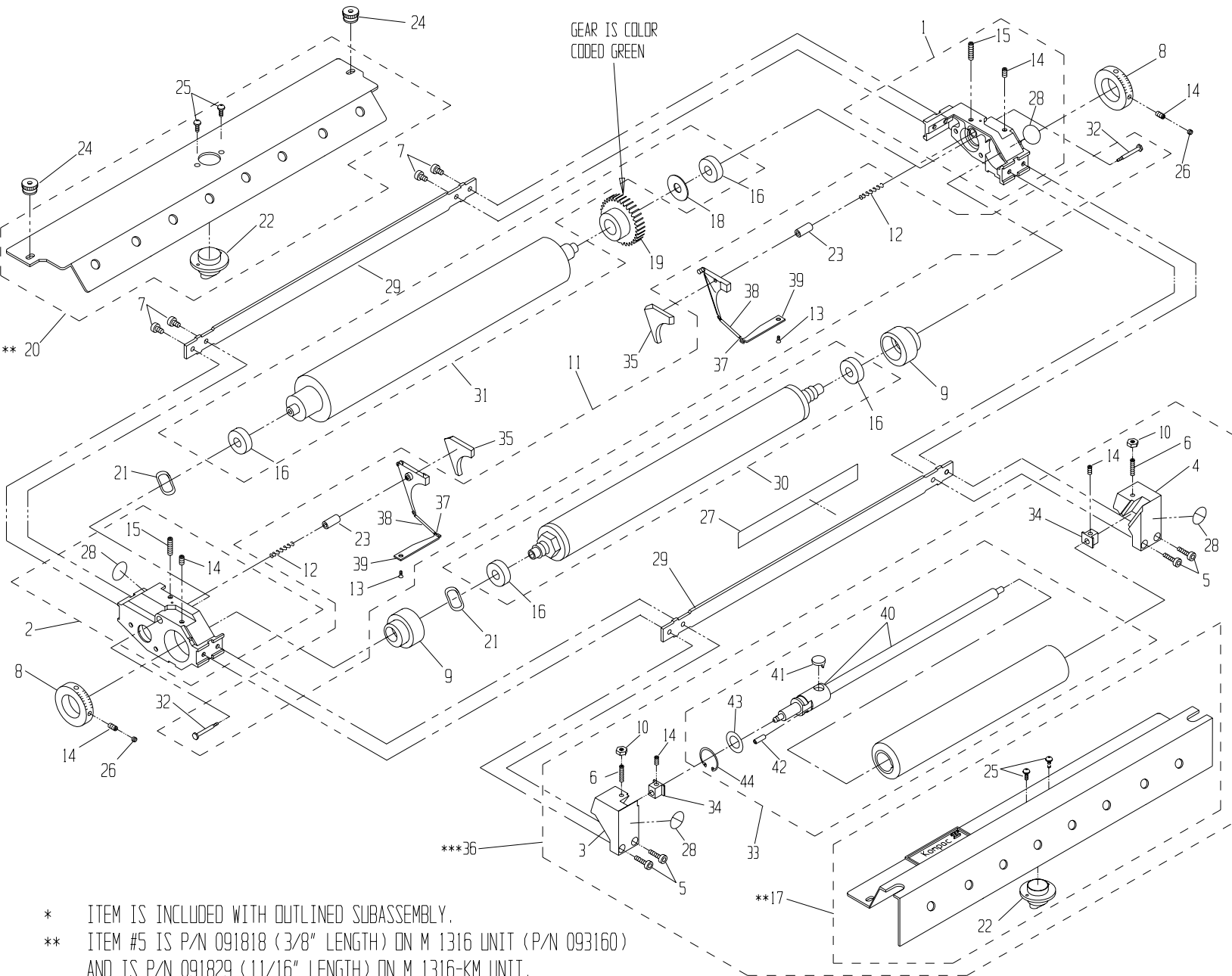
M 1316

Parts Catalog # 090262

159 DWIGHT PLACE , FAIRFIELD , NEW JERSEY 07004

TEL: 973-227-8611 / 800-541-5702

FAX: 973-227-7532



* ITEM IS INCLUDED WITH OUTLINED SUBASSEMBLY.

** ITEM #5 IS P/N 091818 (3/8" LENGTH) ON M 1316 UNIT (P/N 093160) AND IS P/N 091829 (11/16" LENGTH) ON M 1316-KM UNIT.

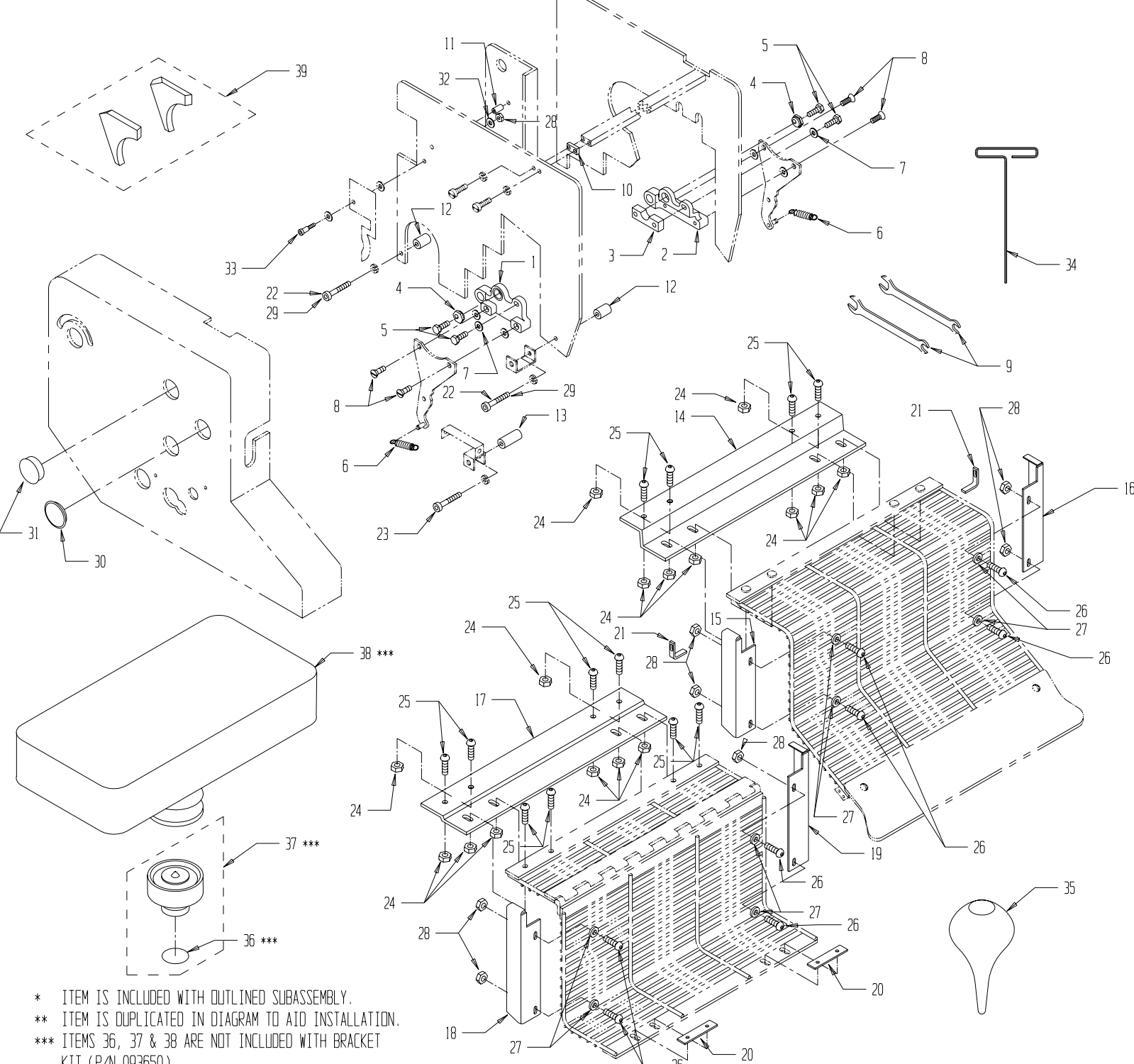
*** ITEM #17 REPLACES ITEM #20 ON M 1316-KM UNIT (P/N 93370).

**** ITEM #36 IS INCLUDED WITH M 1316-KM UNIT AND IS AVAILABLE TO ADD ON M 1316 UNIT.

44	091997	OSC. RETAINING CLIP	*
43	091965	OSC. RETAINING WASHER	*
42	091949	SPRING PIN	*
41	091117	OSC. DRIVE SHAFT FOLLOWER	*
40	091261	SHAFT ASSY S.S.	*
39	092234	TAB	*
38	092259	SPRING COVER	*
37	092236	TAB SPRING	*
36	096560	KOLORMATE MODEL 60	****
35	092370	SEAL SET	1
34	091219	ALIGNMENT BLOCK	2
33	091306	ASSY, 13" OSC., LONG STROKE	1
32	092303	SHOULDER SCREW	*
31	092470	13" FORM ROLLER ASSY	1
ITEM#	PART #	DESCRIPTION	QTY

30	092460	13" METERING ROLLER ASSY	1
29	092496	13" TIE BAR	2
28	092601	INWARD NIP SYMBOL	2*
27	092494	WARNING STICKER	1
26	091810	#10-24 X 1/8 SLOT SET SCREW	2
25	091806	#6-32 X 3/8 PHIL HD SCREW	*
24	092691	COVER NUT	2
23	092304	GUIDE PIN	*
22	092604	NOZZLE	*
21	092491	WAVE WASHER	2
20	092620	UNIT COVER ASSY	***
19	092910	GEAR CLUTCH ASSY	1
18	092415	THRUST WASHER	*
17	091350	16" OSCILLATOR COVER ASSY	***
16	092401	BEARING	*
ITEM#	PART #	DESCRIPTION	QTY

15	091814	#10-24 X 3/4 STUD	*
14	091811	#10-24 X 1/4 SET SCREW	4*
13	091802	#3-48 X 1/4 FLAT HD SCREW	*
12	092238	COMPRESSION SPRING	*
11	092290	BACKING PLATE KIT (L & R)	1
10	091982	#10-32 NUT	2
9	092291	ECCENTRIC	2
8	092222	METERING GAUGE	2
7	091818	#10-24 X 3/8 SDC HD SCREW	4
6	091851	SOCKET HD SCREW	2
5	**	#10-24 SOCKET HD CAP SCREW	4
4	091017	R.H. OSC. END BLOCK	1
3	091018	L.H. OSC. END BLOCK	1
2	092210	L.H. END FRAME ASSY	1
1	092200	R.H. END FRAME ASSY	1
ITEM#	PART #	DESCRIPTION	QTY



* ITEM IS INCLUDED WITH OUTLINED SUBASSEMBLY.
 ** ITEM IS DUPLICATED IN DIAGRAM TO AID INSTALLATION.
 *** ITEMS 36, 37 & 38 ARE NOT INCLUDED WITH BRACKET KIT (P/N 093650).

39	092370	SEAL SET (L.H. & R.H.)	1
38	092777	LOW PROFILE QUART BOTTLE	***
37	092780	LOW PROF. DISP. VALVE ASSY	***
36	092765	O-RING	*
35	092778	KOMPAC SYRINGE	1
34	090755	3/32" HEX T-WRENCH	1
33	091795	1/4" x 1/2" SHOULDER SCREW	1
32	091955	NO. 10 WASHER	1
31	093659	1 3/8" DIA. PLUG	1
30	093658	1 5/16" DIA. PLUG	1
29	091874	1/4-28 x 1" CAP HD SCREW	2
28	091968	10-24 LOCK NUT	5**
27	091961	5/8" WASHER	4**

26	091819	10-24 x 1/2" BUTTON HD SCW	4**
25	091859	1/4-20 x 3/4" BUTTON HD SCW	8**
24	091972	1/4-20 LOCK NUT	8**
23	091848	10-32 x 1 3/4" CAP HD SCREW	1
22	091879	1/4-20 x 1" CAP HD SCREW	2
21	093665	ONE COLOR STRAP	2
20	093666	SAFETY COVER STRAP	2
19	093664	TWO COLOR R.H. FLAP	1
18	093663	TWO COLOR L.H. FLAP	1
17	093668	TWO COLOR EXTENSION	1
16	093662	ONE COLOR R.H. FLAP	1
15	093661	ONE COLOR L.H. FLAP	1
14	093667	ONE COLOR EXTENSION	1

13	093655	COVER SPACER	1
12	093654	SHORT COVER SPACER	2
11	093657	INKER SPACER	1
10	093656	SAFETY COVER SPACER	1
9	093555	KOMPAC WRENCH	2
8	091885	1/4-20 x 5/8" FLAT HD SCREW	4
7	091962	NO. 12 WASHER	2
6	093669	SPRING	2
5	091869	1/4-20 x 1" HEX HEAD SCREW	4
4	093543	BRACKET ECCENTRIC	2
3	093653	END FRAME SPACER	1
2	093652	R.H. MOUNTING BRACKET	1
1	093651	L.H. MOUNTING BRACKET	1

ITEM#	PART #	DESCRIPTION	QTY
-------	--------	-------------	-----