

Date of Installation : _____

Unit Serial Number : _____

Kompac Dealer : _____

Kompac®



A DIVISION OF DAY INTERNATIONAL, INC.



DAY INTERNATIONAL, INC.

Image Transfer Group

Kompac



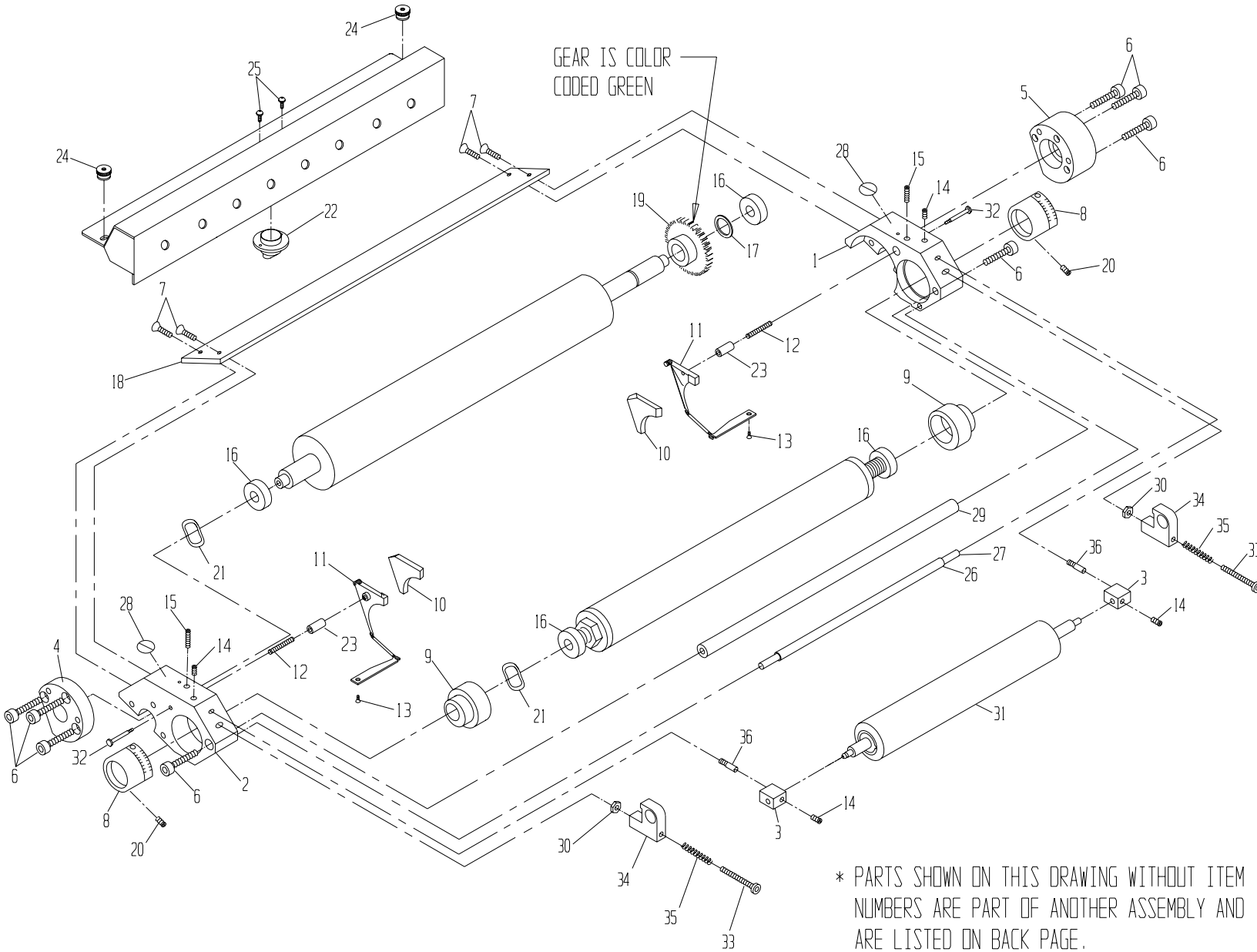
M 1316 IPC

Parts Catalog # 090092

159 DWIGHT PLACE , FAIRFIELD , NEW JERSEY 07004

TEL: 973-227-8611 / 800-541-5702

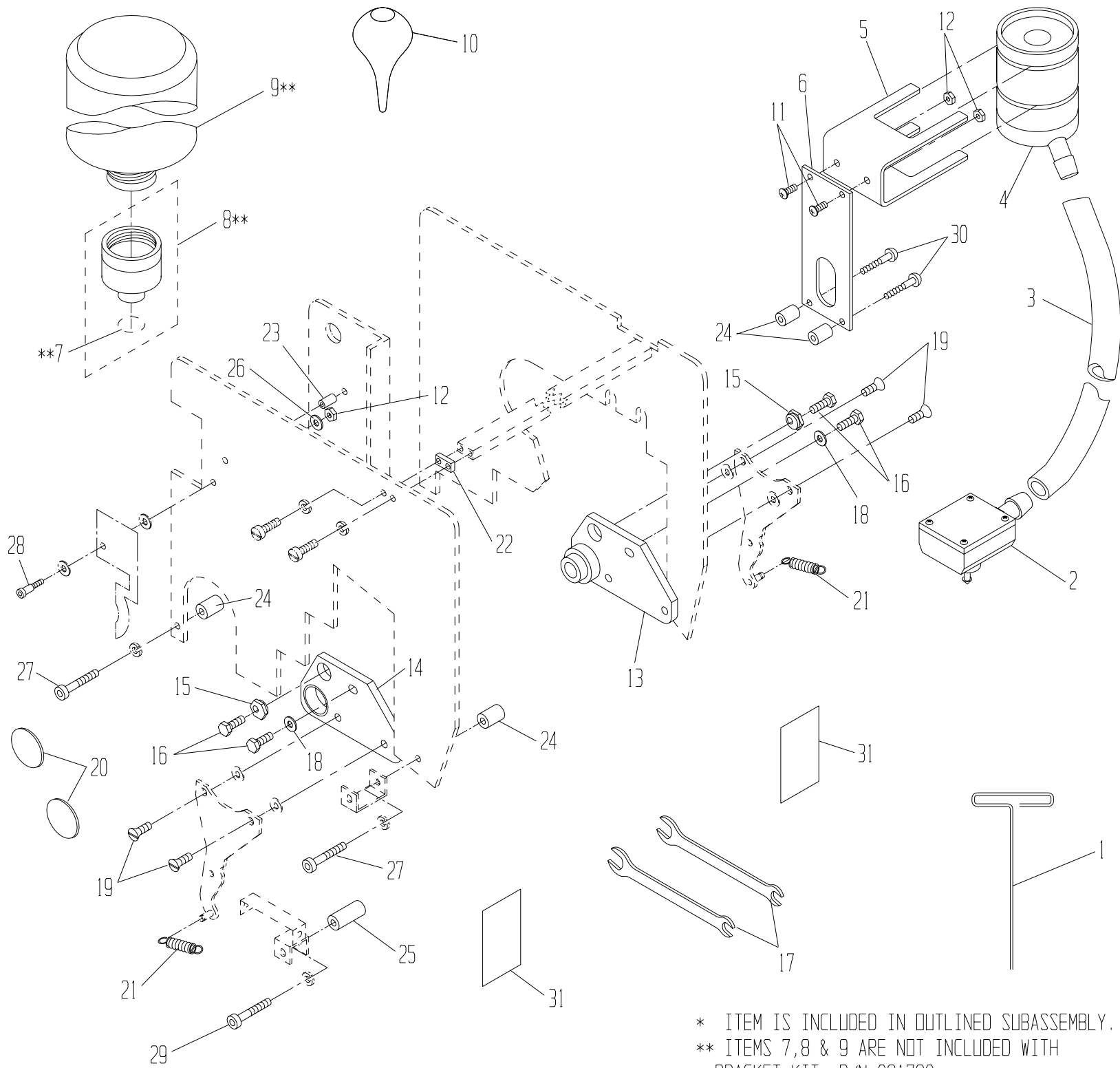
FAX: 973-227-7532



* PARTS SHOWN ON THIS DRAWING WITHOUT ITEM NUMBERS ARE PART OF ANOTHER ASSEMBLY AND ARE LISTED ON BACK PAGE.

ITEM#	PART #	DESCRIPTION	QTY
1	094662	R.H. END FRAME	1
2	094661	L.H. END FRAME	1
3	094326	ALIGNMENT BLOCK	2
4	094663	L.H. END FRAME CAP	1
5	094664	R.H. END FRAME CAP	1
6	091865	1/4-20 SDC HD SCREW	8
7	091826	#10-24 FLAT HD SCREW	4
8	092612	METERING GAUGE	2
9	092291	ECCENTRIC	2
10	092370	SEAL SET (L.H. & R.H. SEALS)	1
11	092380	SEAL BACKING PLATE KIT	1
12	092238	COMPRESSION SPRING	2
13	091802	#3-48 X 1/4 FLAT HD SCREW	2
14	091811	#10-24 X 1/4 SET SCREW	4
15	091814	#10-24 X 3/4 STUD	2
16	092401	BEARING	4
17	094396	THRUST WASHER	1
18	094667	UNIT SUPPORT PLATE	1

ITEM#	PART #	DESCRIPTION	QTY
19	092910	GEAR CLUTCH ASSY	1
20	091888	M5 X 5mm SET SCREW	2
21	092491	WAVE WASHER	2
22	092604	NOZZLE	1
23	092304	GUIDE PIN	2
24	092691	COVER NUT	2
25	091806	#6-32 X 3/8 PHILLIPS PAN HD	2
26	094656	TEFLON TUBE	1
27	094657	SAFETY ROD	1
28	092601	INWARD NIP SYMBOL	2
29	094666	TIE BAR	1
30	091970	1/4-28 NUT	2
31	091306	ASSY, 13" OSC., LONG STROKE	1
32	092303	SHOULDER SCREW	2
33	091877	1/4-28 x 1.1/4 LG. SDC. HD. CAP SCREW	2
34	094342	SPRING HOUSING	2
35	095698	COMPRESSION SPRING	2
36	094343	OSCILLATOR POST	2

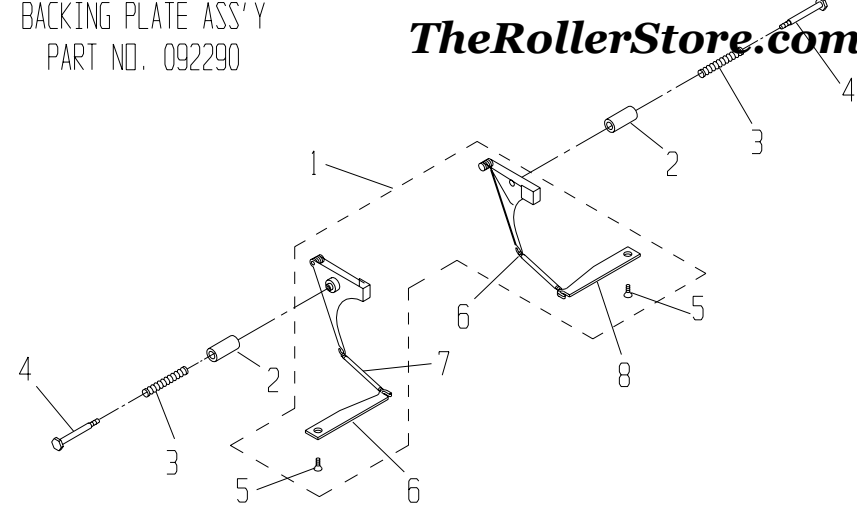


* ITEM IS INCLUDED IN OUTLINED SUBASSEMBLY.
 ** ITEMS 7, 8 & 9 ARE NOT INCLUDED WITH BRACKET KIT, P/N 091780.

ITEM	PART NO.	DESCRIPTION	QTY.
1	090755	3/32" T-WRENCH	1
2	092750	ADAPTER BASE ASS'Y	1
3	092756	1/2" I.D. VINYL TUBING	1
4	092740	BOTTLE VALVE ASS'Y	1
5	092749	UNIVERSAL BOTTLE BRACKET	1
6	092748	UNIVERSAL BRACKET	1
7	092765	O-RING	*
8	092760	DISPENSING VALVE ASS'Y	*
9	092771	CALIBRATED BOTTLE	*
10	092778	1 oz. SYRINGE	1
11	091819	10-24 BUTTON HD. SCREW	2

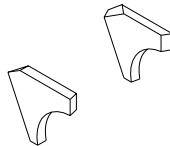
ITEM	PART NO.	DESCRIPTION	QTY.
12	091968	10-24 LOCK NUT	3
13	094670	MTG. BRKT. ASSY (R.H.)	1
14	094660	MTG. BRKT. ASSY (L.H.)	1
15	093543	BRACKET ECCENTRIC	2
16	091868	1/4-20 HEX HD. SCREW	4
17	093555	KOMPAC WRENCH	2
18	091962	WASHER (NO. 12)	2
19	091861	1/4-20 FLAT HD. SCREW	4
20	094409	2" DIA STICKER	2
21	093669	SPRING	2

ITEM	PART NO.	DESCRIPTION	QTY.
22	093656	M 1316 SAFETY CVR SPACER	1
23	093657	M 1316 INKER SPACER	1
24	093654	M 1316 COVER SPACER SHORT	4
25	093655	M 1316 COVER SPACER	1
26	091955	WASHER #10	1
27	091874	1/4-28 SOC HD CAP SCREW	2
28	091795	SHOULDER SCREW	1
29	091848	10-32 SOC HD CAP SCREW	1
30	091815	10-24 BUTTON HD SCREW	2
31	094408	RECT. STICKER	2

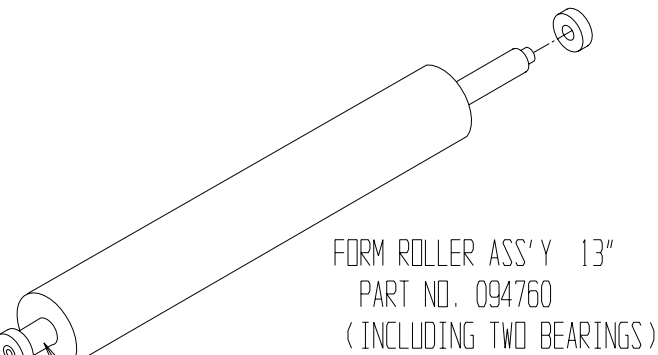


ITEM#	PART #	DESCRIPTION	QTY
1	092380	L.H. & R.H. BACKING PLATES	1
2	092304	GUIDE PIN	2
3	092238	COMPRESSION SPRING	2
4	092303	SHOULDER BOLT	2
5	091802	#3-48 x 1/4" FLAT HEAD SCREW	*
6	092236	TAB SPRING	*
7	092259	SPRING COVER	*
8	092234	TAB	*

* ITEM IS INCLUDED WITH OUTLINED SUBASSEMBLY.

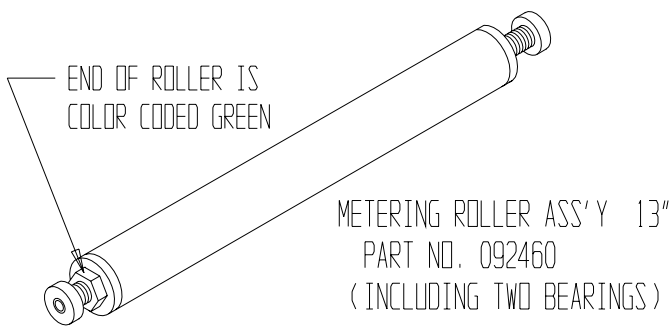


L.H. & R.H. VIRGIN SEAL SET
PART NO. 092370



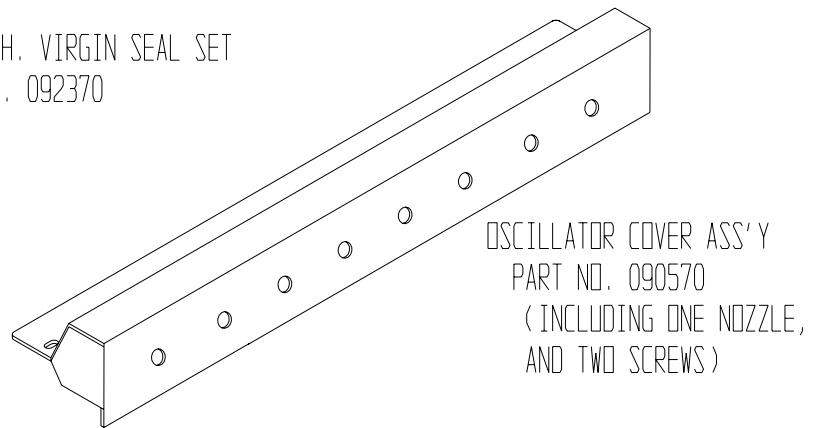
FORM ROLLER ASS'Y 13"
PART NO. 094760
(INCLUDING TWO BEARINGS)

END OF ROLLER IS COLOR CODED
GREEN WITH WHITE STRIPE

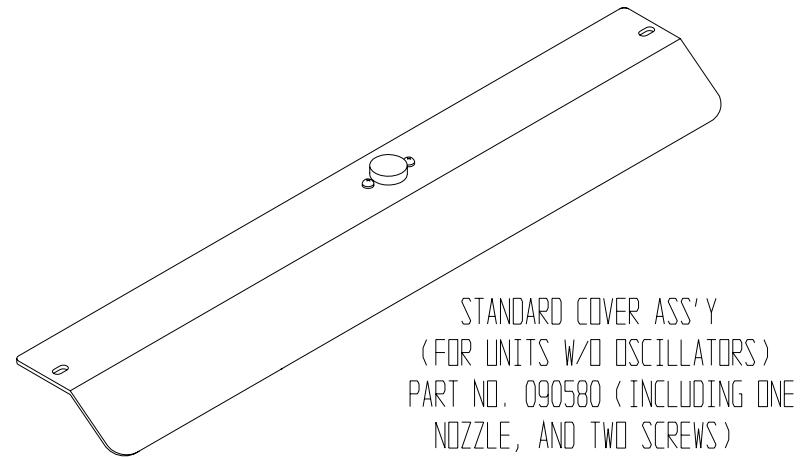


METERING ROLLER ASS'Y 13"
PART NO. 092460
(INCLUDING TWO BEARINGS)

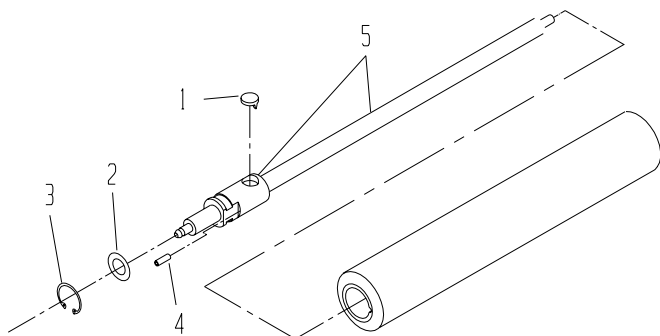
END OF ROLLER IS
COLOR CODED GREEN



OSCILLATOR COVER ASS'Y
PART NO. 090570
(INCLUDING ONE NOZZLE,
AND TWO SCREWS)



STANDARD COVER ASS'Y
(FOR UNITS W/O OSCILLATORS)
PART NO. 090580 (INCLUDING ONE
NOZZLE, AND TWO SCREWS)



OSCILLATOR ROLLER ASS'Y
PART NO. 091306

ITEM#	PART #	DESCRIPTION	QTY
1	091111	DRIVE SHAFT FOLLOWER	1
2	091965	RETAINING WASHER	1
3	091997	RETAINING CLIP	1
4	091949	SPRING PIN	1
5	091260	SHAFT ASSY	1