

Date of Installation : \_\_\_\_\_

Unit Serial Number : \_\_\_\_\_

Kompac Dealer : \_\_\_\_\_

# Kompac®



A DIVISION OF DAY INTERNATIONAL, INC.



DAY INTERNATIONAL, INC.

Image Transfer Group

**Kompac®**



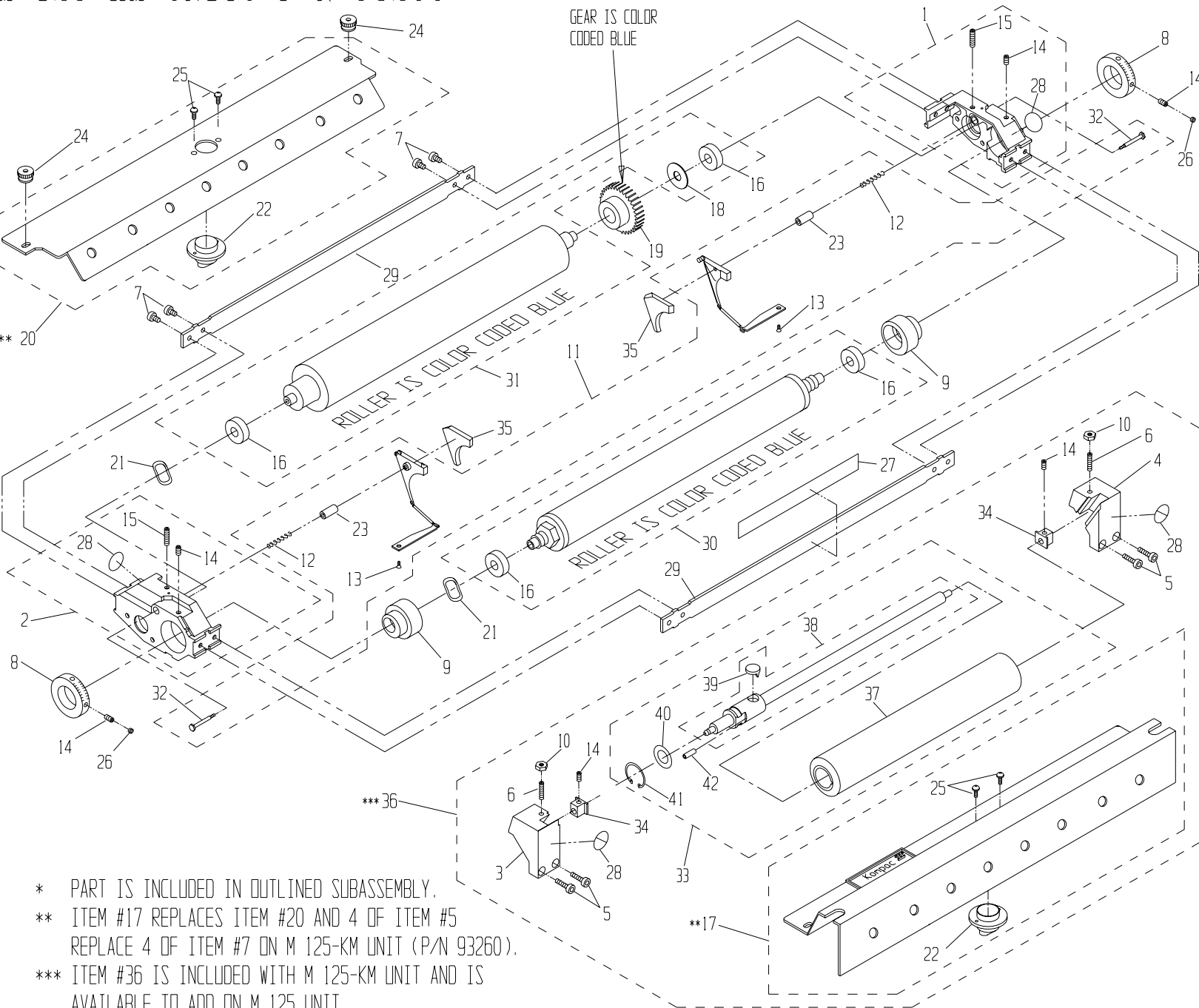
## M 125

Parts Catalog # 090172

159 DWIGHT PLACE , FAIRFIELD , NEW JERSEY 07004

TEL: 973-227-8611 / 800-541-5702

FAX: 973-227-7532

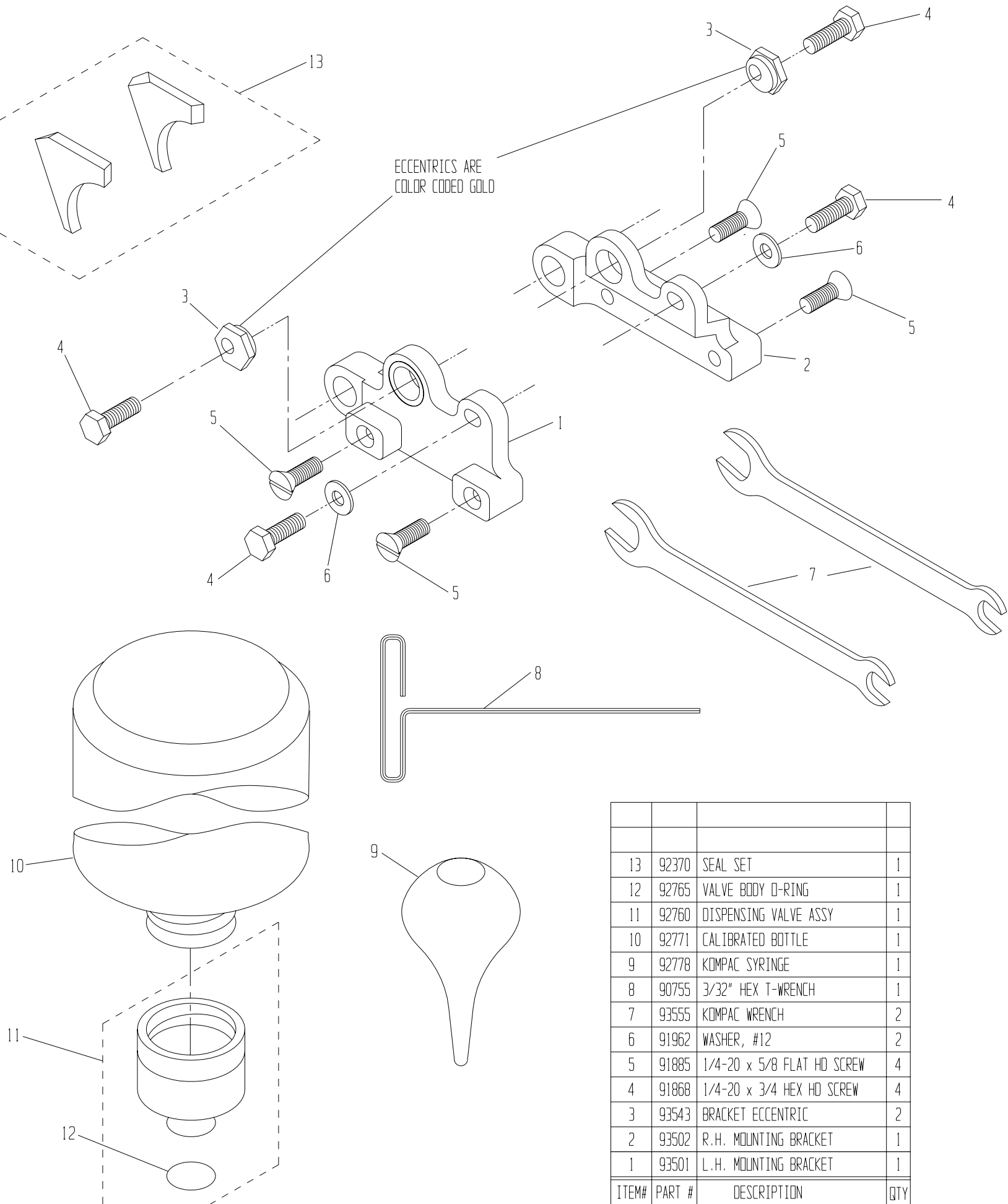


- \* PART IS INCLUDED IN OUTLINED SUBASSEMBLY.
- \*\* ITEM #17 REPLACES ITEM #20 AND 4 OF ITEM #5 REPLACE 4 OF ITEM #7 ON M 125-KM UNIT (P/N 93260).
- \*\*\* ITEM #36 IS INCLUDED WITH M 125-KM UNIT AND IS AVAILABLE TO ADD ON M 125 UNIT.

ITEM#	PART #	DESCRIPTION	QTY
42	91949	SPRING PIN	*
41	91997	OSC. RETAINING CLIP	*
40	91965	OSC. RETAINING WASHER	*
39	91111	OSC. DRIVE SHAFT FOLLOWER	*
38	91220	OSCILLATOR SHAFT ASSY, 11"	*
37	91120	OSCILLATOR ROLLER, 11"	*
36	96520	KOLORMATE MODEL 20	***
35	92370	SEAL SET	1
34	91219	ALIGNMENT BLOCK	2
33	91302	11" OSC. ROLLER PARTS ASSY	1
32	92303	SHOULDER SCREW	*
31	92410	11" FORM ROLLER ASSY	1

ITEM#	PART #	DESCRIPTION	QTY
30	92400	11" METERING ROLLER ASSY	1
29	92492	11" TIE BAR	2
28	92601	INWARD NIP SYMBOL	2*
27	92494	WARNING STICKER	1
26	91810	#10-24 X 1/8 SLOT SET SCREW	2
25	91806	#6-32 X 3/8 PHIL HD SCREW	*
24	92691	COVER NUT	2
23	92304	GUIDE PIN	*
22	92604	NOZZLE	*
21	92491	WAVE WASHER	2
20	92600	UNIT COVER ASSY	**
19	92800	GEAR CLUTCH ASSY	1
18	92415	THRUST WASHER	*
17	91320	11" OSCILLATOR COVER ASSY	**
16	92401	BEARING	*

ITEM#	PART #	DESCRIPTION	QTY
15	91814	#10-24 X 3/4 STUD	*
14	91811	#10-24 X 1/4 SET SCREW	4*
13	91802	#3-48 X 1/4 FLAT HD SCREW	*
12	92238	COMPRESSION SPRING	*
11	92290	BACKING PLATE KIT (L & R)	1
10	91982	#10-32 NUT	2
9	92291	ECCENTRIC	2
8	92222	METERING GAUGE	2
7	91818	#10-24 X 3/8 SOC HD SCREW	8
6	91851	SOCKET HD SCREW	2
5	91829	#10-24 X 11/16 SOC HD SCREW	**
4	91017	R.H. OSC. END BLOCK	1
3	91018	L.H. OSC. END BLOCK	1
2	92210	L.H. END FRAME ASSY	1
1	92200	R.H. END FRAME ASSY	1



13	92370	SEAL SET	1
12	92765	VALVE BODY O-RING	1
11	92760	DISPENSING VALVE ASSY	1
10	92771	CALIBRATED BOTTLE	1
9	92778	KOMPAC SYRINGE	1
8	90755	3/32" HEX T-WRENCH	1
7	93555	KOMPAC WRENCH	2
6	91962	WASHER, #12	2
5	91885	1/4-20 x 5/8 FLAT HD SCREW	4
4	91868	1/4-20 x 3/4 HEX HD SCREW	4
3	93543	BRACKET ECCENTRIC	2
2	93502	R.H. MOUNTING BRACKET	1
1	93501	L.H. MOUNTING BRACKET	1
ITEM#	PART #	DESCRIPTION	QTY