

Date of Installation : _____

Unit Serial Number : _____

Kompac Dealer : _____

Kompac®



A DIVISION OF DAY INTERNATIONAL, INC.



DAY INTERNATIONAL, INC.

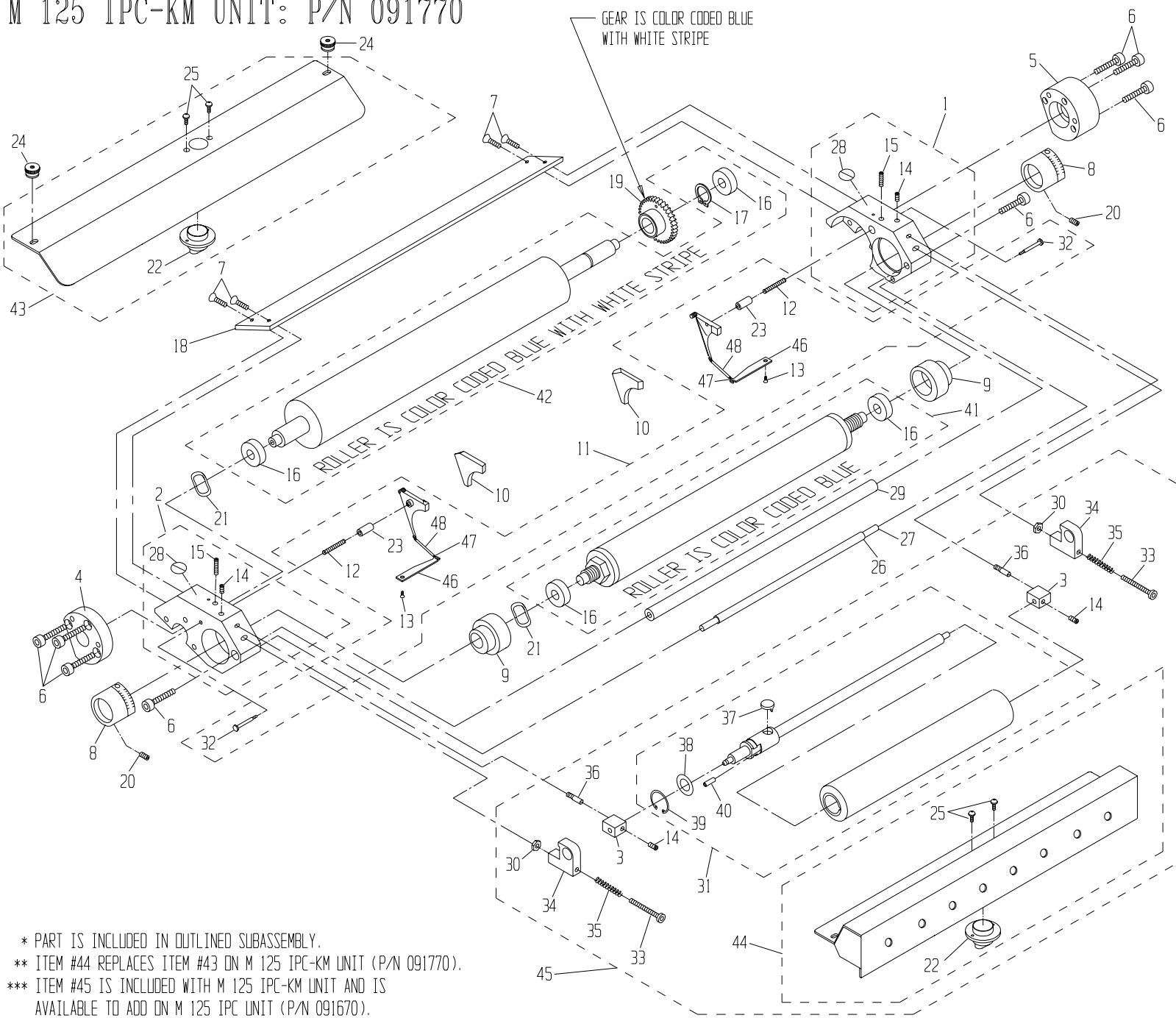
Image Transfer Group

Kompac



M 125 IPC

Parts Catalog # 090082

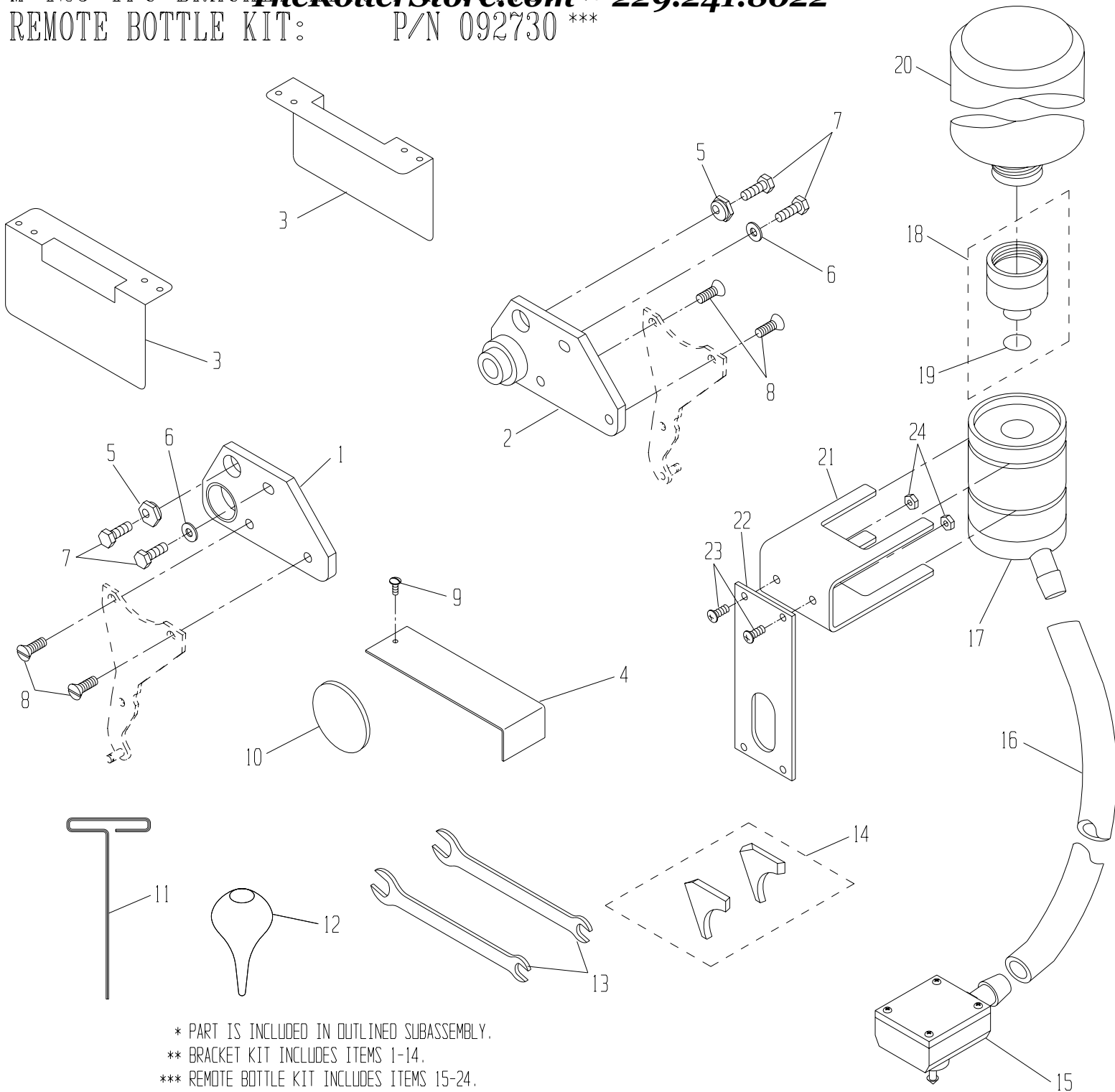


* PART IS INCLUDED IN OUTLINED SUBASSEMBLY.
 ** ITEM #44 REPLACES ITEM #43 ON M 125 IPC-KM UNIT (P/N 091770).
 *** ITEM #45 IS INCLUDED WITH M 125 IPC-KM UNIT AND IS AVAILABLE TO ADD ON M 125 IPC UNIT (P/N 091670).

48	092259	SPRING COVER	*
47	092236	BACKING PLATE TAB SPRING	*
46	092234	BACKING PLATE TAB	*
45	096460	KOLORMATE MODEL 25	***
44	090550	1250 IPC COVER ASSY (OSC)	**
43	090560	1250 IPC COVER ASSY	1
42	094770	FORM ROLLER SUBASSY (1250)	1
41	092400	ASSY, ROLLER, METERING, 11"	1
40	091949	SPRING PIN	*
39	091997	OSC. RETAINING CLIP	*
38	091965	OSC. RETAINING WASHER	*
37	091111	OSC. DRIVE SHAFT FOLLOWER	*
36	094343	OSCILLATOR POST	2
35	094347	SPRING (OSC)	2
34	094342	SPRING HOUSING	2
33	091877	1/4-28x1-1/4 SOCKET HD CAP SCW	2
ITEM#	PART #	DESCRIPTION	QTY

32	092303	SHOULDER SCREW	*
31	091302	11" OSCILLATOR PARTS ASSY	1
30	091970	1/4 -28 NUT	2
29	094672	TIE BAR (1250)	1
28	092601	INWARD NIP SYMBOL	*
27	094678	SAFETY ROD (1250)	1
26	094656	TEFLON TUBE	1
25	091806	#6-32 X 3/8 PHILLIPS HD SCW	*
24	092691	COVER NUT	2
23	092304	GUIDE PIN	*
22	092604	NOZZLE	*
21	092491	WAVE WASHER	2
20	091888	M5 x 5mm SET SCREW	2
19	091800	GEAR CLUTCH ASSY (1250)	1
18	094671	UNIT SUPPORT PLATE (1250)	1
17	091663	RETAINING RING	*
ITEM#	PART #	DESCRIPTION	QTY

16	092401	BEARING	*
15	091814	#10-24 X 3/4 STUD	*
14	091811	#10-24 X 1/4 SET SCREW	2*
13	091802	#3-48 X 1/4 FLAT HD SCREW	*
12	092238	COMPRESSION SPRING	*
11	092290	L & R SEAL BACKING PLATE KIT	1
10	092370	LEFT & RIGHT SEAL SET	1
9	092291	ECCENTRIC	2
8	092612	METERING GAUGE	2
7	091826	#10-24 FLAT HEAD SCREW	4
6	091865	1/4-20 SOCKET HEAD SCREW	8
5	094673	R.H. END FRAME CAP	1
4	094663	L.H. END FRAME CAP	1
3	094326	ROLLER ALIGNMENT BLOCK	2
2	092211	L.H. END FRAME ASSY	1
1	092201	R.H. END FRAME ASSY	1
ITEM#	PART #	DESCRIPTION	QTY



* PART IS INCLUDED IN OUTLINED SUBASSEMBLY.
 ** BRACKET KIT INCLUDES ITEMS 1-14.
 *** REMOTE BOTTLE KIT INCLUDES ITEMS 15-24.

24	091968	NUT, 10-24, LOCK	2	12	092778	SYRINGE	1
23	091819	BUTTON HD CAP SCREW (10-24x1/2)	2	11	090755	3/32" HEX T-WRENCH	1
22	092748	UNIVERSAL BRACKET	1	10	094409	2" DIA. STICKER	1
21	092749	BRACKET, BOTTLE, UNIVERSAL	1	9	091824	#6-32 x 1/4 TRUSS HEAD SCREW	1
20	092771	BOTTLE	1	8	091861	FLAT HD SCW, SLOTTED, 1/4-20x3/8	4
19	092765	O-RING	*	7	091868	SCREW, 1/4-20 x 3/4, HEX HEAD	4
18	092760	DISPENSER VALVE ASSY	1	6	091962	SPACER WASHER (.250x.563x.047)	2
17	092740	BOTTLE VALVE ASSEMBLY	1	5	093543	ABD BRACKET ECCENTRIC	2
16	092756	1/2" I.D. VINYL TUBING	1	4	094655	FILLER PLATE (1250 IPC)	1
15	092750	ADAPTER BASE ASSEMBLY	1	3	094679	SAFETY PLATE (1250 IPC)	2
14	092370	LEFT & RIGHT SEAL SET	1	2	094670	MOUNTING BRACKET ASSY, R.H.	1
13	093555	KOMPAC WRENCH	2	1	094660	MOUNTING BRACKET ASSY, L.H.	1
ITEM#	PART #	DESCRIPTION	QTY	ITEM#	PART #	DESCRIPTION	QTY