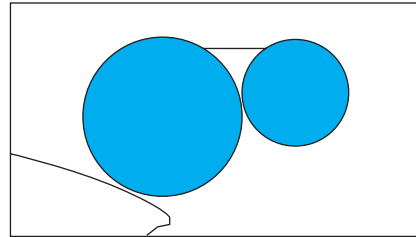


Date of Installation : \_\_\_\_\_

Unit Serial Number : \_\_\_\_\_

Kompac Dealer : \_\_\_\_\_

# Kompac®



A DIVISION OF DAY INTERNATIONAL, INC.



DAY INTERNATIONAL, INC.

Image Transfer Group

**Kompac**



## **RYB - 332**

Parts Catalog # 094102

159 DWIGHT PLACE , FAIRFIELD , NEW JERSEY 07004

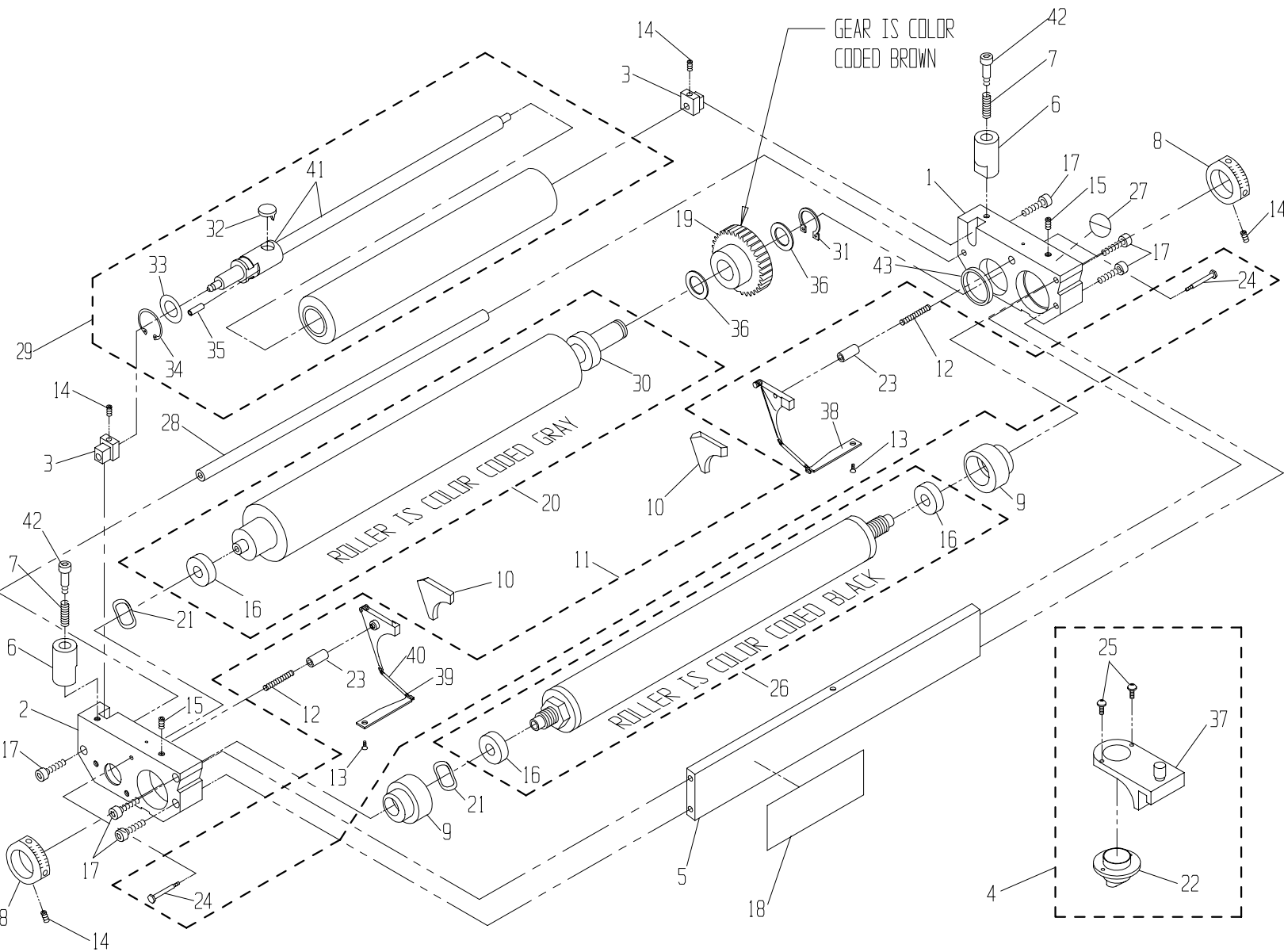
TEL: 201-227-8611 / 800-541-5702

FAX: 201-227-7532

RVB 332 PARTS CATALOG

P/N 094102

REV	DESCRIPTION	ECN	BY	DATE
-	RELEASED TO PRODUCTION	N/A	P.M.	4-98
A	ITEM #29 WAS 081311	1411	Z.Z.	06-15-98
B	ITEM #29 WAS 091311	1793	P.M.	3-31-03



\* PART IS INCLUDED IN OUTLINED SUBASSEMBLY.

43	094097	SPACER, FORM ROLLER	1
42	091708	SHOULDER SCREW, 6mm	2
41	091262	SHAFT ASSY, S.S.	*
40	092259	SPRING COVER	*
39	092236	TAB SPRING	*
38	090971	TAB, SHORT	*
37	094997	BRACKET, NOZZLE	*
36	091966	WASHER, FLAT	2
35	091949	SPRING PIN	*
34	091997	OSC. RETAINING CLIP	*
33	091965	OSC. RETAINING WASHER	*
32	091111	OSC. DRIVE SHAFT FOLLOWER	*
31	091662	RETAINING RING	1
30	092586	BEARING	*
29	091319	13-1/4 OSC. ROLL. PARTS ASSY	1
ITEM#	PART #	DESCRIPTION	QTY

28	090989	TIE ROD	1
27	092601	SAFETY STICKER	1
26	094240	13-1/4" METERING ROLLER W/B	1
25	091907	#6-32 X 3/8 PHILLIPS HD SCW	*
24	092296	SHOULDER SCREW	*
23	092304	GUIDE PIN	*
22	092604	NOZZLE	*
21	092491	WAVE WASHER	2
20	091900	13-1/4" FORM ROLLER W/B	1
19	092880	GEAR CLUTCH ASSY	1
18	090984	I.D. STICKER (HAMADA)	1
17	091898	M5 x 35mm SOC. HD. SCREW	6
16	092401	BEARING	*
15	091904	M5 x 16mm SET SCREW	2
ITEM#	PART #	DESCRIPTION	QTY

14	091888	M5 x 5mm SET SCREW	4
13	091901	M3 x 6mm SOC HD SCREW	*
12	092238	COMPRESSION SPRING	*
11	090970	BACKING PLATE KIT (HAMADA)	1
10	092370	SEAL SET (L & R)	1
9	092291	ECCENTRIC	2
8	092612	METERING GAUGE	2
7	092007	SPRING, COMPRESSION	2
6	094991	OSCILLATOR POST	2
5	090979	TIE BAR	1
4	098750	BRACKET NOZZLE ASSEMBLY	1
3	090985	ALIGNMENT BLOCK	2
2	090993	L.H. END FRAME	1
1	090994	R.H. END FRAME	1
ITEM#	PART #	DESCRIPTION	QTY

