

Date of Installation : _____

Unit Serial Number : _____

Kompac Dealer : _____

Kompac®



A DIVISION OF DAY INTERNATIONAL, INC.



DAY INTERNATIONAL, INC.

Image Transfer Group

Kompac



GST 12

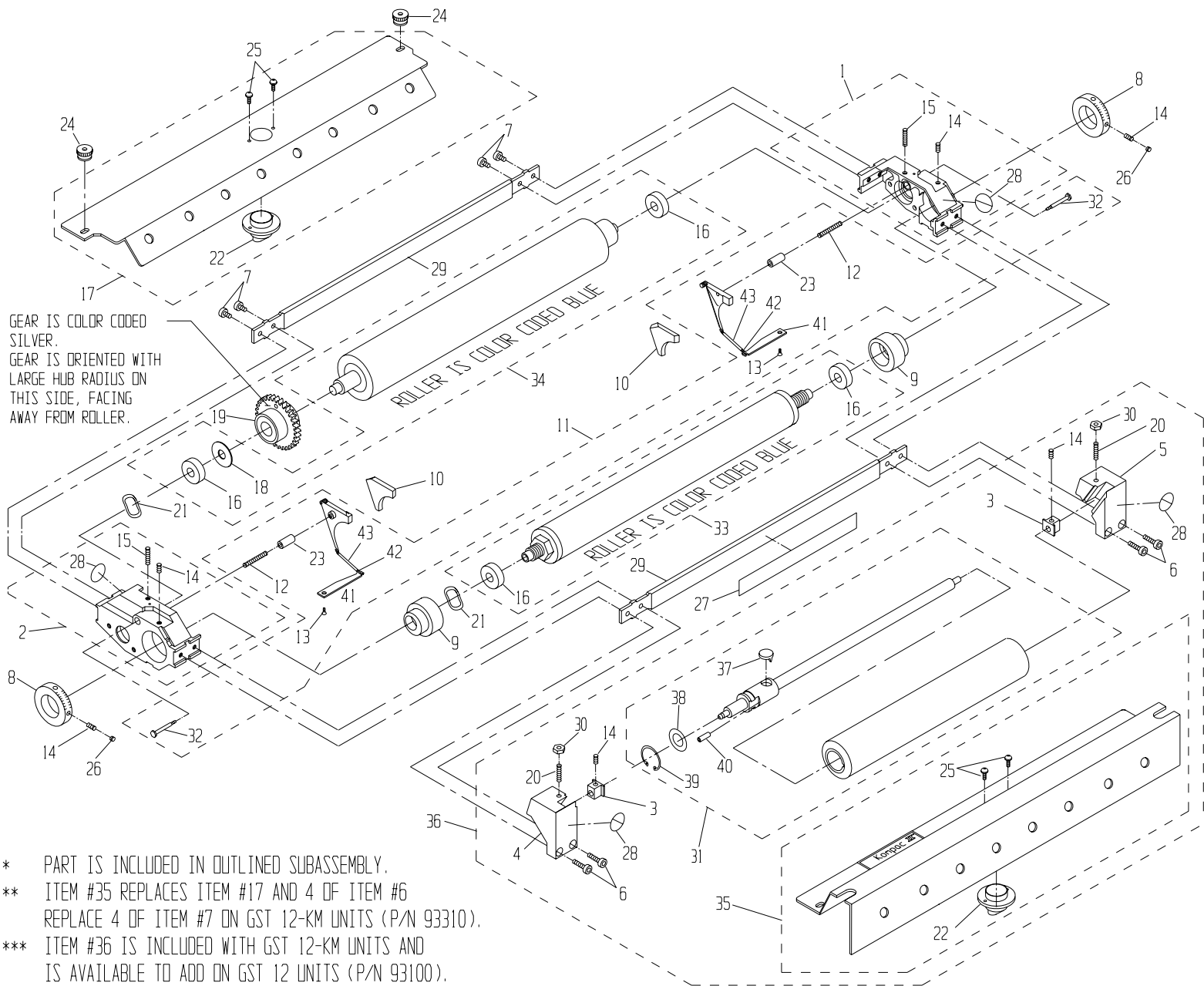
Parts Catalog # 090224

159 DWIGHT PLACE , FAIRFIELD , NEW JERSEY 07004

TEL: 973-227-8611 / 800-541-5702

FAX: 973-227-7532

GST 12 UNIT: P/N 93100
 GST 12-KM UNIT: P/N 93310



* PART IS INCLUDED IN OUTLINED SUBASSEMBLY.
 ** ITEM #35 REPLACES ITEM #17 AND 4 OF ITEM #6
 REPLACE 4 OF ITEM #7 ON GST 12-KM UNITS (P/N 93310).
 *** ITEM #36 IS INCLUDED WITH GST 12-KM UNITS AND IS AVAILABLE TO ADD ON GST 12 UNITS (P/N 93100).

| ITEM# | PART # | DESCRIPTION | QTY |
|-------|--------|---------------------------|-----|
| 43 | 92259 | SPRING COVER | * |
| 42 | 92236 | BACKING PLATE TAB SPRING | * |
| 41 | 92234 | BACKING PLATE TAB | * |
| 40 | 91949 | SPRING PIN | * |
| 49 | 91997 | OSC. RETAINING CLIP | * |
| 48 | 91965 | OSC. RETAINING WASHER | * |
| 37 | 91111 | OSC. DRIVE SHAFT FOLLOWER | * |
| 36 | 96520 | KOLORMATE MODEL 20 | *** |
| 35 | 91320 | 11" OSC COVER ASSY | ** |
| 34 | 92410 | 11" FORM ROLLER W/B | 1 |
| 33 | 92400 | 11" METERING ROLLER W/B | 1 |
| 32 | 92303 | SHOULDER SCREW | * |
| 31 | 91302 | 11" OSC. PARTS ASSY | 1 |

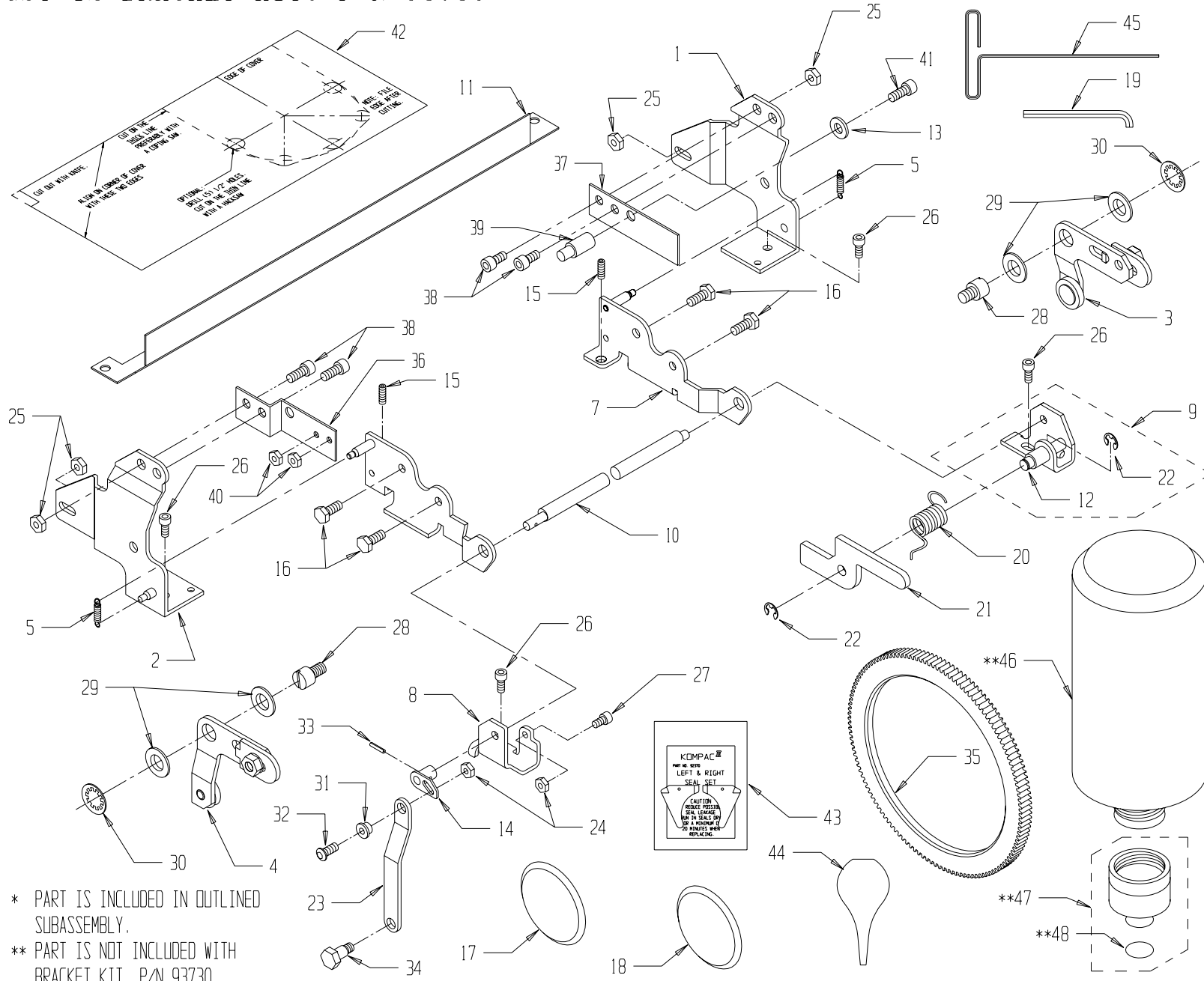
| | | | |
|----|-------|-----------------------------|----|
| 30 | 91982 | #10-32 NUT | 2 |
| 29 | 92492 | 11" TIE BAR | 2 |
| 28 | 92601 | INWARD NIP SYMBOL | 2* |
| 27 | 92494 | WARNING DECAL | 1 |
| 26 | 91810 | #10-24 X 1/8 SLOT SET SCW | 2 |
| 25 | 91806 | #6-32 X 3/8 PHILLIPS HD SCW | * |
| 24 | 92691 | COVER NUT | 2 |
| 23 | 92304 | GUIDE PIN | * |
| 22 | 92604 | NOZZLE | * |
| 21 | 92491 | WAVE WASHER | 2 |
| 20 | 91851 | #10-32 x 1 SET SCREW | 2 |
| 19 | 92850 | GEAR CLUTCH ASSY | 1 |
| 18 | 92415 | THRUST WASHER | * |
| 17 | 92600 | 11" COVER ASSEMBLY | ** |
| 16 | 92401 | BEARING | * |

| | | | |
|----|-------|------------------------------|-----|
| 15 | 91814 | #10-24 X 3/4 STUD | * |
| 14 | 91811 | #10-24 X 1/4 SET SCREW | 4* |
| 13 | 91802 | #3-48 X 1/4 FLAT HD SCREW | * |
| 12 | 92238 | COMPRESSION SPRING | * |
| 11 | 92290 | BACKING PLATE KIT (L & R) | 1 |
| 10 | 92370 | SEAL SET (L & R) | 1 |
| 9 | 92291 | ECCENTRIC | 2 |
| 8 | 92222 | METERING GAUGE | 2 |
| 7 | 91818 | #10-24 x 3/8 SOCKET HD SCREW | 8** |
| 6 | 91829 | #10-24 x 11/16 SDC HD SCREW | 4** |
| 5 | 91017 | R.H. OSC. END BLOCK | 1 |
| 4 | 91018 | L.H. OSC. END BLOCK | 1 |
| 3 | 91219 | ALIGNMENT BLOCK | 2 |
| 2 | 92210 | L.H. END FRAME ASSY | 1 |
| 1 | 92200 | R.H. END FRAME ASSY | 1 |

| ITEM# | PART # | DESCRIPTION | QTY |
|-------|--------|-------------|-----|
|-------|--------|-------------|-----|

| ITEM# | PART # | DESCRIPTION | QTY |
|-------|--------|-------------|-----|
|-------|--------|-------------|-----|

| ITEM# | PART # | DESCRIPTION | QTY |
|-------|--------|-------------|-----|
|-------|--------|-------------|-----|



* PART IS INCLUDED IN OUTLINED SUBASSEMBLY.
 ** PART IS NOT INCLUDED WITH BRACKET KIT, P/N 93730

| | | | |
|----|-------|------------------------------|----|
| 48 | 92765 | O-RING | * |
| 47 | 92760 | DISPENSING VALVE ASSY | ** |
| 46 | 92771 | CALIBRATED BOTTLE | ** |
| 45 | 90755 | 3/32" T-WRENCH | 1 |
| 44 | 92778 | KOMPAC SYRINGE | 1 |
| 43 | 92370 | KOMPAC SEAL SET (L & R) | 1 |
| 42 | 94151 | SFTY COVER TEMPLATE, GST 13 | 1 |
| 41 | 91895 | 1/4-28x1/2 SOCKET HD CAP SCW | 1 |
| 40 | 91967 | 8-32 LOCK NUT | 2 |
| 39 | 93515 | SAFETY COVER PIN | 1 |
| 38 | 91876 | 1/4-20x1/2 SOCKET HD CAP SCW | 4 |
| 37 | 93516 | L.H. SAFETY COVER BRACKET | 1 |
| 36 | 93517 | R.H. SAFETY COVER BRACKET | 1 |
| 35 | 92855 | PLATE CYLINDER GEAR | 1 |
| 34 | 93519 | GESTETNER LOCKOUT PIN | 1 |
| 33 | 91940 | 3/32 x 1/2 ROLL PIN | 1 |

| | | | |
|----|-------|------------------------------|----|
| 32 | 91819 | 10-24 x 1/2 BUTTON HEAD SCW | 1 |
| 31 | 93754 | ATF LOCKOUT BUSHING | 1 |
| 30 | 91747 | CIRCULAR PUSH-ON WASHER | 2 |
| 29 | 91739 | .442 x .750 WASHER | 4 |
| 28 | 90934 | THREADED STUD | 2 |
| 27 | 91818 | 10-24x3/8 SOCKET HD CAP SCW | 1 |
| 26 | 91875 | 1/4-20x3/8 SOCKET HD CAP SCW | 4 |
| 25 | 91972 | 1/4-20 LOCK NUT | 4 |
| 24 | 91968 | 10-24 LOCK NUT | 2 |
| 23 | 93518 | GESTETNER LOCKOUT LINK | 1 |
| 22 | 91994 | 5/16" E-RING | 1* |
| 21 | 93621 | PLATE CLAMP PAWL | 1 |
| 20 | 93626 | PLATE CLAMP SPRING | 1 |
| 19 | 93708 | 3/16" ALLEN WRENCH | 1 |
| 18 | 93749 | 2" DIA. HOLE PLUG | 1 |
| 17 | 93748 | 2-1/8" DIA. HOLE PLUG | 1 |

| | | | |
|----|-------|-----------------------------|---|
| 16 | 91868 | 1/4-20 x 3/4 HEX HEAD SCREW | 4 |
| 15 | 91850 | 10-32 x 1/2 SET SCREW | 2 |
| 14 | 93710 | ATF LEVER ASSY | 1 |
| 13 | 91962 | #12 WASHER | 1 |
| 12 | 93623 | PAWL SUPPORT BOLT | * |
| 11 | 93707 | PINCH GUARD | 1 |
| 10 | 93751 | ATF ECCENTRIC SHAFT | 1 |
| 9 | 93686 | R.H. PIVOT BRACKET ASSY | 1 |
| 8 | 93685 | L.H. PIVOT BRACKET ASSY | 1 |
| 7 | 93758 | R.H. MOUNTING BRACKET ASSY | 1 |
| 6 | 93757 | L.H. MOUNTING BRACKET ASSY | 1 |
| 5 | 93553 | EXTENSION SPRING | 2 |
| 4 | 90930 | OP-SIDE LIFT LINK ASSY | 1 |
| 3 | 90940 | NON-OP SIDE LIFT LINK ASSY | 1 |
| 2 | 93687 | L.H. INKER BRACKET | 1 |
| 1 | 93688 | R.H. INKER BRACKET | 1 |

| | | | | | | | | | | | |
|-------|--------|-------------|-----|-------|--------|-------------|-----|-------|--------|-------------|-----|
| ITEM# | PART # | DESCRIPTION | QTY | ITEM# | PART # | DESCRIPTION | QTY | ITEM# | PART # | DESCRIPTION | QTY |
|-------|--------|-------------|-----|-------|--------|-------------|-----|-------|--------|-------------|-----|