

Date of Installation : _____

Unit Serial Number : _____

Kompac Dealer : _____

Kompac®



A DIVISION OF DAY INTERNATIONAL, INC.



DAY INTERNATIONAL, INC.

Image Transfer Group

Kompac



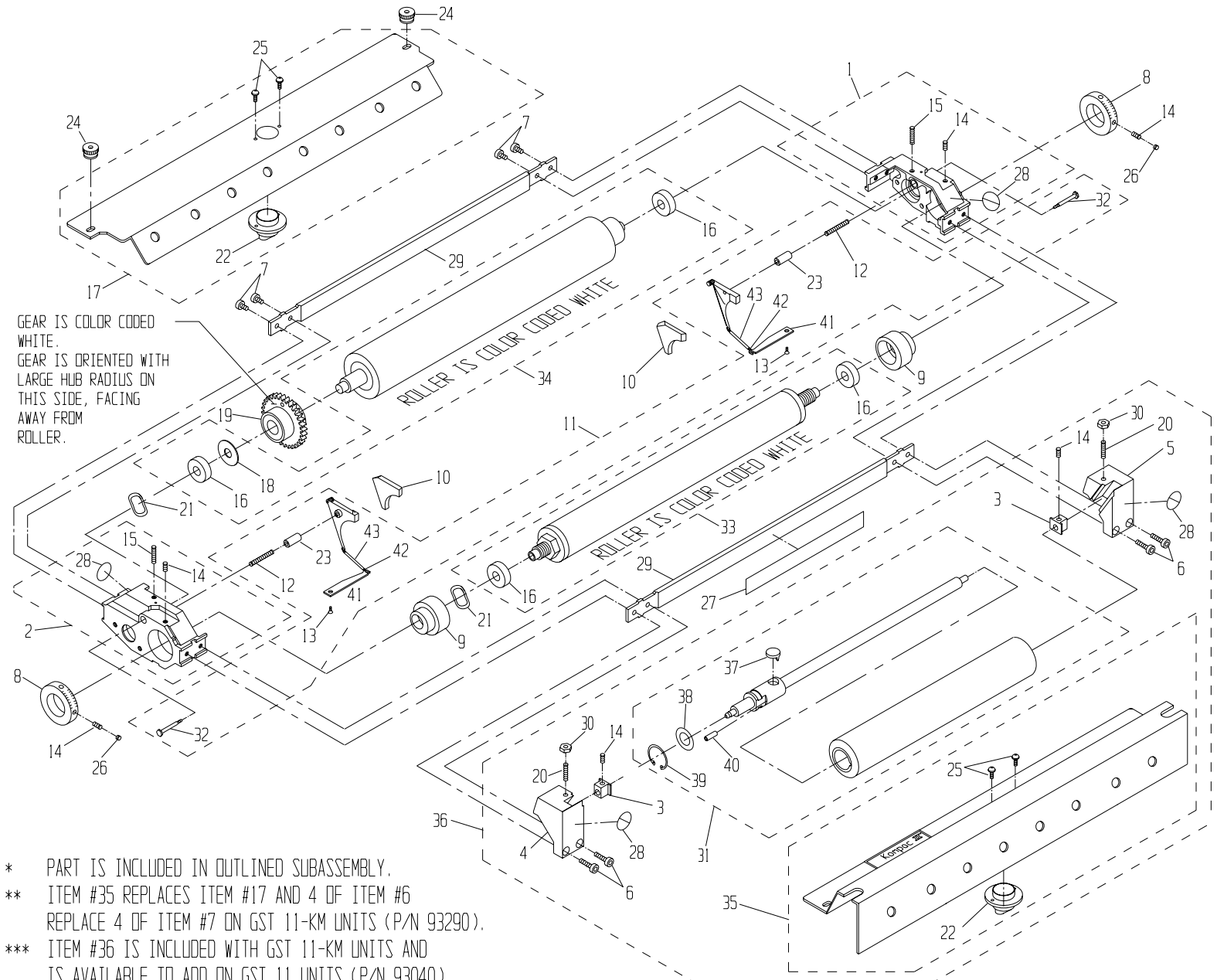
GST 11

Parts Catalog # 090222

GST 11 UNIT: P/N 93040
 GST 11-KM UNIT: P/N 93290

TheRollerStore.com ~ 229.241.8022

PARTS CATALOG #90222 REV A

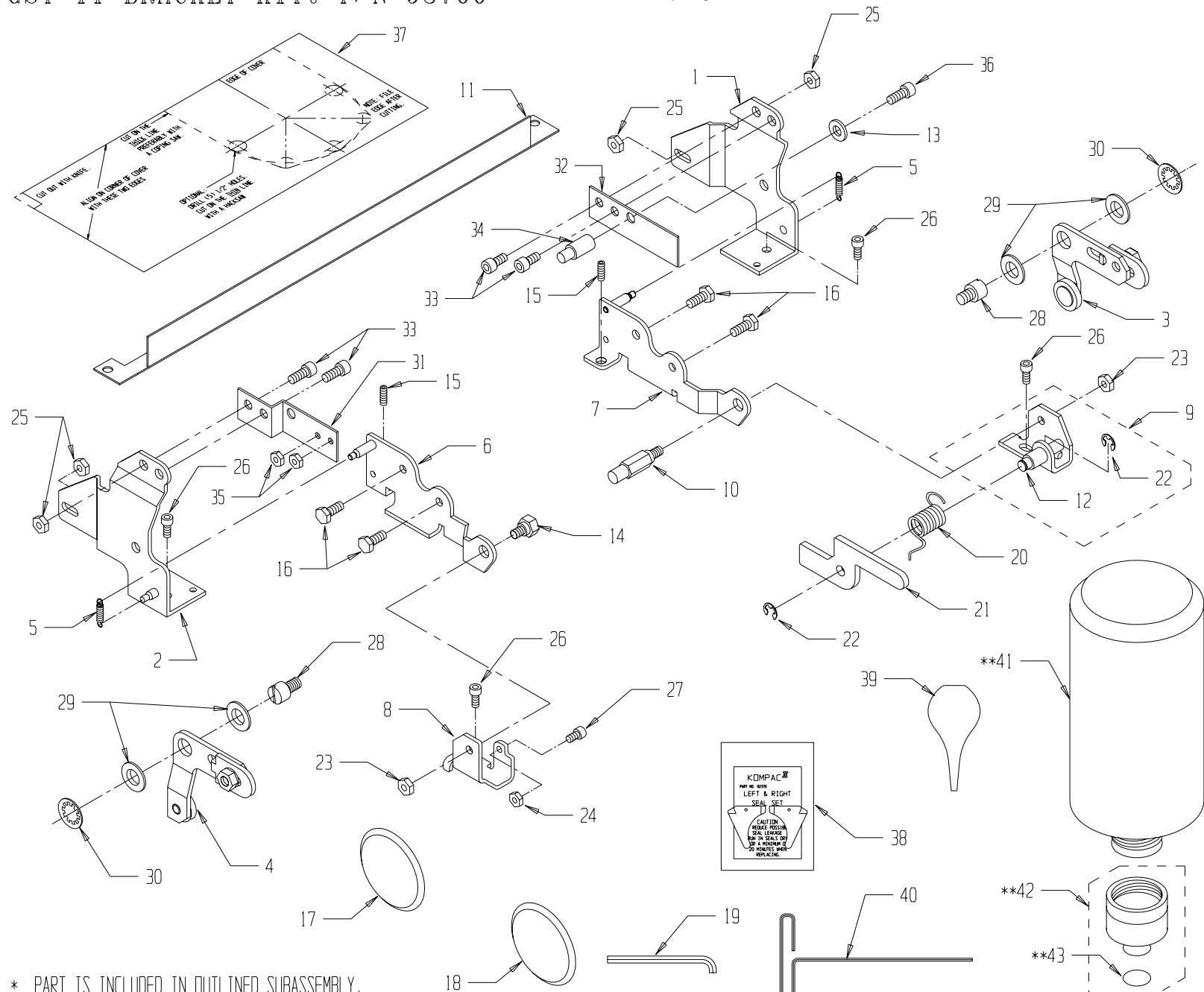


* PART IS INCLUDED IN OUTLINED SUBASSEMBLY.
 ** ITEM #35 REPLACES ITEM #17 AND 4 OF ITEM #6
 REPLACE 4 OF ITEM #7 ON GST 11-KM UNITS (P/N 93290).
 *** ITEM #36 IS INCLUDED WITH GST 11-KM UNITS AND
 IS AVAILABLE TO ADD ON GST 11 UNITS (P/N 93040).

ITEM#	PART #	DESCRIPTION	QTY
43	92259	SPRING COVER	*
42	92236	BACKING PLATE TAB SPRING	*
41	92234	BACKING PLATE TAB	*
40	91949	SPRING PIN	*
39	91997	OSC. RETAINING CLIP	*
38	91965	OSC. RETAINING WASHER	*
37	91111	OSC. DRIVE SHAFT FOLLOWER	*
36	96510	KOLORMATE MODEL 10	***
35	91310	10-5/8" OSC COVER ASSY	**
34	92450	10-5/8" FORM ROLLER W/B	1
33	92440	10-5/8" METERING ROLLER W/B	1
32	92303	SHOULDER SCREW	*
31	91301	10-5/8" OSC. PARTS ASSY	1

30	91982	#10-32 NUT	2
29	92495	10-5/8" TIE BAR	2
28	92601	INWARD NIP SYMBOL	2*
27	92494	WARNING DECAL	1
26	91810	#10-24 X 1/8 SLOT SET SCW	2
25	91806	#6-32 X 3/8 PHILLIPS HD SCW	*
24	92691	COVER NUT	2
23	92304	GUIDE PIN	*
22	92604	NOZZLE	*
21	92491	WAVE WASHER	2
20	91851	#10-32 x 1 SET SCREW	2
19	92830	GEAR CLUTCH ASSY	1
18	92415	THRUST WASHER	*
17	92610	10-5/8" COVER ASSEMBLY	**
16	92401	BEARING	*

15	91814	#10-24 X 3/4 STUD	*
14	91811	#10-24 X 1/4 SET SCREW	4*
13	91802	#3-48 X 1/4 FLAT HD SCREW	*
12	92238	COMPRESSION SPRING	*
11	92290	BACKING PLATE KIT (L & R)	1
10	92370	SEAL SET (L & R)	1
9	92291	ECCENTRIC	2
8	92222	METERING GAUGE	2
7	91818	#10-24 x 3/8 SOCKET HD SCREW	8**
6	91829	#10-24 x 11/16 SDC HD SCREW	4**
5	91017	R.H. OSC. END BLOCK	1
4	91018	L.H. OSC. END BLOCK	1
3	91219	ALIGNMENT BLOCK	2
2	92210	L.H. END FRAME ASSY	1
1	92200	R.H. END FRAME ASSY	1



* PART IS INCLUDED IN OUTLINED SUBASSEMBLY.
 ** PART IS NOT INCLUDED WITH BRACKET KIT, P/N 93700.

ITEM#	PART #	DESCRIPTION	QTY
43	92765	O-RING	*
42	92760	DISPENSING VALVE ASSY	**
41	92771	CALIBRATED BOTTLE	**
40	90755	3/32" T-WRENCH	1
39	92778	KOMPAC SYRINGE	1
38	92370	KOMPAC SEAL SET (L & R)	1
37	93512	GST 11/12 SAFETY COVER TEMP.	1
36	91895	1/4-28x1/2 SOCKET HD CAP SCW	1
35	91967	8-32 LOCK NUT	2
34	93515	SAFETY COVER PIN	1
33	91876	1/4-20x1/2 SOCKET HD CAP SCW	4
32	93516	L.H. SAFETY COVER BRACKET	1
31	93517	R.H. SAFETY COVER BRACKET	1

30	91747	CIRCULAR PUSH-ON WASHER	2
29	91739	.442 x .750 WASHER	4
28	90934	THREADED STUD	2
27	91818	10-24x3/8 SOCKET HD CAP SCW	1
26	91875	1/4-20x3/8 SOCKET HD CAP SCW	4
25	91972	1/4-20 LOCK NUT	4
24	91968	10-24 LOCK NUT	1
23	91971	1/4-28 LOCK NUT	2
22	91994	5/16" E-RING	1*
21	93621	PLATE CLAMP PAWL	1
20	93626	PLATE CLAMP SPRING	1
19	93708	3/16" ALLEN WRENCH	1
18	93749	2" DIA. HOLE PLUG	1
17	93748	2-1/8" DIA. HOLE PLUG	1
16	91868	1/4-20 x 3/4 HEX HEAD SCREW	4

15	91850	10-32 x 1/2 SET SCREW	2
14	93544	SHOULDER BOLT	1
13	91962	#12 WASHER	1
12	93623	PAWL SUPPORT BOLT	*
11	93707	PINCH GUARD	1
10	93624	PAWL LOCKOUT STUD	1
9	93686	R.H. PIVOT BRACKET ASSY	1
8	93685	L.H. PIVOT BRACKET ASSY	1
7	93704	R.H. MOUNTING BRACKET ASSY	1
6	93705	L.H. MOUNTING BRACKET ASSY	1
5	93553	EXTENSION SPRING	2
4	90930	OP-SIDE LIFT LINK ASSY	1
3	90940	NON-OP SIDE LIFT LINK ASSY	1
2	93687	L.H. INKER BRACKET	1
1	93688	R.H. INKER BRACKET	1