

Date of Installation : _____

Unit Serial Number : _____

Kompac Dealer : _____

Kompac®



A DIVISION OF DAY INTERNATIONAL, INC.



DAY INTERNATIONAL, INC.

Image Transfer Group

Kompac



AF 15 / 15G

Parts Catalog # 090232

159 DWIGHT PLACE , FAIRFIELD , NEW JERSEY 07004

TEL: 973-227-8611 / 800-541-5702

FAX: 973-227-7532

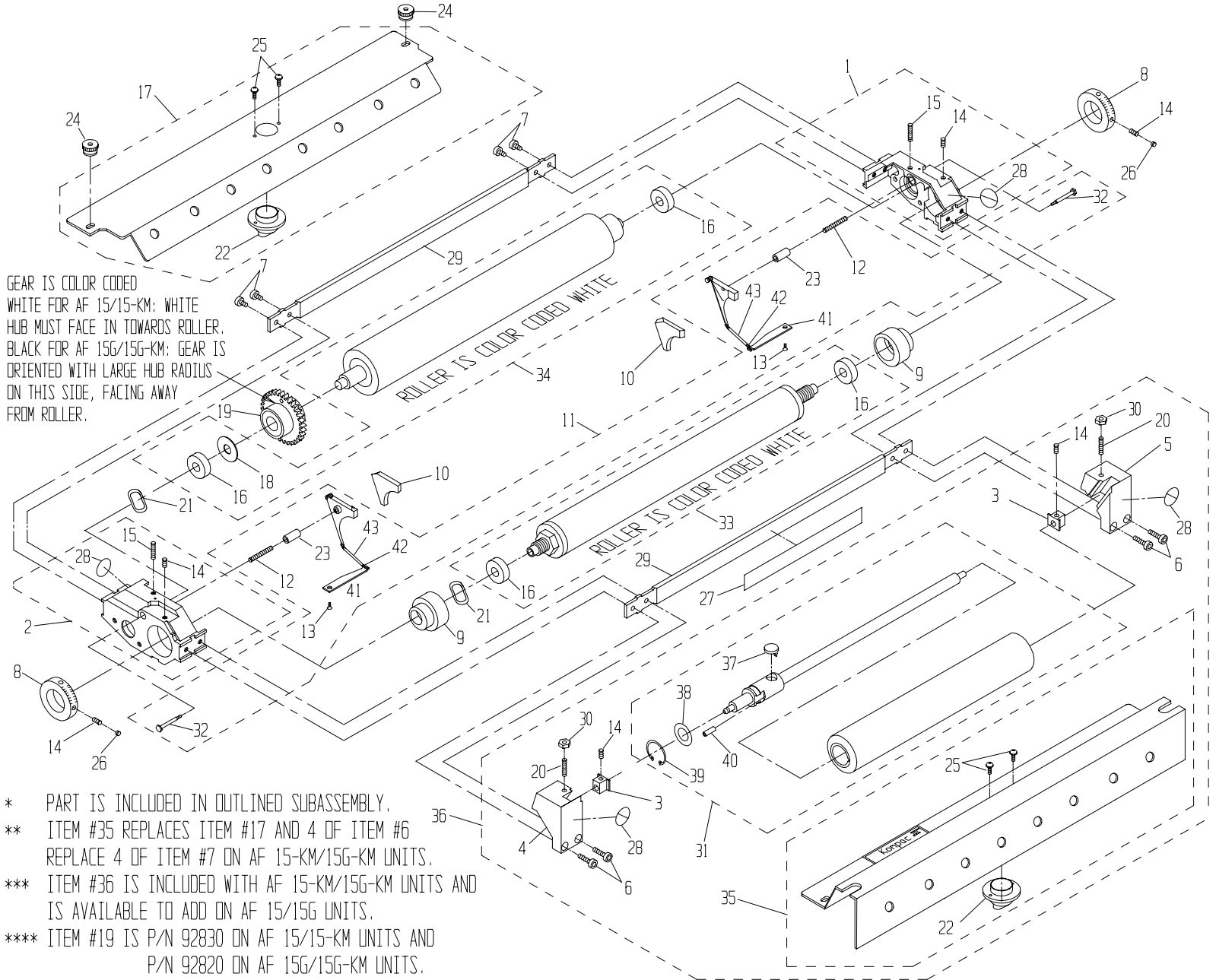
AF 15 UNIT: P/N 93040

TheRollerStore.com 229.241.8022 AF 15G UNIT: P/N 93060

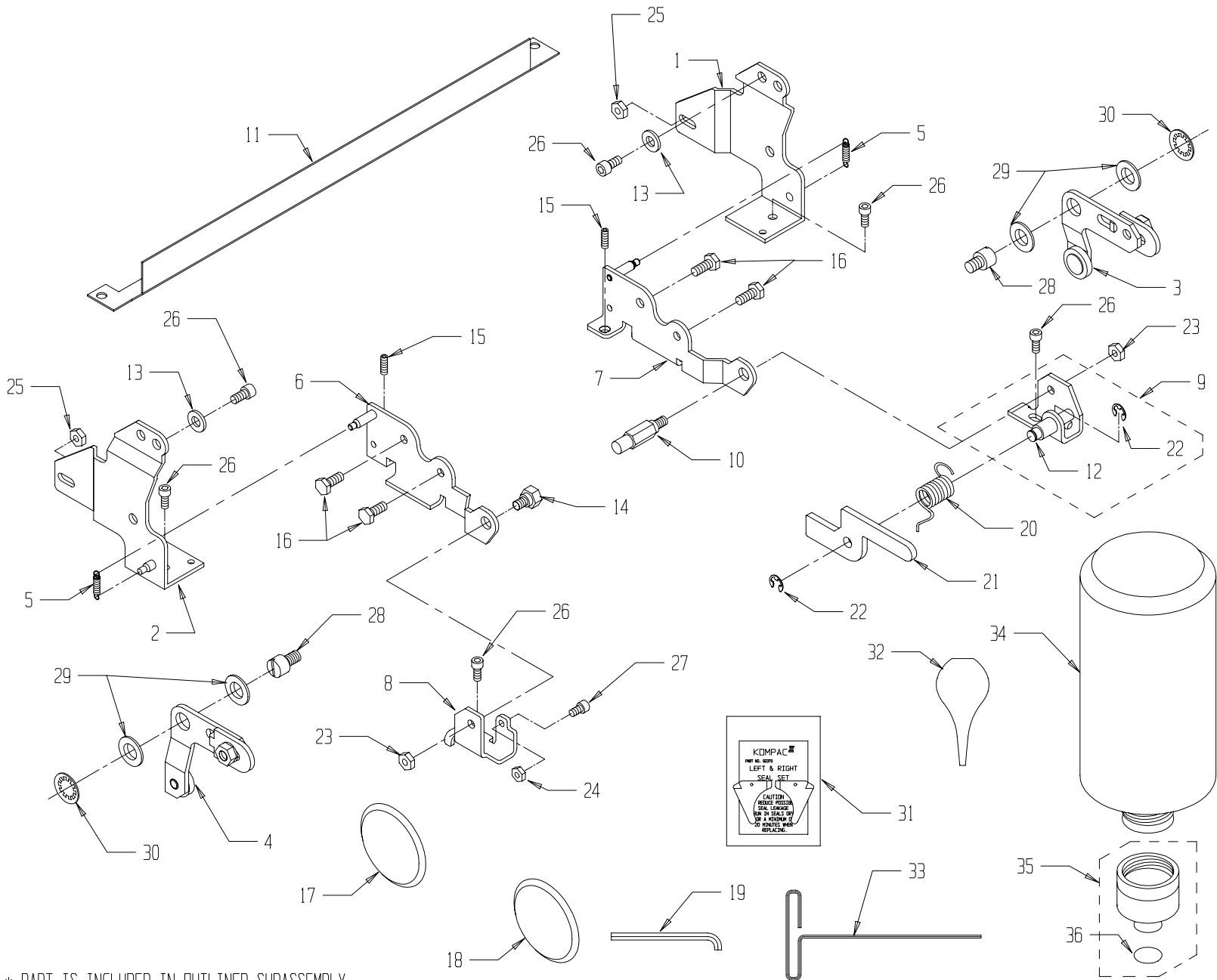
PARTS CATALOG #90232 REV B

AF 15-KM UNIT: P/N 93290

AF 15G-KM UNIT: P/N 93300



				30	91982	#10-32 NUT	2	15	91814	#10-24 X 3/4 STUD	*
				29	92495	10-5/8" TIE BAR	2	14	91811	#10-24 X 1/4 SET SCREW	4*
43	92259	SPRING COVER	*	28	92601	INWARD NIP SYMBOL	2*	13	91802	#3-48 X 1/4 FLAT HD SCREW	*
42	92236	BACKING PLATE TAB SPRING	*	27	92494	WARNING DECAL	1	12	92238	COMPRESSION SPRING	*
41	92234	BACKING PLATE TAB	*	26	91810	#10-24 X 1/8 SLOT SET SCW	2	11	92290	BACKING PLATE KIT (L & R)	1
40	91949	SPRING PIN	*	25	91806	#6-32 X 3/8 PHILLIPS HD SCW	*	10	92370	SEAL SET (L & R)	1
39	91997	OSC. RETAINING CLIP	*	24	92691	COVER NUT	2	9	92291	ECCENTRIC	2
38	91965	OSC. RETAINING WASHER	*	23	92304	GUIDE PIN	*	8	92222	METERING GAUGE	2
37	91111	OSC. DRIVE SHAFT FOLLOWER	*	22	92604	NOZZLE	*	7	91818	#10-24 x 3/8 SOCKET HD SCREW	8**
36	96510	KOLORMATE MODEL 10	***	21	92491	WAVE WASHER	2	6	91829	#10-24 x 11/16 SOC HD SCREW	4**
35	91310	10-5/8" OSC COVER ASSY	**	20	91851	#10-32 x 1 SET SCREW	2	5	91017	R.H. OSC. END BLOCK	1
34	92450	10-5/8" FORM ROLLER W/B	1	19	****	GEAR CLUTCH ASSY	1	4	91018	L.H. OSC. END BLOCK	1
33	92440	10-5/8" METERING ROLLER W/B	1	18	92415	THRUST WASHER	*	3	91219	ALIGNMENT BLOCK	2
32	92303	SHOULDER SCREW	*	17	92610	10-5/8" COVER ASSEMBLY	**	2	92210	L.H. END FRAME ASSY	1
31	91301	10-5/8" OSC. PARTS ASSY	1	16	92401	BEARING	*	1	92200	R.H. END FRAME ASSY	1
ITEM#	PART #	DESCRIPTION	QTY	ITEM#	PART #	DESCRIPTION	QTY	ITEM#	PART #	DESCRIPTION	QTY



* PART IS INCLUDED IN OUTLINED SUBASSEMBLY

ITEM#	PART #	DESCRIPTION	QTY
36	92765	O-RING	*
35	92760	DISPENSING VALVE ASSY	1
34	92771	CALIBRATED BOTTLE	1
33	90755	3/32" T-WRENCH	1
32	92778	KOMPAC SYRINGE	1
31	92370	KOMPAC SEAL SET (L & R)	1

30	91747	CIRCULAR PUSH-ON WASHER	2
29	91739	.442 x .750 WASHER	4
28	90934	THREADED STUD	2
27	91818	10-24x3/8 SOCKET HD CAP SCW	1
26	91875	1/4-20x3/8 SOCKET HD CAP SCW	6
25	91972	1/4-20 LOCK NUT	2
24	91968	10-24 LOCK NUT	1
23	91971	1/4-28 LOCK NUT	2
22	91994	5/16" E-RING	1*
21	93621	PLATE CLAMP PAWL	1
20	93626	PLATE CLAMP SPRING	1
19	93708	3/16" ALLEN WRENCH	1
18	93749	2" DIA. HOLE PLUG	1
17	93748	2-1/8" DIA. HOLE PLUG	1
16	91868	1/4-20 x 3/4 HEX HEAD SCREW	4

15	91850	10-32 x 1/2 SET SCREW	2
14	93544	SHOULDER BOLT	1
13	91962	#12 WASHER	2
12	93623	PAWL SUPPORT BOLT	*
11	93707	PINCH GUARD	1
10	93624	PAWL LOCKOUT STUD	1
9	93686	R.H. PIVOT BRACKET ASSY	1
8	93685	L.H. PIVOT BRACKET ASSY	1
7	93704	R.H. MOUNTING BRACKET ASSY	1
6	93705	L.H. MOUNTING BRACKET ASSY	1
5	93553	EXTENSION SPRING	2
4	90930	OP-SIDE LIFT LINK ASSY	1
3	90940	NON-OP SIDE LIFT LINK ASSY	1
2	93687	L.H. INKER BRACKET	1
1	93688	R.H. INKER BRACKET	1