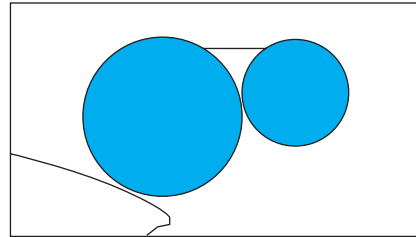


Date of Installation : _____

Unit Serial Number : _____

Kompac Dealer : _____

Kompac®



A DIVISION OF DAY INTERNATIONAL, INC.



DAY INTERNATIONAL, INC.

Image Transfer Group

Kompac



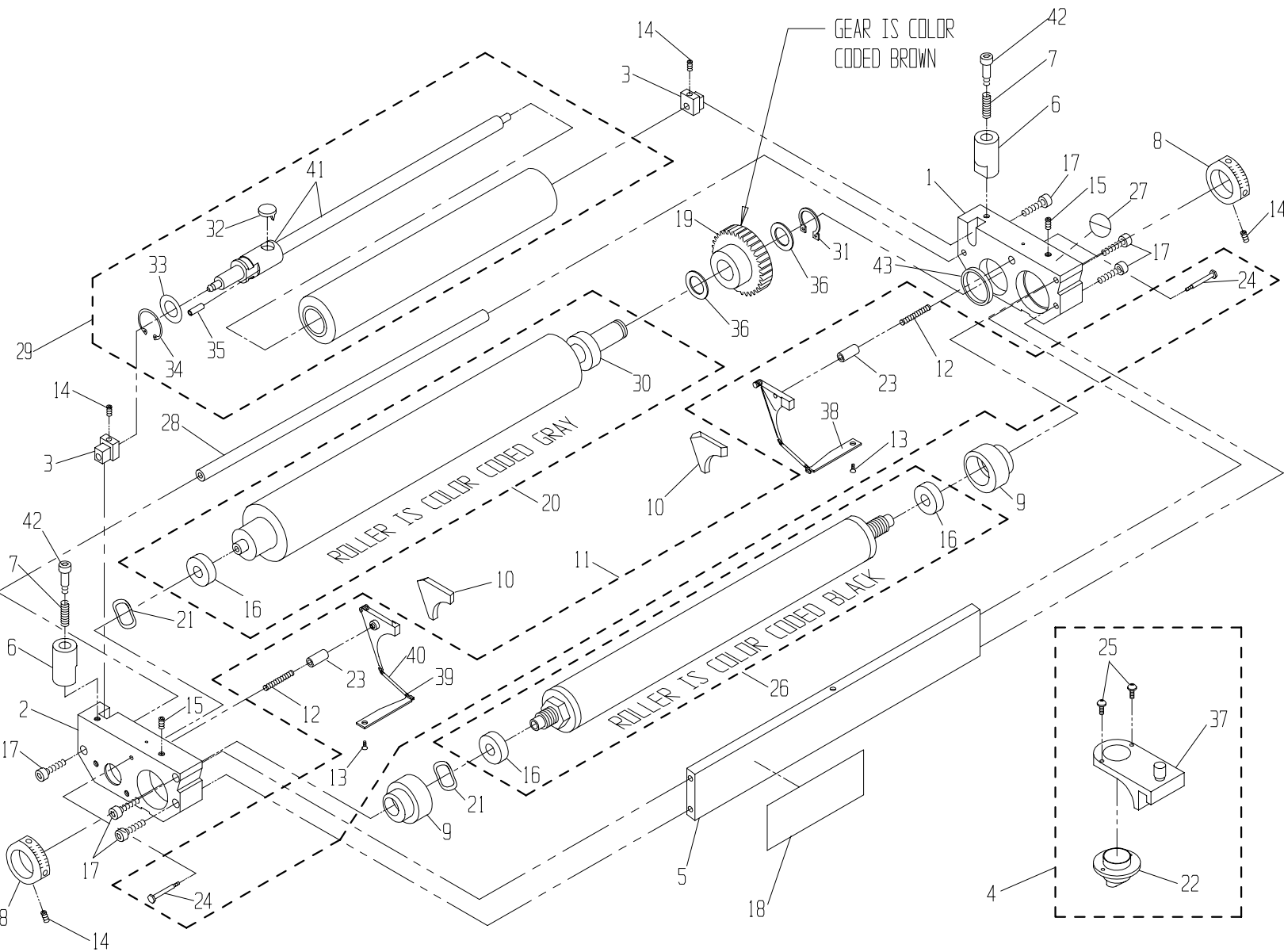
RYB - 332

Parts Catalog # 094102

RVB 332 PARTS CATALOG

P/N 094102

| REV | DESCRIPTION | ECN | BY | DATE |
|-----|------------------------|------|------|----------|
| - | RELEASED TO PRODUCTION | N/A | P.M. | 4-98 |
| A | ITEM #29 WAS 081311 | 1411 | Z.Z. | 06-15-98 |
| B | ITEM #29 WAS 091311 | 1793 | P.M. | 3-31-03 |

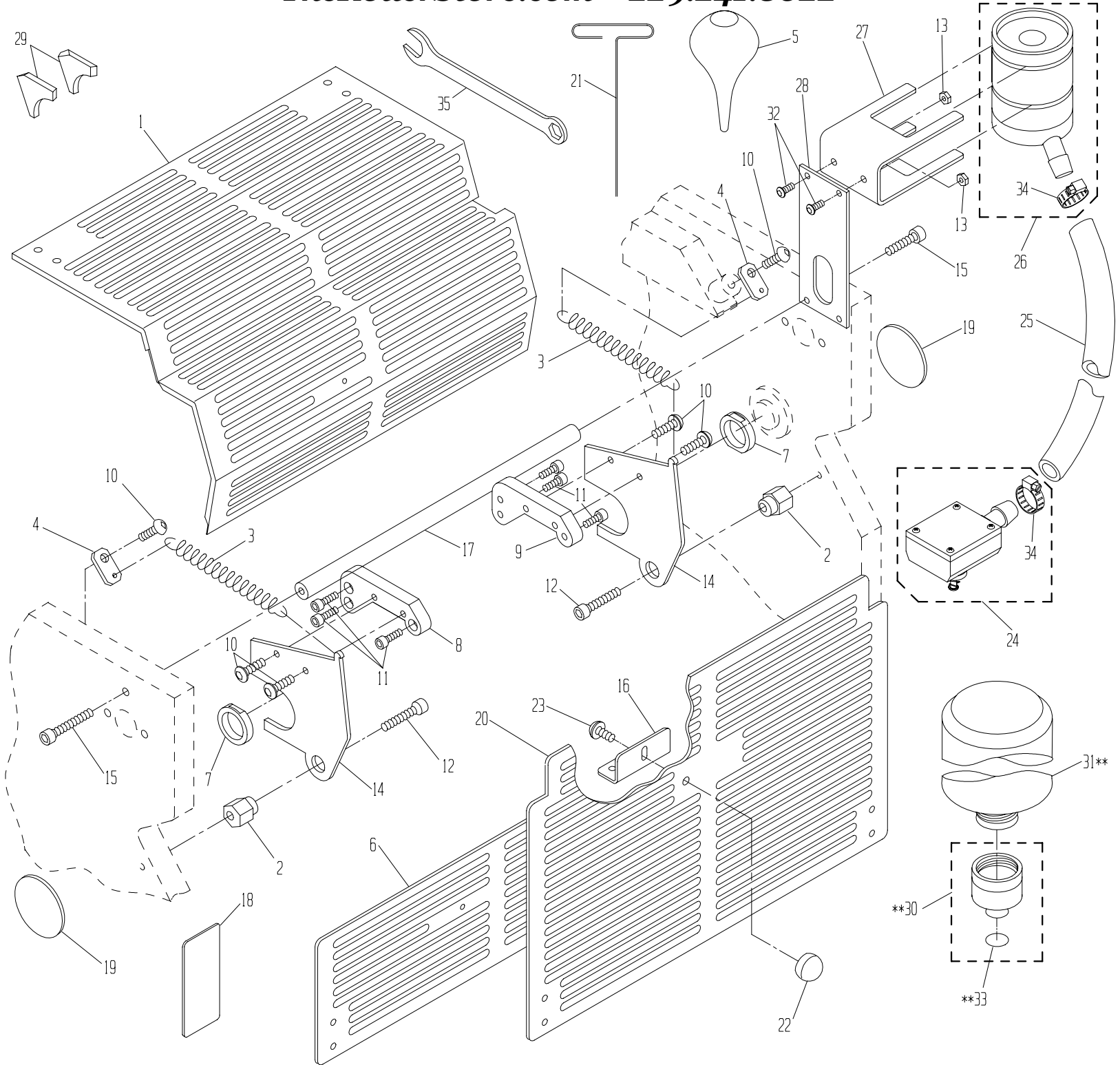


* PART IS INCLUDED IN OUTLINED SUBASSEMBLY.

| 43 | 094097 | SPACER, FORM ROLLER | 1 |
|-------|--------|------------------------------|-----|
| 42 | 091708 | SHOULDER SCREW, 6mm | 2 |
| 41 | 091262 | SHAFT ASSY, S.S. | * |
| 40 | 092259 | SPRING COVER | * |
| 39 | 092236 | TAB SPRING | * |
| 38 | 090971 | TAB, SHORT | * |
| 37 | 094997 | BRACKET, NOZZLE | * |
| 36 | 091966 | WASHER, FLAT | 2 |
| 35 | 091949 | SPRING PIN | * |
| 34 | 091997 | OSC. RETAINING CLIP | * |
| 33 | 091965 | OSC. RETAINING WASHER | * |
| 32 | 091111 | OSC. DRIVE SHAFT FOLLOWER | * |
| 31 | 091662 | RETAINING RING | 1 |
| 30 | 092586 | BEARING | * |
| 29 | 091319 | 13-1/4 OSC. ROLL. PARTS ASSY | 1 |
| ITEM# | PART # | DESCRIPTION | QTY |

| 28 | 090989 | TIE ROD | 1 |
|-------|--------|-----------------------------|-----|
| 27 | 092601 | SAFETY STICKER | 1 |
| 26 | 094240 | 13-1/4" METERING ROLLER W/B | 1 |
| 25 | 091907 | #6-32 X 3/8 PHILLIPS HD SCW | * |
| 24 | 092296 | SHOULDER SCREW | * |
| 23 | 092304 | GUIDE PIN | * |
| 22 | 092604 | NOZZLE | * |
| 21 | 092491 | WAVE WASHER | 2 |
| 20 | 091900 | 13-1/4" FORM ROLLER W/B | 1 |
| 19 | 092880 | GEAR CLUTCH ASSY | 1 |
| 18 | 090984 | I.D. STICKER (HAMADA) | 1 |
| 17 | 091898 | M5 x 35mm SOC. HD. SCREW | 6 |
| 16 | 092401 | BEARING | * |
| 15 | 091904 | M5 x 16mm SET SCREW | 2 |
| ITEM# | PART # | DESCRIPTION | QTY |

| 14 | 091888 | M5 x 5mm SET SCREW | 4 |
|-------|--------|----------------------------|-----|
| 13 | 091901 | M3 x 6mm SOC HD SCREW | * |
| 12 | 092238 | COMPRESSION SPRING | * |
| 11 | 090970 | BACKING PLATE KIT (HAMADA) | 1 |
| 10 | 092370 | SEAL SET (L & R) | 1 |
| 9 | 092291 | ECCENTRIC | 2 |
| 8 | 092612 | METERING GAUGE | 2 |
| 7 | 092007 | SPRING, COMPRESSION | 2 |
| 6 | 094991 | OSCILLATOR POST | 2 |
| 5 | 090979 | TIE BAR | 1 |
| 4 | 098750 | BRACKET NOZZLE ASSEMBLY | 1 |
| 3 | 090985 | ALIGNMENT BLOCK | 2 |
| 2 | 090993 | L.H. END FRAME | 1 |
| 1 | 090994 | R.H. END FRAME | 1 |
| ITEM# | PART # | DESCRIPTION | QTY |



* ITEM IS INCLUDED WITH OUTLINED SUBASSEMBLY.

** ITEMS 6, 20, 30, 31 & 33 ARE NOT INCLUDED WITH BRACKET KIT (P/N 094104).

| ITEM | PART NO. | DESCRIPTION | QTY. | ITEM | PART NO. | DESCRIPTION | QTY. | ITEM | PART NO. | DESCRIPTION | QTY. |
|------|----------|--------------------------|------|------|----------|------------------------------|------|------|----------|-----------------------------|------|
| 1 | 094385 | COVER (SAFETY) | 1 | 13 | 091968 | 10-24 NUT (LOCKING) | 2 | 25 | 092756 | 1/2" I.D. VINYL TUBING | 1 |
| 2 | 094387 | PIVOT BLOCK | 2 | 14 | 094382 | MOUNTING BRACKET | 2 | 26 | 092740 | BOTTLE VALVE ASS'Y | 1 |
| 3 | 094389 | SPRING (EXTENSION) | 2 | 15 | 091898 | M5 x 35mm SOC. HD. CAP SCREW | 2 | 27 | 092749 | UNIVERSAL BOTTLE BRACKET | 1 |
| 4 | 094391 | SPRING CLIP | 2 | 16 | 094398 | MAGNET SUPPORT | 1 | 28 | 092748 | UNIVERSAL BRACKET | 1 |
| 5 | 092778 | 1 oz. SYRINGE | 1 | 17 | 094401 | TIE BAR | 1 | 29 | 092370 | SEAL SET | 1 |
| 6 | 094399 | SAFETY SHIELD | ** | 18 | 094408 | RECTANGLE STICKER | 1 | 30 | 092760 | DISPENSING VALVE ASS'Y | ** |
| 7 | 094394 | FLANGE | 2 | 19 | 094409 | 2" DIA STICKER | 2 | 31 | 092771 | CALIBRATED BOTTLE | ** |
| 8 | 094098 | UNIT SUPPORT, L.H. | 1 | 20 | 094371 | LOWER SAFETY SHIELD | ** | 32 | 091819 | #10-24 x 1/2" BT. HD. SCREW | 2 |
| 9 | 094099 | UNIT SUPPORT, R.H. | 1 | 21 | 090756 | 2.5mm T-WRENCH | 1 | 33 | 092765 | O-RING | * |
| 10 | 091766 | M6 x 12mm BUT HD CAP SCW | 6 | 22 | 092055 | BALL KNOB | 1 | 34 | 091911 | ADJUSTABLE HOSE CLAMP | * |
| 11 | 091891 | M5 x 16mm CAP SCREW | 6 | 23 | 091840 | #10-32 x 3/8 PHILLIPS SCREW | 1 | 35 | 093554 | WRENCH | 1 |
| 12 | 091887 | 6mm x 30 CAP SCREW | 2 | 24 | 092750 | ADAPTER BASE ASS'Y | 1 | | | | |