

Date of Installation : _____

Unit Serial Number : _____

Kompac Dealer : _____

Kompac®



A DIVISION OF DAY INTERNATIONAL, INC.



DAY INTERNATIONAL, INC.

Image Transfer Group

Kompac



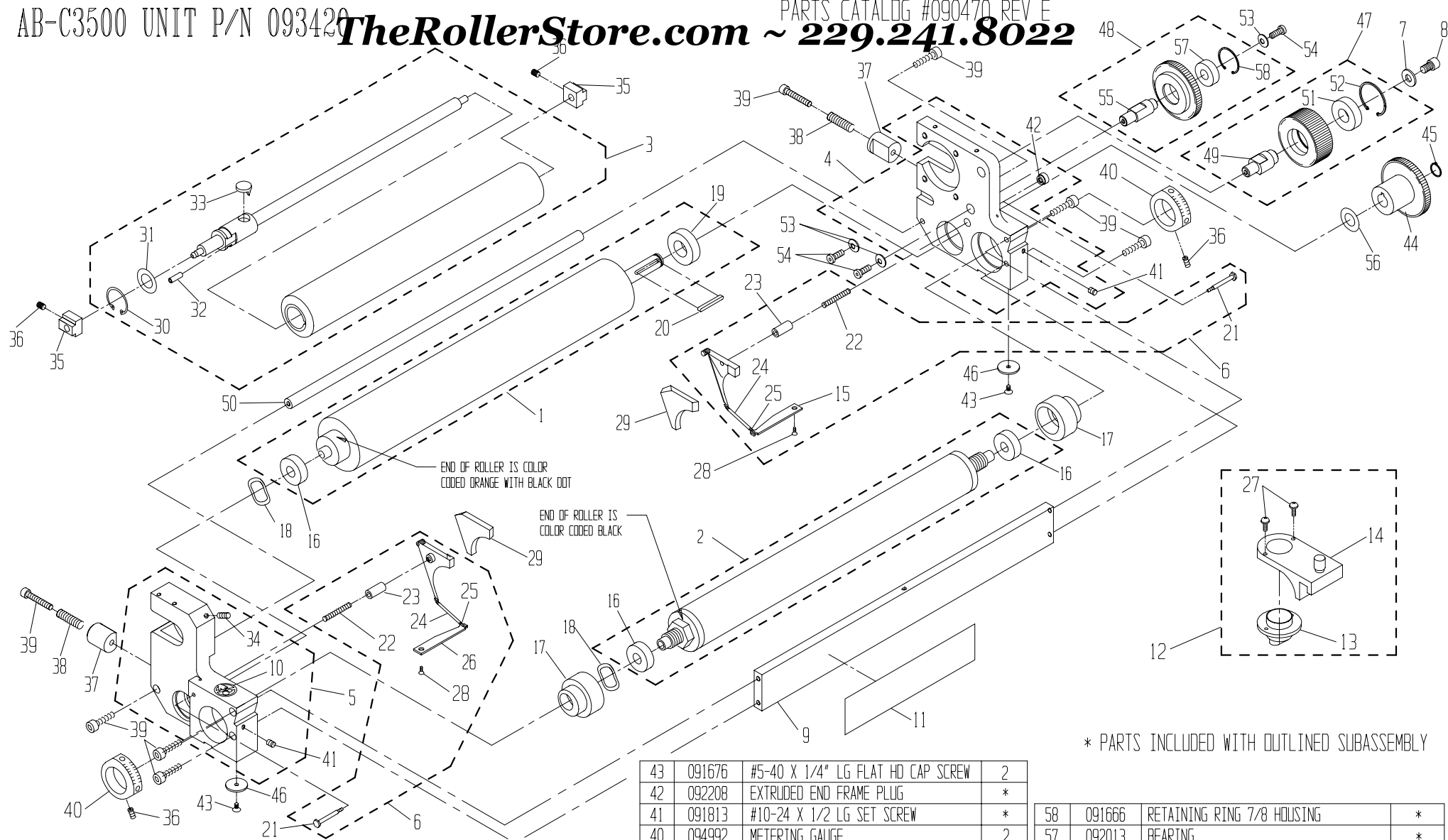
AB C3500 (OEM)

Parts Catalog # 090470

159 DWIGHT PLACE , FAIRFIELD , NEW JERSEY 07004

TEL: 973-227-8611 / 800-541-5702

FAX: 973-227-7532

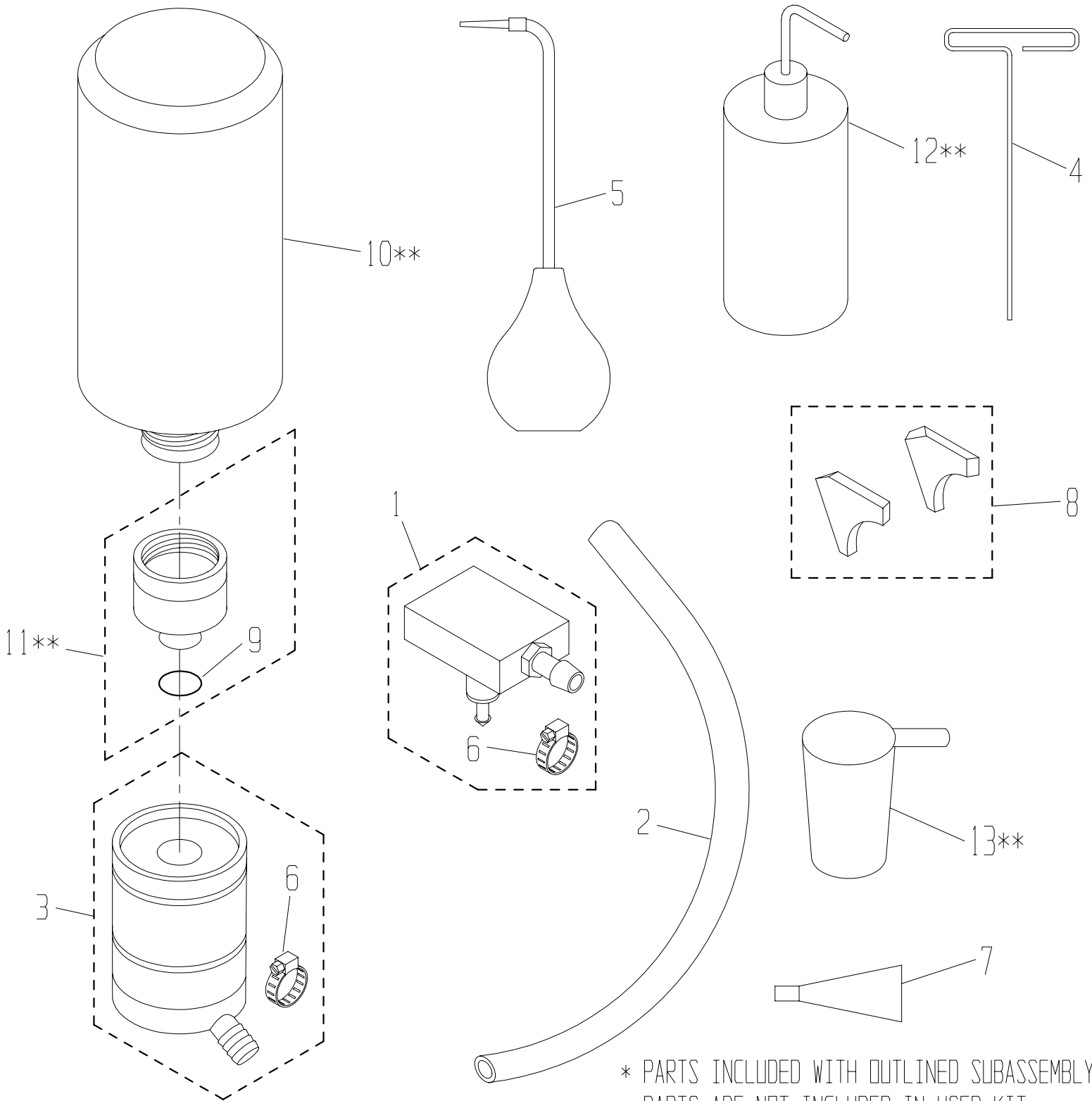


* PARTS INCLUDED WITH OUTLINED SUBASSEMBLY

13	092604	NOZZLE	*	26	092234	TAB (DP-SIDE)	*
12	098750	BRACKET NOZZLE ASSEMBLY	1	25	092236	TAB SPRING	*
11	090984	I.D. STICKER	1	24	092259	SPRING COVER	*
10	092601	SAFETY STICKER	1	23	092304	GUIDE PIN	*
9	095247	TIE PLATE	1	22	092238	COMPRESSION SPRING	*
8	091876	1/4-20 X 3/8 LG SDC HD CAP SCR.	1	21	092303	SHOULDER SCREW	*
7	091634	1/4 SAE FLAT WASHER	1	20	095224	KEY, FORM ROLL	1
6	090700	BACKING PLATE KIT	1	19	092586	BEARING	*
5	095239	ASSEMBLY, END FRAME L.H.	1	18	092491	WAVE WASHER	2
4	095238	ASSEMBLY, END FRAME R.H.	1	17	092291	ECCENTRIC	2
3	091311	ASSY, 13 1/4" OSC. LONG STROKE	1	16	092401	BEARING	*
2	094240	METERING ROLLER ASSEMBLY	1	15	090701	TAB (GEAR SIDE)	*
1	095193	FORM ROLL WITH BEARING	1	14	094997	BRACKET, NOZZLE	*
ITEM	PART NO.	DESCRIPTION	QTY.	ITEM	PART NO.	DESCRIPTION	QTY.

43	091676	#5-40 X 1/4" LG FLAT HD CAP SCREW	2
42	092208	EXTRUDED END FRAME PLUG	*
41	091813	#10-24 X 1/2 LG SET SCREW	*
40	094992	METERING GAUGE	2
39	091853	#10-32 X 1 1/8 LG SDC HD CAP SCREW	8
38	093466	COMPRESSION SPRING	2
37	095211	POST, OSCILLATOR	2
36	091811	#10-24 X 1/4 LONG SET SCREW	4
35	095209	BLOCK, ROLLER ALIGNMENT	2
34	091871	10-32 x 3/8 LG BRASS TIP SET SCREW	*
33	091111	OSC. DRIVE SHAFT FOLLOWER	*
32	091949	SPRING PIN	*
31	091965	OSC. RETAINING WASHER	*
30	091997	OSC. RET CLIP	*
29	092370	SEAL SET (L.H. & R.H. SEALS)	1
28	091802	#3-48 X 1/4 LG FLAT HD SCREW	*
27	091907	#6-32 X 3/8 LG PHIL HD SCREW	*
ITEM	PART NO.	DESCRIPTION	QTY.

58	091666	RETAINING RING 7/8 HOUSING	*
57	092013	BEARING	*
56	091966	SHIM	1
55	095195	SHAFT, IDLER	*
54	091915	#10-24 X 1/2 LG LOW HD SDC CAP SCR	3
53	091955	FLAT WASHER	3
52	091667	RETAINING RING 1 1/8 HOUSING	*
51	092012	BEARING	*
50	095248	TIE ROD	1
49	095194	SHAFT, IDLER	*
48	095241	ASSEMBLY, IDLER FORM	1
47	095242	ASSEMBLY, IDLER DRIVE	1
46	095206	WASHER, SPRING REST	2
45	091662	RETAINING RING, 12MM SHAFT	1
44	095197	GEAR, FORM	1
ITEM	PART NO.	DESCRIPTION	QTY.



* PARTS INCLUDED WITH OUTLINED SUBASSEMBLY
 ** PARTS ARE NOT INCLUDED IN USER KIT

7	092061	LOCTITE	1
6	091911	1/4 - 25/32 ADJUSTING CLAMP	*
5	092779	ASS'Y, SYRINGE, LONG NECK	1
4	090755	3/32 "T" HANDLE WRENCH	1
3	092740	BOTTLE VALVE ASSEMBLY	1
2	092756	1/2" I.D. X 3/4" O.D. PVC TUBING	1
1	092750	ADAPTER BASE ASSEMBLY	1
ITEM	PART NO.	DESCRIPTION	QTY.

13	092783	MEASURING CUP	**
12	092774	WASH-UP BOTTLE, LONG NECK	**
11	092760	DISPENSING VALVE	**
10	092771	ROUND CALIBRATED BOTTLE	**
9	092765	VALVE BODY O-RING	*
8	092370	SEAL SET(L.H. & R.H.)	1
ITEM	PART NO.	DESCRIPTION	QTY.