

Date of Installation : _____

Unit Serial Number : _____

Kompac Dealer : _____

Kompac®



A DIVISION OF DAY INTERNATIONAL, INC.



DAY INTERNATIONAL, INC.

Image Transfer Group

Kompac®



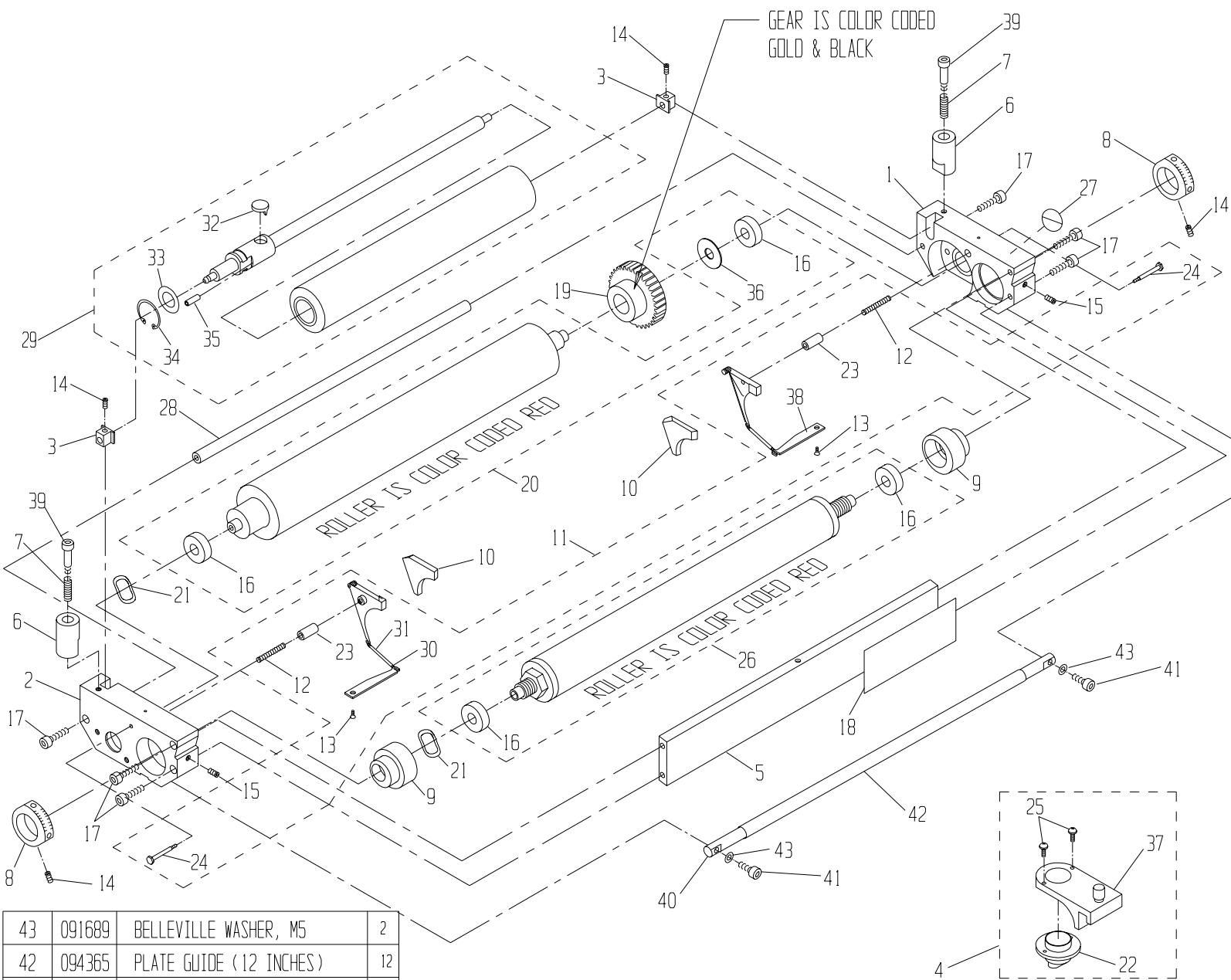
AB 8900

Parts Catalog # 094942

159 DWIGHT PLACE , FAIRFIELD , NEW JERSEY 07004

TEL: 973-227-8611 / 800-541-5702

FAX: 973-227-7532

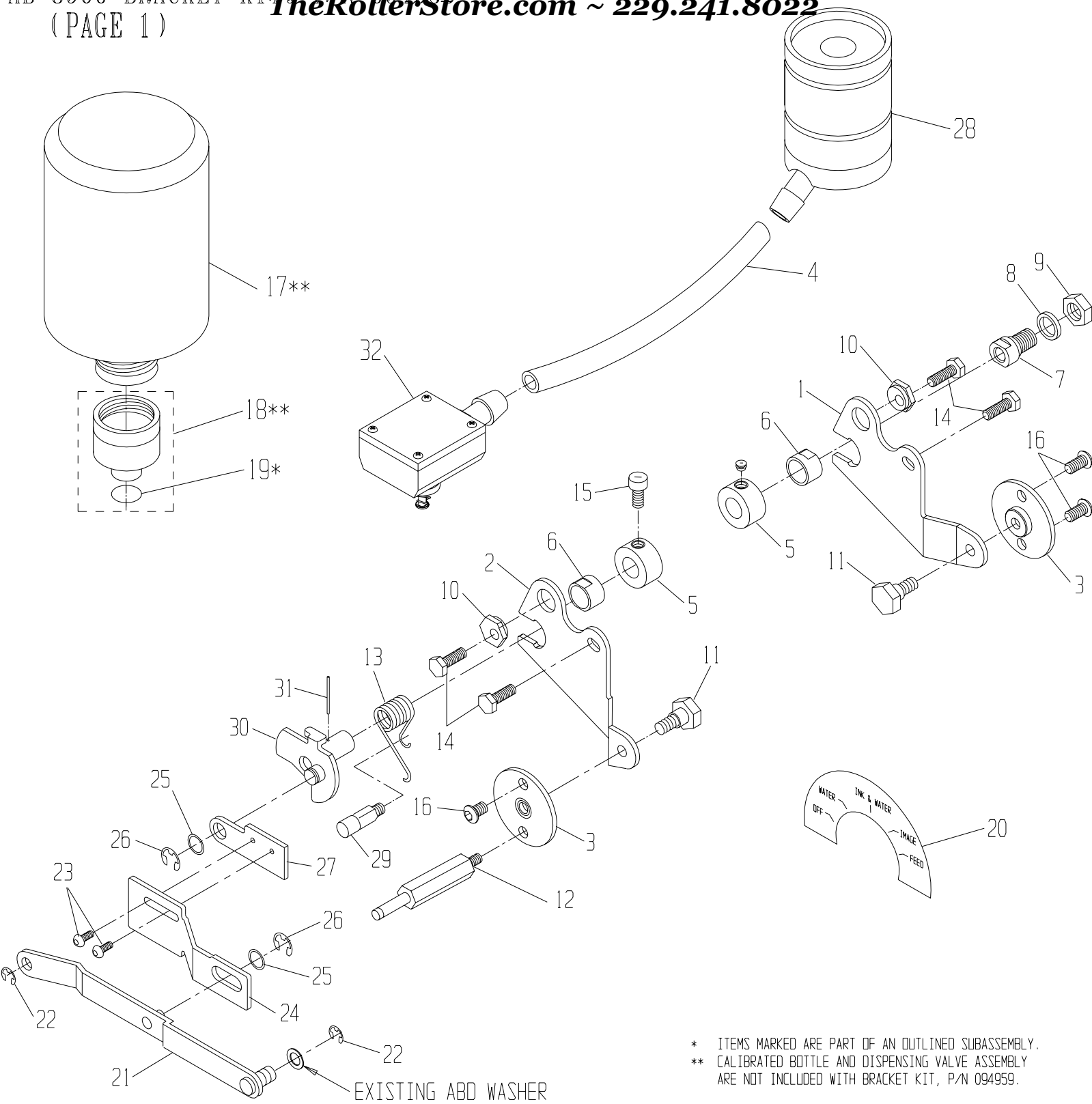


43	091689	BELLEVILLE WASHER, M5	2
42	094365	PLATE GUIDE (12 INCHES)	12
41	091915	SCREW, LOW HD. 10-24 x .50	2
40	094943	GUIDE BAR, 8900	1
39	091649	SHOULDER SCREW, 1/4 x 1-1/4	2
38	092234	TAB	*
37	094997	BRACKET, NOZZLE	*
36	092415	THRUST WASHER	*
35	091949	SPRING PIN	*
34	091997	OSC. RETAINING CLIP	*
33	091965	OSC. RETAINING WASHER	*
32	091111	OSC. DRIVE SHAFT FOLLOWER	*
31	092259	TAB SPRING COVER	*
30	092236	TAB SPRING	*
29	091303	OSCILLATOR	1
28	094945	TIE BAR, 8900	1
27	092601	SAFETY STICKER	1
ITEM#	PART #	DESCRIPTION	QTY

* PART IS INCLUDED IN OUTLINED SUBASSEMBLY.

26	092420	METERING ROLLER W/B	1
25	091907	#6-32 X 3/8 PHILLIPS HD SCW	*
24	092303	SHOULDER SCREW, SEAL PLATE	*
23	092304	GUIDE PIN	*
22	092604	COVER NOZZLE	*
21	092491	WAVE WASHER	2
20	092430	FORM ROLLER W/B	1
19	092940	GEAR CLUTCH ASSY, AB 8580	1
18	090984	I.D. STICKER	1
17	091853	#10-32 x 1.12 SOC. HD. SCREW	6
16	092401	BEARING (6000)	*
15	091813	#10-24 X 1/2 SET SCREW	2
14	091811	#10-24 X 1/4 SET SCREW	4
ITEM#	PART #	DESCRIPTION	QTY

13	091802	#3-48 X 1/4 FLAT HD SCREW	*
12	092238	COMPRESSION SPRING	*
11	092290	BACKING PLATE KIT (L & R)	1
10	092370	SEAL SET (L & R)	1
9	092291	ECCENTRIC	2
8	094992	METERING GAUGE	2
7	092007	SPRING, COMPRESSION	2
6	094991	OSCILLATOR POST	2
5	094944	TIE PLATE, 8900	1
4	098750	BRACKET NOZZLE ASSEMBLY	1
3	091219	ROLLER ALIGNMENT BLOCK	2
2	094994	END FRAME, L.H.	1
1	094993	END FRAME, R.H.	1
ITEM#	PART #	DESCRIPTION	QTY

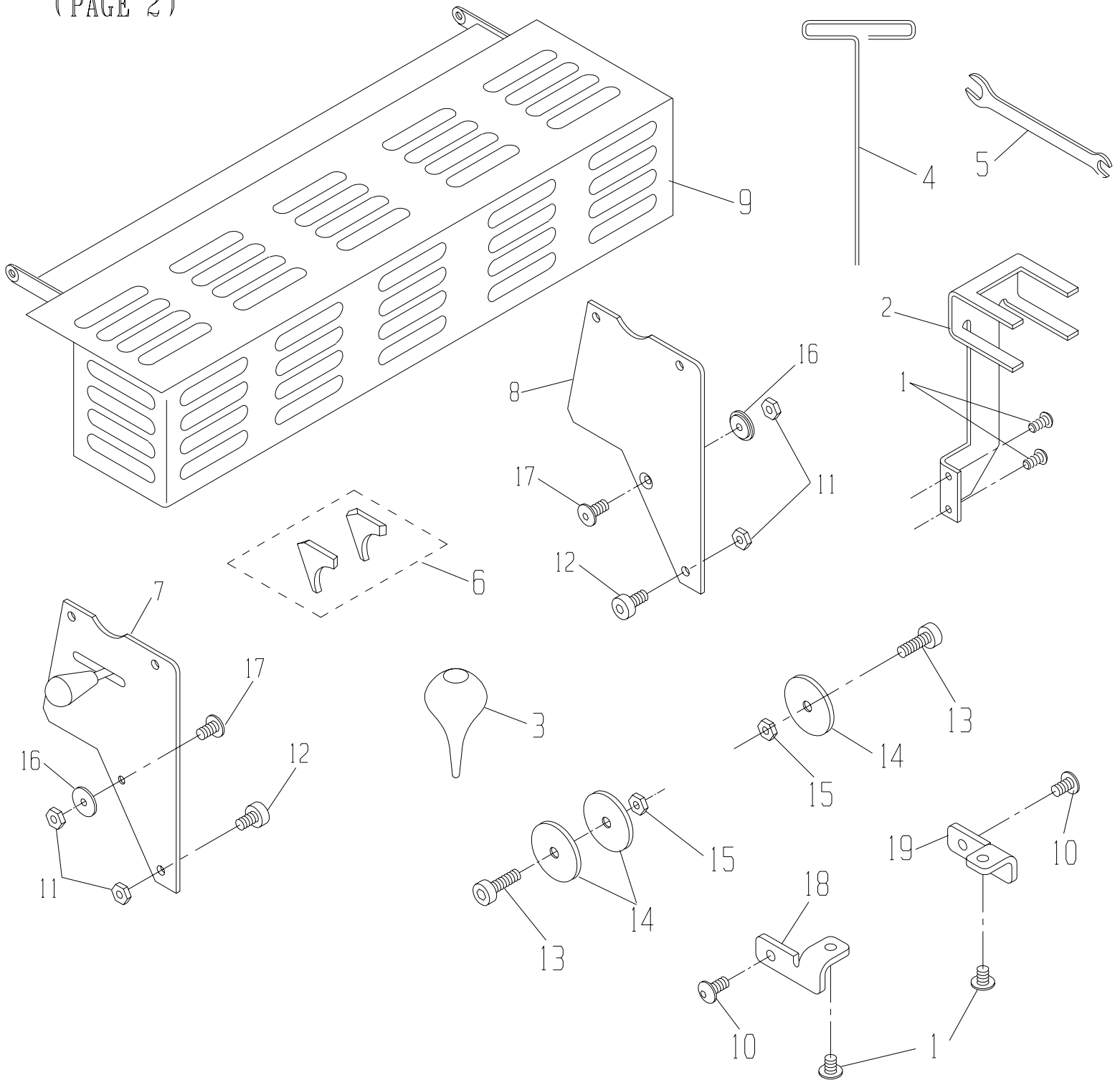


* ITEMS MARKED ARE PART OF AN OUTLINED SUBASSEMBLY.
** CALIBRATED BOTTLE AND DISPENSING VALVE ASSEMBLY ARE NOT INCLUDED WITH BRACKET KIT, P/N 094959.

32.	092750	ADAPTER BASE ASSY	1
31.	091943	3/32 x 1 ROLL PIN	1
30.	093787	POSITIVE STOP ASSY	1
29.	093809	POSITIVE STOP BOLT	1
28.	092740	BOTTLE VALVE ASSY	1
27.	093799	ABD SHORT LINK	1
26.	091995	E-RING, 3/8	2
25.	091956	SPACER WASHER	2
24.	093801	ABD LONG LINK	1
23.	091816	#10-24 x 3/8 BUTTON HD CAP SCW	2
ITEM	PART NO.	DESCRIPTION	QTY.

22.	091994	E-RING, 5/16	2
21.	093794	ABD FORM LINK ASSY	1
20.	093564	OPERATION STICKER	1
19.	092765	O-RING	*
18.	092760	DISPENSING VALVE ASSY	**
17.	092771	ROUND CALIBRATED BOTTLE	**
16.	091895	1/4-28 x 3/8 BUTTON HEAD SCREW	3
15.	091875	1/4-20 x 3/8 SOC HD CAP SCREW	1
14.	091867	1/4-20 x 1/2 HEX HEAD SCREW	4
13.	093811	TORSION SPRING	1
12.	094982	STID, DETENT, 5/16 THREAD	1
ITEM	PART NO.	DESCRIPTION	QTY.

11.	093568	SHOULDER BOLT	2
10.	093543	BRACKET ECCENTRIC	2
9.	091980	7/16-20 NUT	1
8.	093612	BEARING BOLT SLEAVE	1
7.	093812	BEARING BOLT	1
6.	093818	ECCENTRIC SHAFT BUSHING	2
5.	091910	9/16 COLLAR	2
4.	094986	TUBING, 1/2 I.D.	1
3.	093805	BOLT RETAINER ASSY	2
2.	093781	L.H. MOUNTING BRACKET	1
1.	093782	R.H. MOUNTING BRACKET	1
ITEM	PART NO.	DESCRIPTION	QTY.



19	094977	L.H. GUARD SUPPORT	1
18	094972	R.H. GUARD SUPPORT	1
17	091855	#10-32 x 5/8 FLAT HD SCREW	2
16	094136	SPACER	2
15	091932	1/4-20 NUT	2
14	091951	WASHER, FLAT	3
13	091859	1/4-20 x 3/4 BUT HD CAP SCREW	2
12	091842	#10-32 x 5/8 SOCKET HD CAP SCW	2
11	091969	#10-32 LOCK NUT	4
ITEM	PART NO.	DESCRIPTION	QTY.

10	091816	10-24 x 3/8 BUTTON HD CAP SCW	2
9	094946	GUARD, AB 890	1
8	093602	L.H. GUARD SUPPORT BKT	1
7	093609	ASSY, LOCKOUT	1
6	092370	KOMPAC SEAL SET	1
5	093555	KOMPAC WRENCH	2
4	090755	3/32 T-WRENCH	1
3	092778	KOMPAC SYRINGE	1
2	094999	BRACKET, BOTTLE (AB 990)	1
1	091817	#10-24 x 1/4 BUTTON HD CAP SCW	4
ITEM	PART NO.	DESCRIPTION	QTY.