

Date of Installation : \_\_\_\_\_

Unit Serial Number : \_\_\_\_\_

Kompac Dealer : \_\_\_\_\_

# Kompac®



A DIVISION OF DAY INTERNATIONAL, INC.



DAY INTERNATIONAL, INC.

Image Transfer Group

**Kompac®**



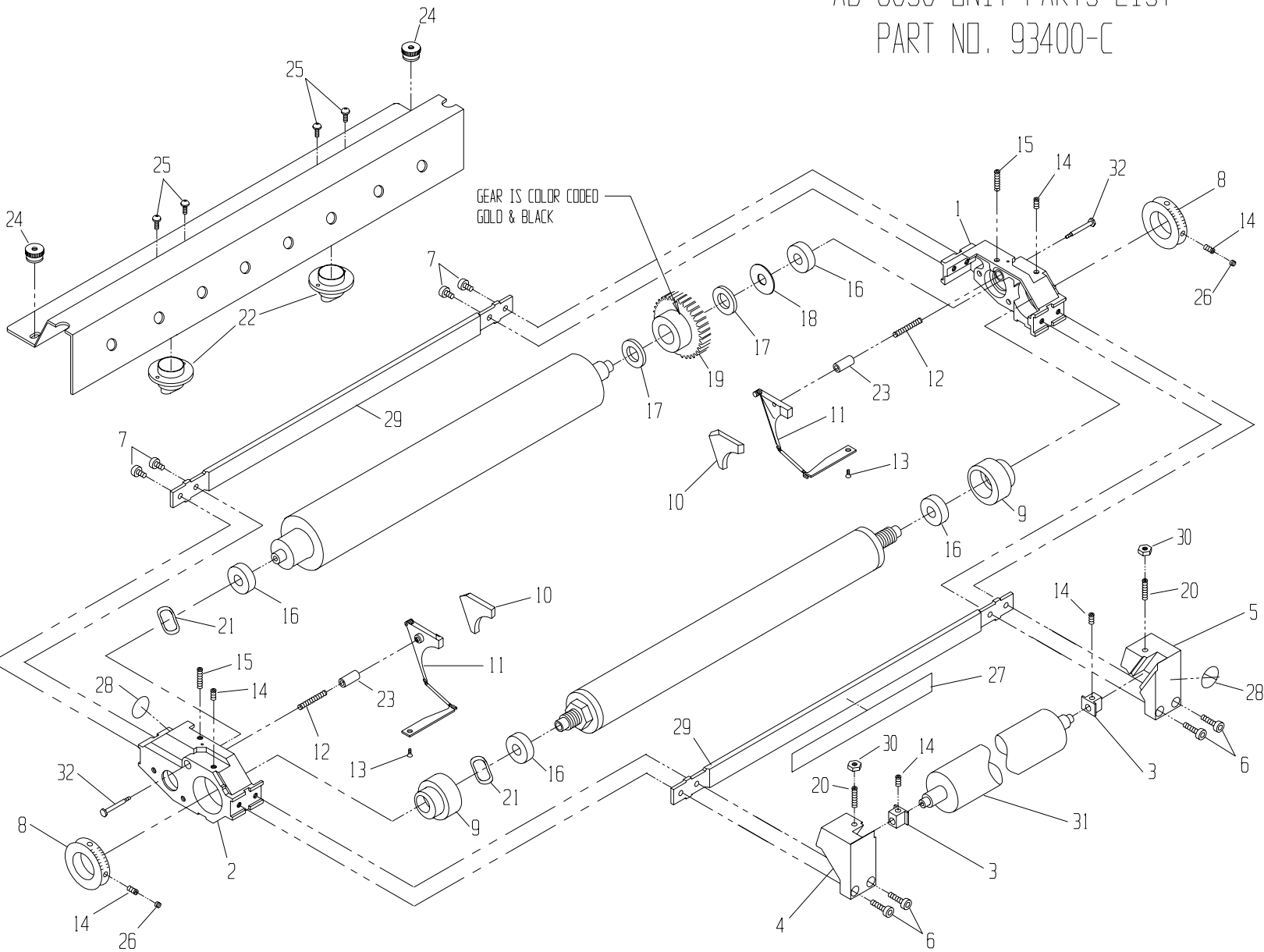
## AB 8090

Parts Catalog # 090492

159 DWIGHT PLACE , FAIRFIELD , NEW JERSEY 07004

TEL: 973-227-8611 / 800-541-5702

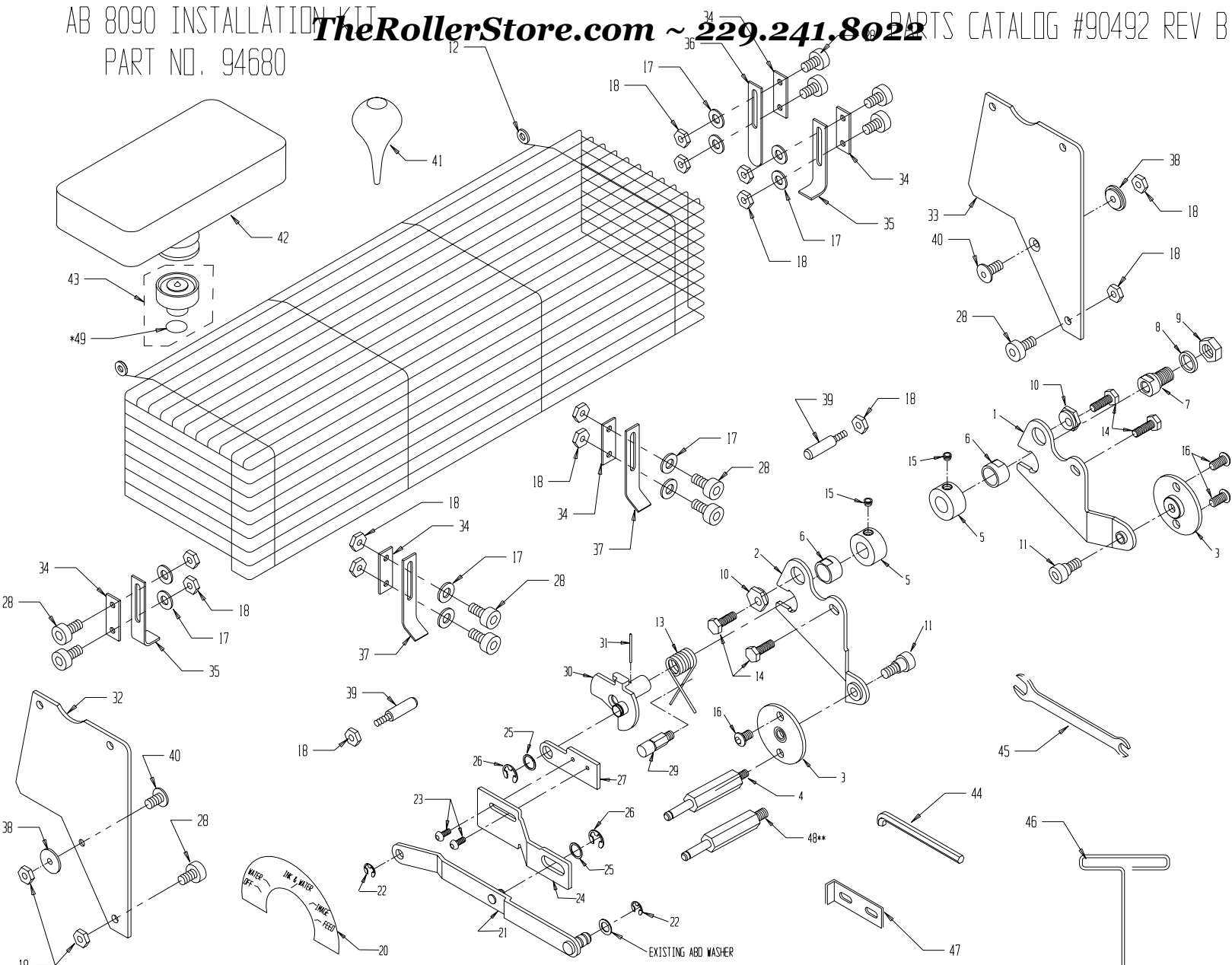
FAX: 973-227-7532



ITEM#	PART #	DESCRIPTION	QTY
1	92200	R.H. END FRAME ASSY	1
2	92210	L.H. END FRAME ASSY	1
3	91219	ALIGNMENT BLOCK	2
4	91018	L.H. OSC. END BLOCK	1
5	91017	R.H. OSC. END BLOCK	1
6	91829	#10-24 X 11/16" SDC HD SCREW	4
7	91818	#10-24 X 3/8 SDC HD SCREW	4
8	92222	METERING GAUGE	2
9	92291	ECCENTRIC	2
10	92370	SEAL SET (L.H. & R.H. SEALS)	1
11	92380	SEAL BACKING PLATE KIT	1
12	92238	COMPRESSION SPRING	2
13	91802	#3-48 X 1/4 FLAT HD SCREW	2
14	91811	#10-24 X 1/4 SET SCREW	6
15	91814	#10-24 X 3/4 STUD	2
16	92401	BEARING	4
17	92801	GREASE SEAL	2
18	92415	THRUST WASHER	1

ITEM#	PART #	DESCRIPTION	QTY
19	92940	GEAR CLUTCH ASSY	1
20	91851	#10-32 X 1" SET SCREW	2
21	92491	WAVE WASHER	2
22	92604	NOZZLE	2
23	92304	GUIDE PIN	2
24	92691	COVER NUT	2
25	91806	#6-32 X 3/8 PHILLIPS PAN HD	4
26	91810	#10-24 X 1/8 SLOT SET SCW	2
27	92494	WARNING STICKER	1
28	92601	INWARD NIP SYMBOL	2
29	92502	23 1/4" TIE BAR	2
30	91982	#10-32 NUT	2
31	91308	23 1/4" OSC. ROLLER ASS'Y	1
32	92303	SHOULDER SCREW	2

\* PARTS SHOWN ON THIS DRAWING WITHOUT ITEM NUMBERS ARE PART OF ANOTHER ASSEMBLY AND ARE LISTED ON BACK PAGE.

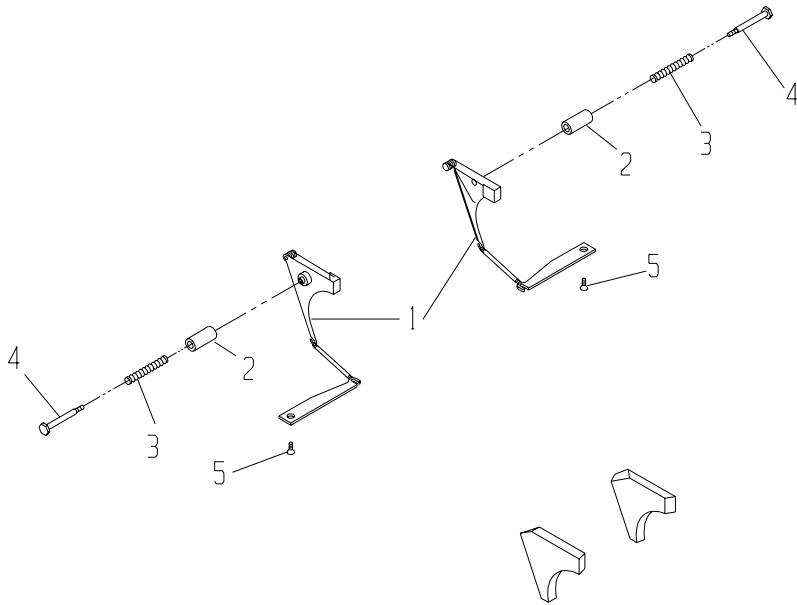


\* ITEMS MARKED ARE PART OF AN OUTLINED SUB ASSY

ITEM#	PART #	DESCRIPTION	QTY
1.	93820	RH MOUNTING BKT. ASSY	1
2.	93810	LH MOUNTING BKT. ASSY	1
3.	93800	BOLT RET. ASS'Y	2
4.	93613	DETENT STUD	1
5.	91910	9/16" COLLAR	2
6.	93818	ECCENTRIC SHAFT BUSHING	2
7.	93812	BEARING BOLT	1
8.	93612	BEARING BOLT SLEEVE	1
9.	91980	7/16 - 20 NUT	1
10.	93543	BRACKET ECCENTRIC	2
11.	93804	SHOULDER BOLT	2
12.	94470	WIRE GUARD ASS'Y 8090	1
13.	93822	TORSION SPRING	1
14.	91867	1/4"-20x1/2" HEX HD SCREW	4
15.	91870	BRASS TIPPED SET SCREW	2
16.	91895	1/4"-28x3/8" BUTTON HD SCREW	3
17.	91955	WASHER, 3/16"	10
18.	91969	10-32 LOCK-NUT	16
19.	92370	KOMPAC SEAL SET	1
20.	93564	OPERATION STICKER	1
21.	93794	ABD FORM LINK ASSEMBLY	1
22.	91994	E-RING (5/16")	2
23.	91816	#10-24x3/8 BUTTON HD. CAP SCREW	2
24.	93801	ABD LONG LINK	1

\*\* THIS STUD IS USED IN PLACE OF ITEM 4 ON SOME NEWER PRESS MODELS.

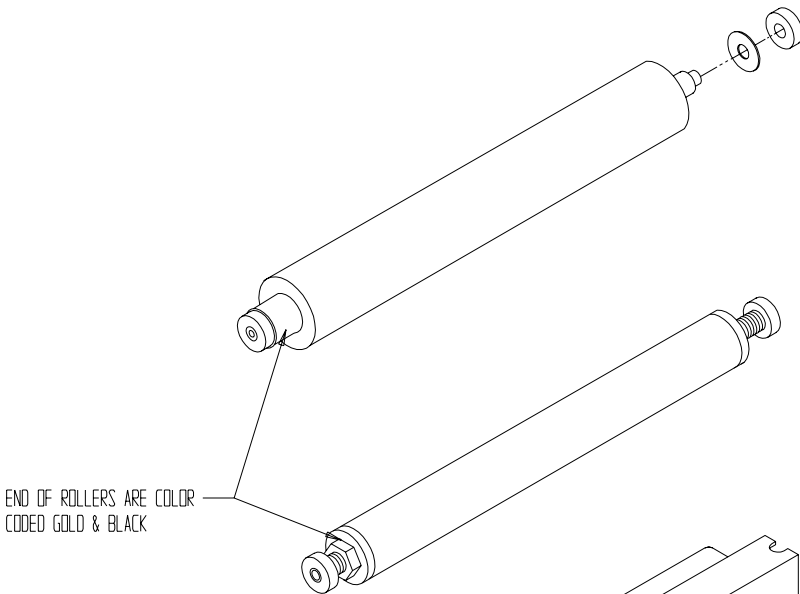
ITEM#	PART #	DESCRIPTION	QTY
25.	91956	SPACER WASHER	2
26.	91995	E-RING (3/8")	2
27.	93799	ABD SHORT LINK	1
28.	91842	10-32 x 5/8 SOC HD CAP SCREW	12
29.	93809	STOP BOLT	1
30.	93787	POSITIVE STOP ASSEMBLY	1
31.	91943	3/32 x 1" ROLL PIN	1
32.	93601	R.H. WIRE GAIRD SUPPORT BRACKET	1
33.	93602	L.H. WIRE GAIRD SUPPORT BRACKET	1
34.	94132	BACKING PLATE	5
35.	94133	ADJUSTING FOOT	2
36.	94134	SWITCH BAR	1
37.	94135	ADJUSTABLE STOP	2
38.	94136	SPACER	2
39.	94137	RETAINING PIN	2
40.	91855	10-32 x 5/8 FLAT HD. SCREW	2
41.	92778	1 OZ. SYRINGE	1
42.	92777	LOW PROFILE BOTTLE	2
43.	92780	LOW PROFILE DISPENSING VALVE	2
44.	93708	3/16" ALLEN WRENCH	1
45.	93555	KOMPAC WRENCH	2
46.	90755	3/32" T-WRENCH	1
47.	94139	MAGNET SUPPORT	1
48.	94982	STUD, DETENT, 5/16 THREAD	1
49.	92765	O-RING	1



BACKING PLATE ASS'Y  
PART NO. 92290

ITEM#	PART #	DESCRIPTION	QTY
1	92380	L.H. & R.H. BACKING PLATES	1
2	92304	GUIDE PIN	2
3	92238	COMPRESSION SPRING	2
4	92303	SHOULDER BOLT	2
5	91802	#3-48 x 1/4" FLAT HEAD SCREW	2

L.H. & R.H. VIRGIN SEAL SET  
PART NO. 92370

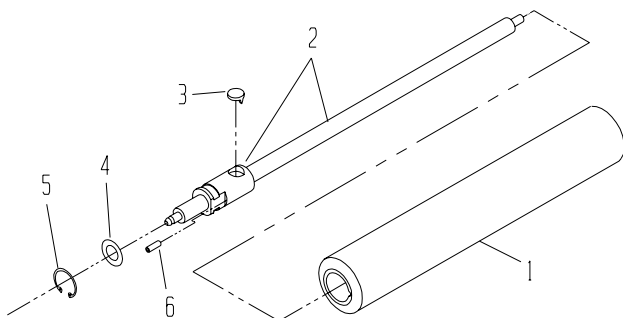


FORM ROLLER ASS'Y 23 1/4"  
PART NO. 92720  
(INCLUDING TWO BEARINGS,  
AND, ONE THRUST WASHER)

METERING ROLLER ASS'Y 23 1/4"  
PART NO. 92710  
(INCLUDING TWO BEARINGS)

OSCILLATOR COVER ASS'Y  
PART NO. 91380  
(INCLUDING TWO NOZZLES,  
AND FOUR SCREWS)

OSCILLATOR ROLLER ASS'Y  
PART NO. 91308



ITEM#	PART #	DESCRIPTION	QTY
1	91180	OSCILLATOR ROLLER	1
2	91280	OSCILLATOR SHAFT ASSY	1
3	91111	DRIVE SHAFT FOLLOWER	1
4	91965	RETAINING WASHER	1
5	91997	RETAINING CLIP	1
6	91949	SPRING PIN	1