

Date of Installation : _____

Unit Serial Number : _____

Kompac Dealer : _____

Kompac®



A DIVISION OF DAY INTERNATIONAL, INC.



DAY INTERNATIONAL, INC.

Image Transfer Group

Kompac



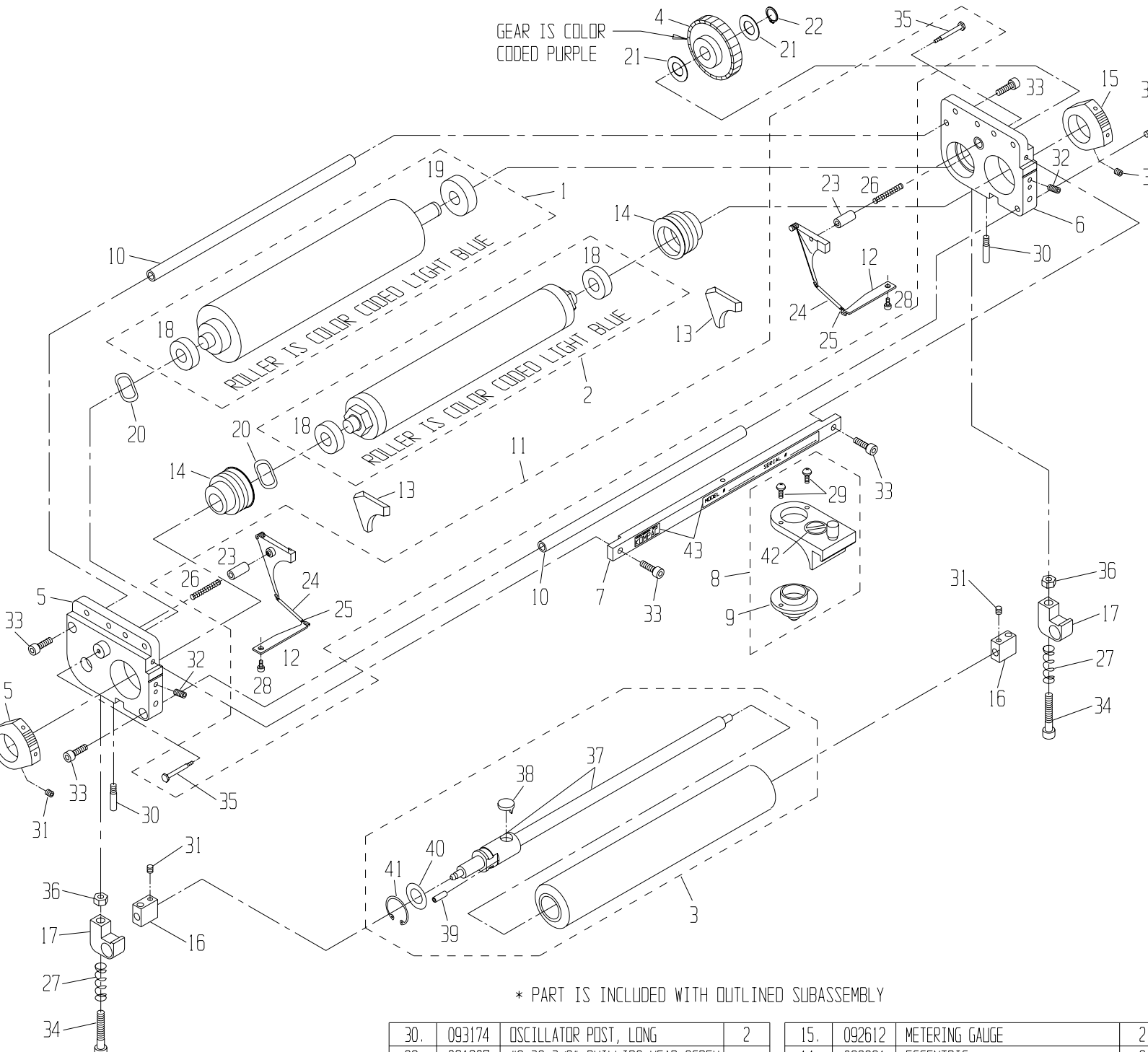
HMD 600-2-O

Parts Catalog # 093322

159 DWIGHT PLACE , FAIRFIELD , NEW JERSEY 07004

TEL: 973-227-8611 / 800-541-5702

FAX: 973-227-7532



* PART IS INCLUDED WITH OUTLINED SUBASSEMBLY

ITEM	PART #	DESCRIPTION	QTY.
43.	095854	STICKER, I.D.	1
42.	092601	WARNING STICKER (INWARD NIP)	1
41.	091997	OSC. RETAINING CLIP	*
40.	091965	OSC. RETAINING WASHER	*
39.	091949	SPRING PIN (5/32x1/2")	*
38.	091111	OSC. DRIVE SHAFT FOLLOWER	*
37.	091252	OSC. SHAFT ASSY, L.S.	*
36.	091753	M6x1 HEX NUT	2
35.	092296	BACK. PLATE SHOULDER SCW, SHORT	*
34.	091592	M6x40mm SOCKET HEAD SCREW	2
33.	091891	M5x16mm SOCKET HEAD SCREW	6
32.	091897	M5x10mm SET SCREW	2
31.	091888	M5x5mm SET SCREW	4

ITEM	PART #	DESCRIPTION	QTY.
30.	093174	OSCILLATOR POST, LONG	2
29.	091907	#6-32x3/8" PHILLIPS HEAD SCREW	*
28.	091901	M3x6mm SOCKET HEAD SCREW	*
27.	092007	SPRING, COMPRESSION	2
26.	092238	COMPRESSION SPRING	*
25.	092236	TAB SPRING (EXTENSION)	*
24.	092259	SPRING COVER	*
23.	092304	GUIDE PIN	*
22.	091662	RETAINING RING (12mm)	1
21.	091966	WASHER, FLAT (.478x.878x.02")	2
20.	092491	WAVE WASHER	2
19.	092586	BEARING (12x32x10mm)	*
18.	092401	BEARING (10x26x8mm)	*
17.	094342	SPRING HOUSING	2
16.	093165	BLOCK, OSCILLATOR	2

ITEM	PART #	DESCRIPTION	QTY.
15.	092612	METERING GAUGE	2
14.	092291	ECCENTRIC	2
13.	092370	KOMPAC SEAL SET	1
12.	090971	TAB, SHORT	*
11.	090970	BACKING PLATE KIT (HAMADA)	1
10.	092138	TIE ROD	2
9.	092604	NOZZLE	*
8.	098750	ASSY, BRACKET NOZZLE	1
7.	093265	TIE PLATE	1
6.	093182	ASSY, END FRAME, R.H.	1
5.	093181	ASSY, END FRAME, L.H.	1
4.	090969	GEAR CLUTCH ASSY	1
3.	091303	11-1/2" OSC. ROLLER PARTS ASSY	1
2.	092145	METER. ROLLER W/B(HMD 11-5/8")	1
1.	092144	FORM ROLLER W/B (HMD 11-5/8")	1

