

Date of Installation : _____

Unit Serial Number : _____

Kompac Dealer : _____

Kompac®



A DIVISION OF DAY INTERNATIONAL, INC.



DAY INTERNATIONAL, INC.

Image Transfer Group

Kompac®



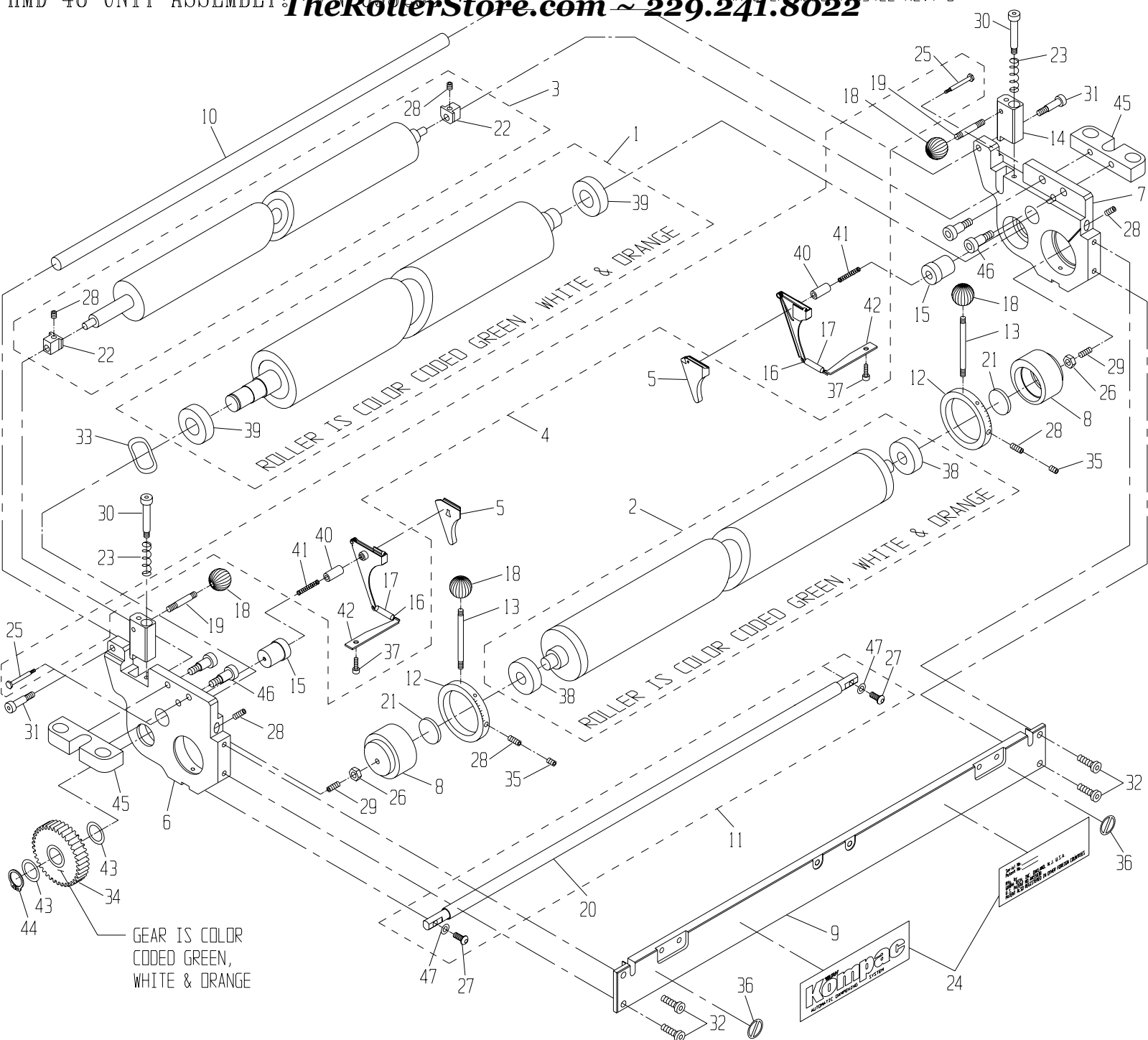
HMD 48

Parts Catalog # 093422

159 DWIGHT PLACE , FAIRFIELD , NEW JERSEY 07004

TEL: 973-227-8611 / 800-541-5702

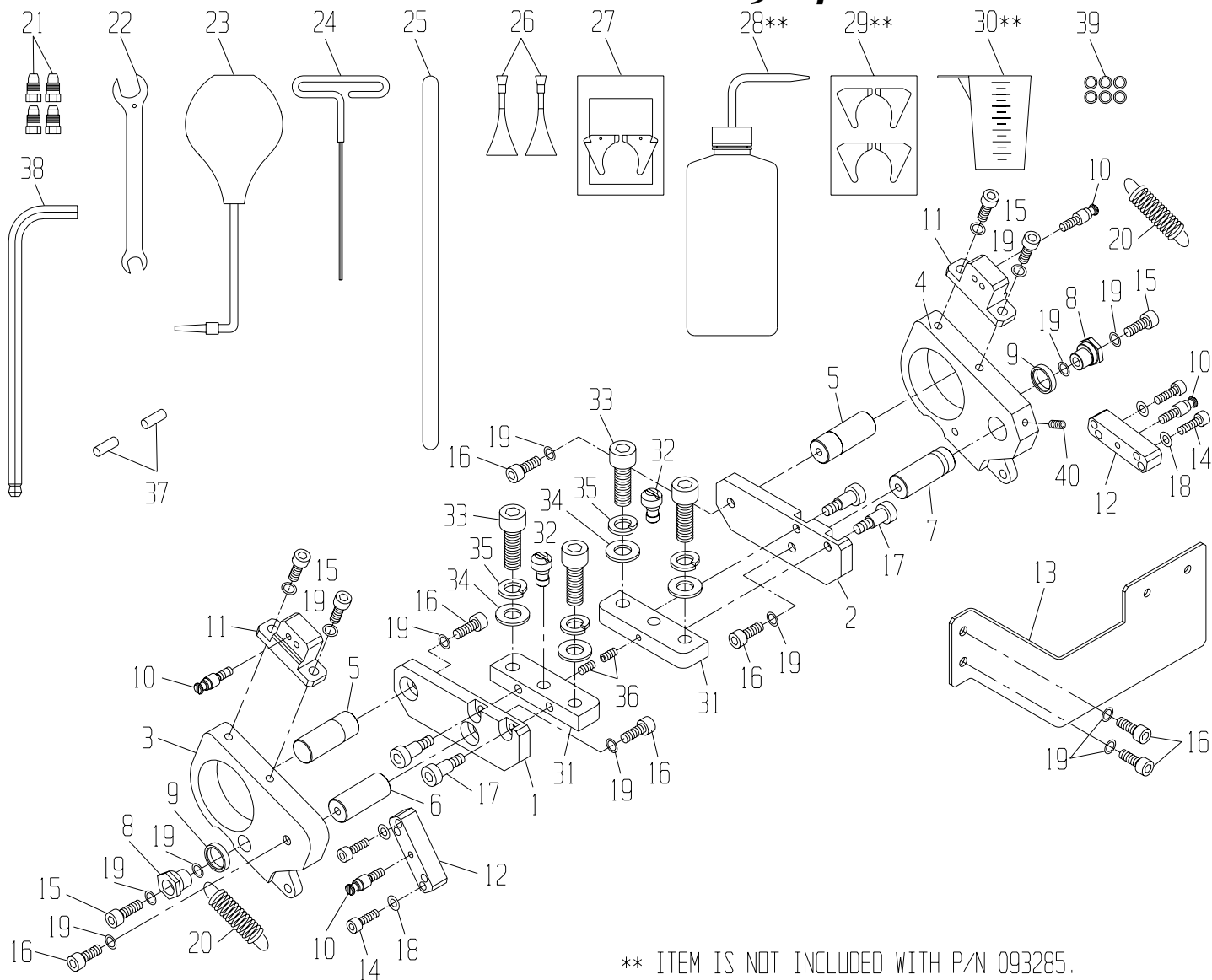
FAX: 973-227-7532



* ITEM IS INCLUDED WITH OUTLINED SUBASSEMBLY.

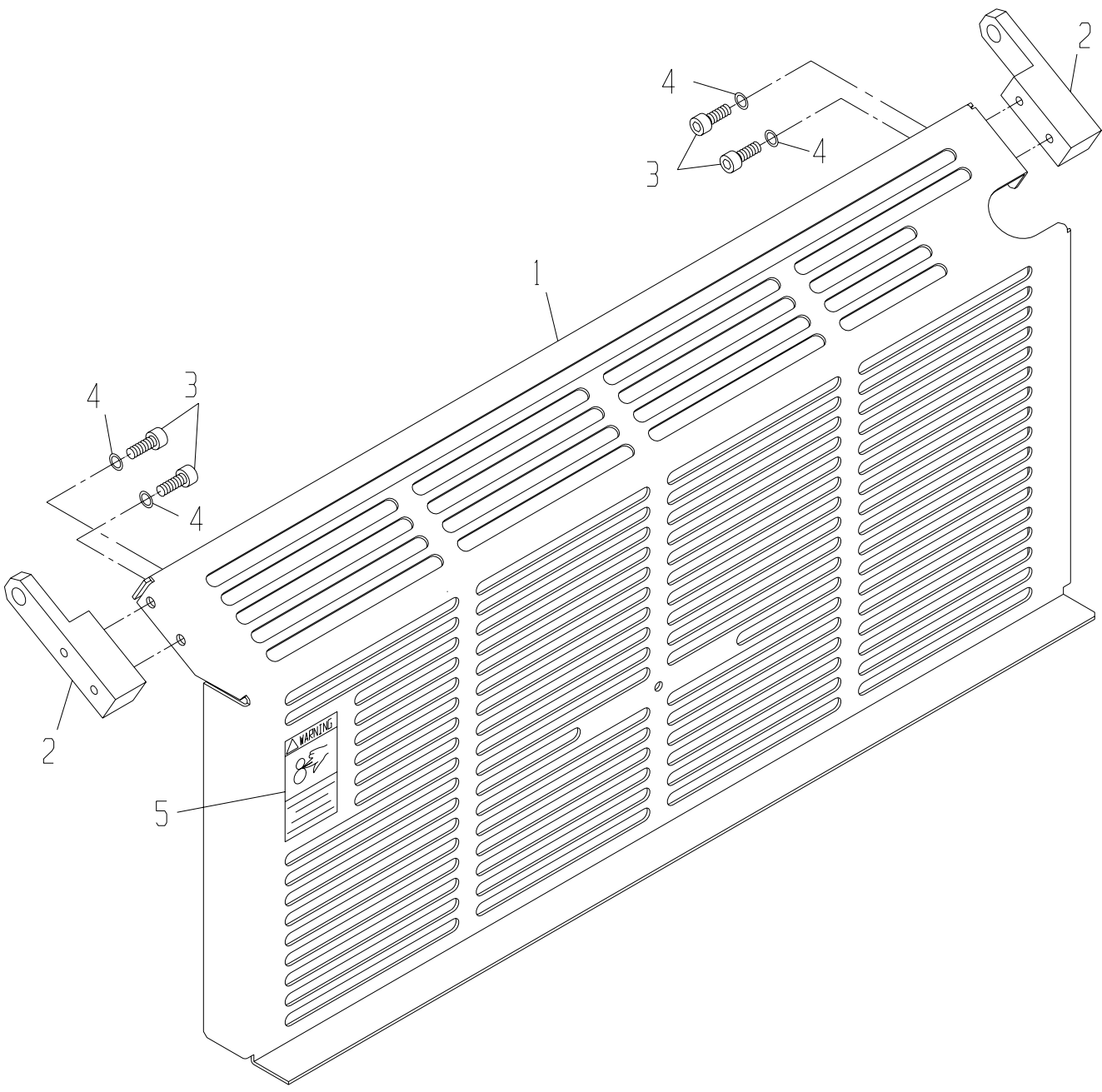
** ITEM 11 IS INCLUDED WITH THE BRACKET KIT, P/N 093285.

47.	091689	M5 BELLEVILLE WASHER	**	32.	091773	M6 X 12mm CAP SCREW	4	16.	092236	SPRING	*
46.	091712	M8 x 12mm SHOULDER SCREW	4	31.	091711	M6 x 16mm SHOULDER SCREW	2	15.	091407	BACKING PLATE STANDOFF	2
45.	091419	ATTACHMENT BLOCK, GTD	2	30.	091708	M6 SHOULDER SCREW	2	14.	095697	CLAMP, OSCILLATOR	2
44.	091663	16mm EXT. RETAINING RING	1	29.	091703	M5 X 12mm SET SCREW	2	13.	093367	THREADED STUD, M5/#10-32x1.75"	2
43.	092119	SHIM WASHER, 16x22x0.3mm	2	28.	091888	M5 X 5mm SET SCREW	4*	12.	091416	METERING GAUGE	2
42.	091406	SPRING PLATE (K III)	*	27.	091765	M5 X 12mm BUTTON HD CAP SCREW	**	11.	093365	ASSY, GUIDE BAR, HMD-248	**
41.	092242	COMPRESSION SPRING	*	26.	091752	M5 NUT	2	10.	093301	TIE ROD, HMD-248	1
40.	092304	GUIDE PIN	*	25.	092303	SEAL PLATE SHOULDER SCREW	2	9.	093299	TIE PLATE, HMD-248	1
39.	092102	BEARING, 17x35x10mm (6003)	*	24.	093369	LABELS, TIE PLATE	1	8.	091412	ECCENTRIC, METERING ROLLER	2
38.	092586	BEARING, BALL, LIGHT SERIES	*	23.	092122	COMP. SPRING, .360x1.25x.049	2	7.	093298	END FRAME, R.H., HMD-248	1
37.	091760	M4 X 10mm CAP SCREW	*	22.	092174	METRIC ALIGNMENT BLOCK	*	6.	093296	END FRAME, L.H., HMD-248	1
36.	092601	SAFETY STICKER	2	21.	091413	THRUST PLATE	2	5.	090850	R.H. AND L.H. SEAL SET (K III)	1
35.	091909	M5 X 4mm SLOTTED SET SCREW	2	20.	094365	PLATE GUIDE	**	4.	091450	SEAL BACKING PLATE KIT (K III)	1
34.	093347	ASSY, GEAR-CLUTCH, KIII	1	19.	091417	THREADED STUD, SHORT	2	3.	093346	KOLORMATE ASSY, 48cm	1
33.	091783	WASHER, WAVE, 35mm	1	18.	092055	BALL KNOB	4	2.	093291	ASSY, METERING ROLLER, 48-C	1
ITEM	PART #	DESCRIPTION	QTY.	17.	092259	TUBING	*	1.	093286	ASSY, FORM ROLLER, 48-CL	1

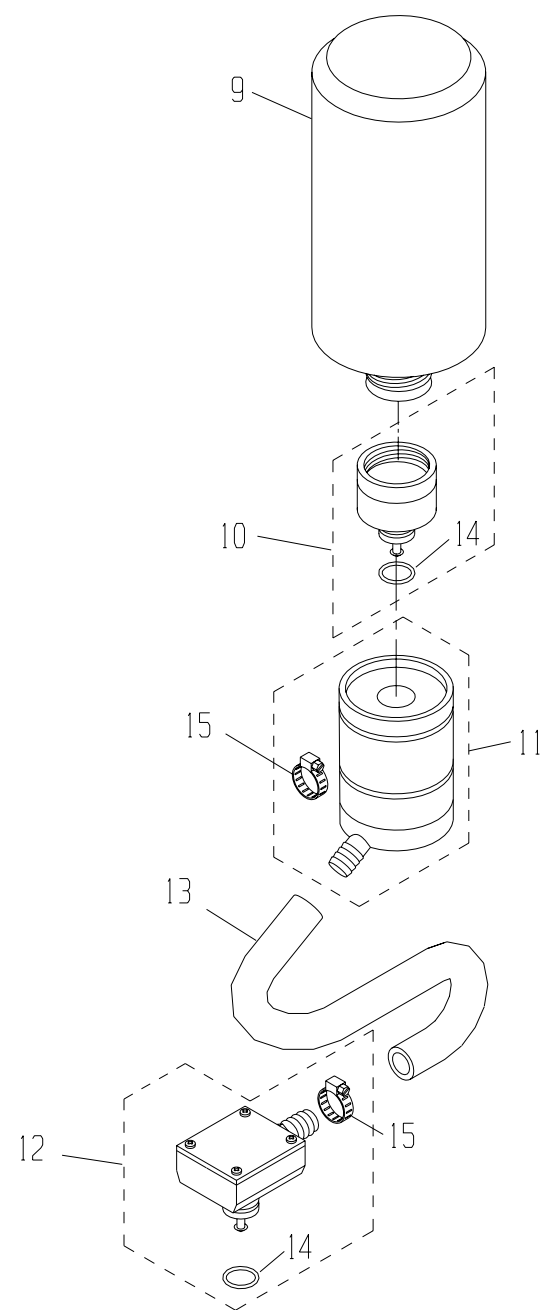
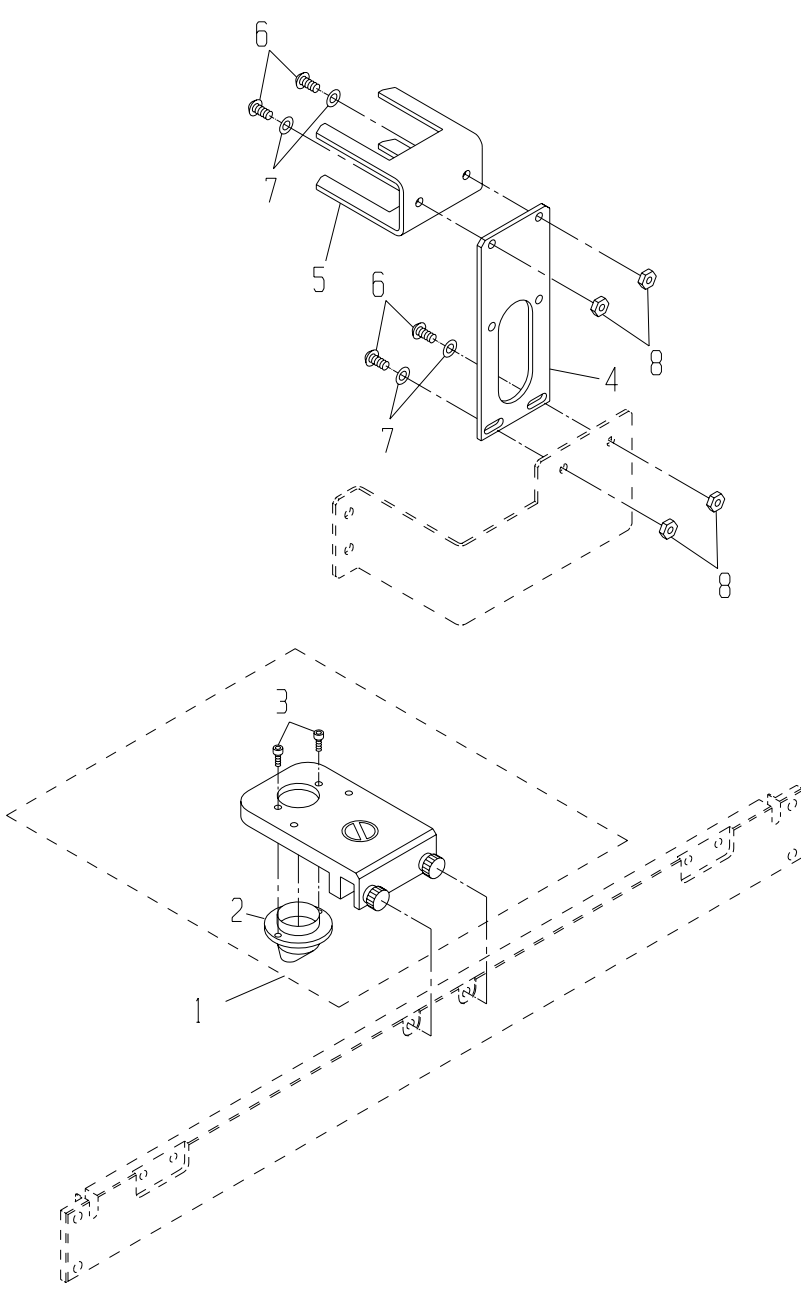


** ITEM IS NOT INCLUDED WITH P/N 093285.

40.	092128	M5x10mm CONE POINT SET SCREW	1	20.	092099	EXTENSION SPRING, 1.9x.50x.08	2
39.	093368	SHIM WASHER	6	19.	091637	M6 BELLEVILLE WASHER	15
38.	090758	8mm HEX L-KEY	1	18.	091689	M5 BELLEVILLE WASHER	4
37.	092121	M6x16mm DOWEL PIN (OVERSIZE)	2	17.	091710	M6x10mm SOCKET SHOULDER SCREW	4
36.	091888	M5x5mm SET SCREW	2	16.	091761	M6x18mm SOCKET HEAD CAP SCREW	7
35.	091741	M10 SPLIT LOCK WASHER	4	15.	092024	M6x16mm SOCKET HEAD CAP SCREW	6
34.	091976	M10 FLAT WASHER	4	14.	091696	M5x20mm SOCKET HEAD CAP SCREW	4
33.	091629	M10x30mm SOCKET HEAD CAP SCREW	4	13.	093319	BOTTLE/RRM BRACKET, HMD-248-2	1
32.	091511	KIII ADJUSTMENT ECCENTRIC	2	12.	093345	PRESS SPRING BRKT, HMD-248-2	2
31.	093366	MOUNTING BLOCK, HMD-248/252	2	11.	093344	UNIT SPRING BRKT, HMD-248-2	2
30.	092783	MEASURING CUP	**	10.	093342	SPRING STANDOFF, M5x.275x.375	4
29.	094900	KOMPAC III CLEANING SEALS (4)	**	9.	093307	ON/OFF FOLLOWER, HMD-248	2
28.	092774	LONG NECK WASH-UP BOTTLE	**	8.	093308	ON/OFF ECCENTRIC, HMD-248	2
27.	090850	KOMPAC SEAL SET	1	7.	093353	ON/OFF SHAFT, HMD-248, NDP	1
26.	092061	LOCTITE THREAD LOCKER	1	6.	093351	ON/OFF SHAFT, HMD-248, OP	1
25.	092117	FEELER GAUGE, .030 THICK	1	5.	093349	PIVOT SHAFT, HMD-248	2
24.	090756	2.5mm T-WRENCH	1	4.	093304	ON/OFF BRKT, HMD-248-2, NDP	1
23.	092779	LONG NECK SYRINGE	2	3.	093303	ON/OFF BRKT, HMD-248-2, OP	1
22.	093555	KOMPAC WRENCH	1	2.	093312	MOUNTING BRKT, HMD-248-2, NDP	1
21.	092092	PLUG, BIJUR	4	1.	093311	MOUNTING BRKT, HMD-248-2, OP	1
ITEM	PART #	DESCRIPTION	QTY.	ITEM	PART #	DESCRIPTION	QTY.



5.	098134	SAFETY LABEL	1
4.	091637	M6 BELLEVILLE WASHER	4
3.	092024	M6x16mm SOCKET HEAD CAP SCREW	4
2.	093339	BRACKET	2
1.	093423	SAFETY GUARD	1
ITEM	PART #	DESCRIPTION	QTY.



* PART IS INCLUDED WITH OUTLINED SUBASSEMBLY.

				10.	092760	DISPENSING VALVE ASSY	1
				9.	092772	1/2 GALLON CALIBRATED BOTTLE	1
				8.	091752	M5 NUT	4
				7.	091689	WASHER, BELLEVILLE (M5)	4
				6.	091765	M5 X 12mm BUTTON HEAD SCREW	4
				5.	092749	UNIVERSAL BOTTLE BRACKET	1
				4.	092748	UNIVERSAL BRACKET	1
				3.	091907	SCREW, #6-32 X 3/8 PHIL PAN HD	*
				2.	092604	NOZZLE	*
				1.	093358	ASSY, NOZZLE BRACKET, HMD-248	1
15.	091911	ADJUSTABLE HOSE CLAMP	*				
14.	092765	DISPENSING VALVE O-RING	*				
13.	092756	1/2" I.D. VINYL TUBING	1				
12.	090968	ASSY, BASE, HAMADA	1				
11.	092740	BOTTLE VALVE ASSY	1				
ITEM	PART #	DESCRIPTION	QTY.	ITEM	PART #	DESCRIPTION	QTY.