

Date of Installation : _____

Unit Serial Number : _____

Kompac Dealer : _____

Kompac®



A DIVISION OF DAY INTERNATIONAL, INC.



DAY INTERNATIONAL, INC.

Image Transfer Group

Kompac



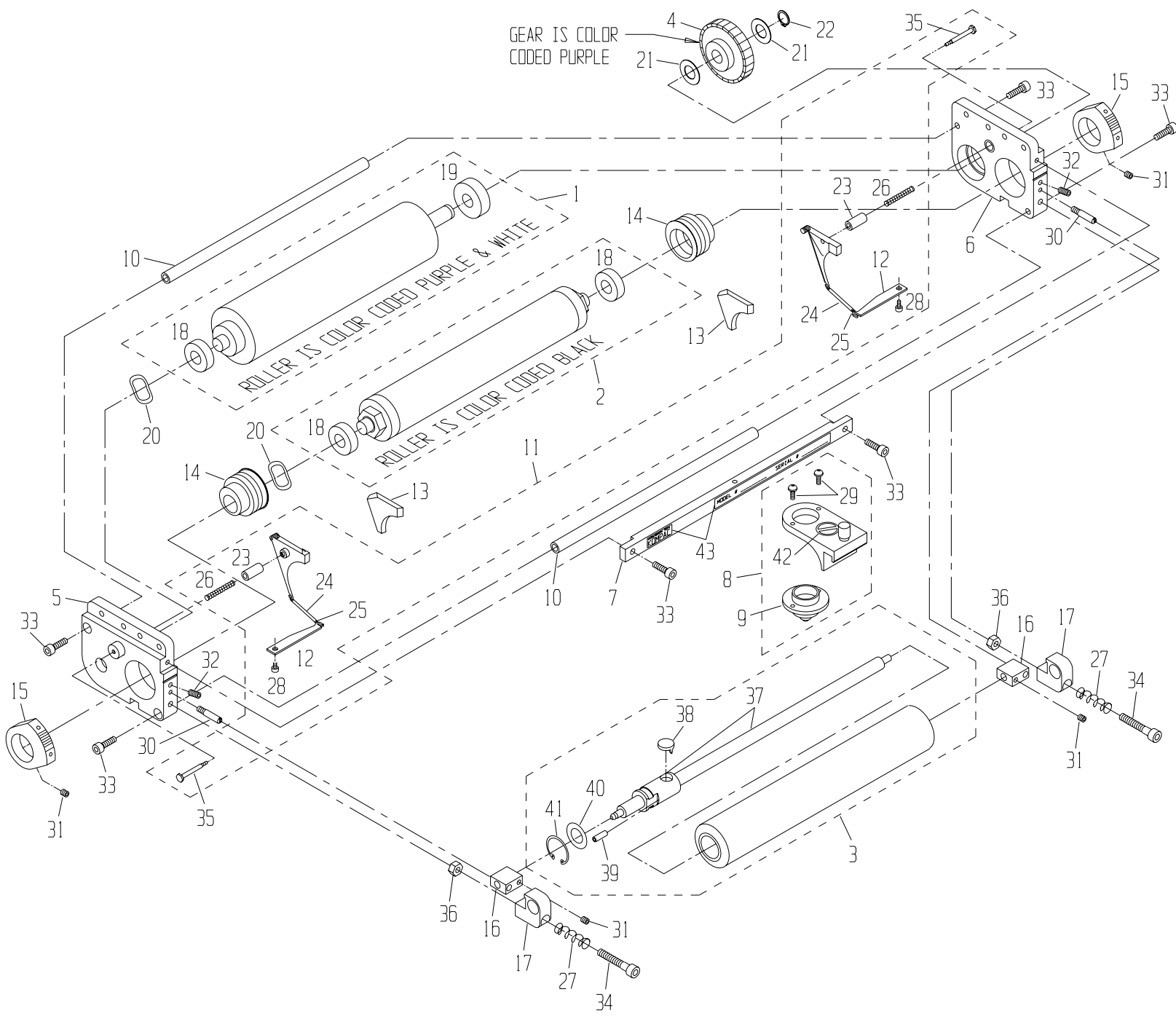
HMD 47-2-0

Parts Catalog # 093252

159 DWIGHT PLACE , FAIRFIELD , NEW JERSEY 07004

TEL: 973-227-8611 / 800-541-5702

FAX: 973-227-7532

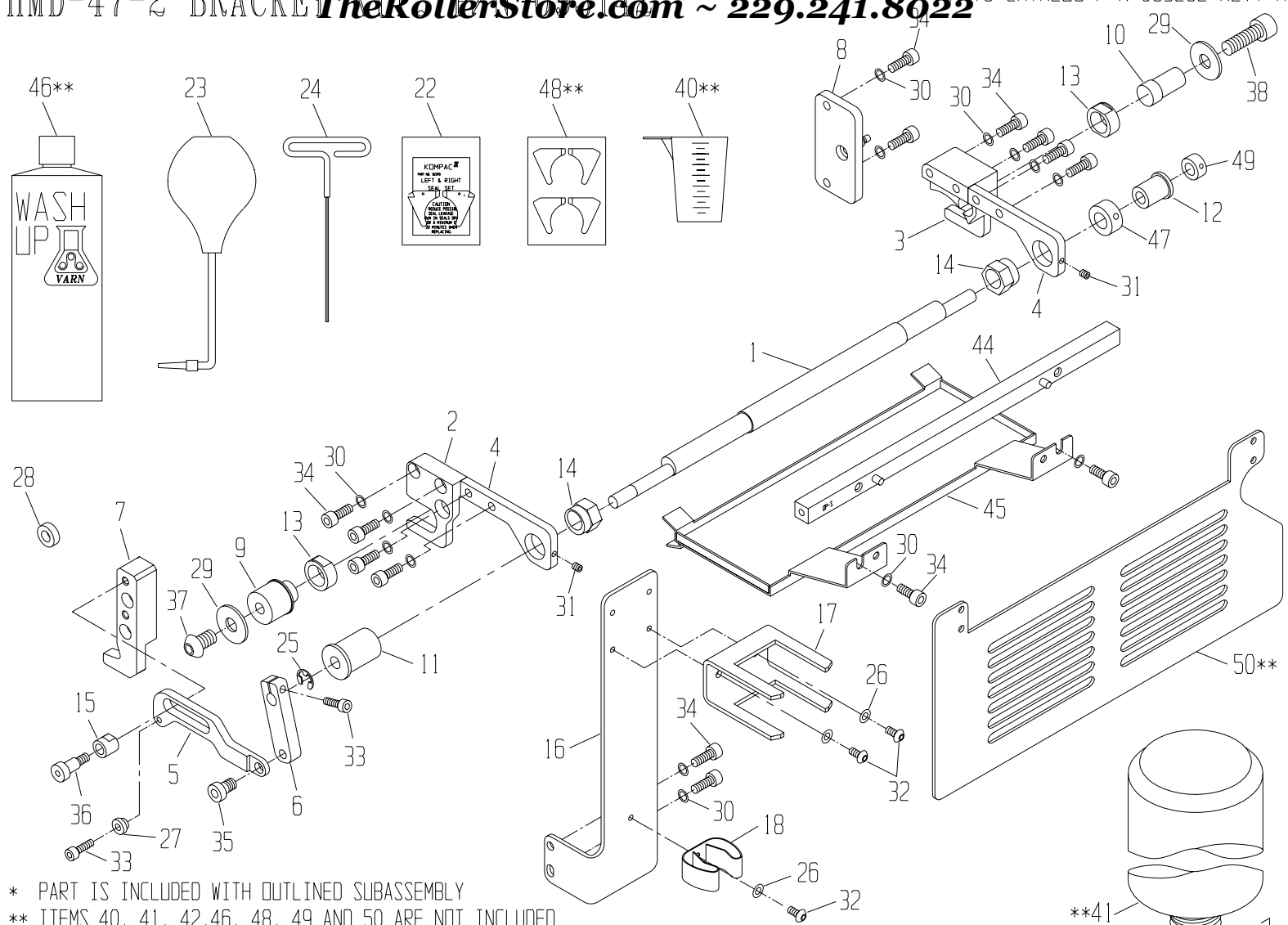


* PART IS INCLUDED WITH OUTLINED SUBASSEMBLY

ITEM	PART #	DESCRIPTION	QTY.
43.	095854	STICKER, I.D.	1
42.	092601	WARNING STICKER (INWARD NIP)	1
41.	091997	OSC. RETAINING CLIP	*
40.	091965	OSC. RETAINING WASHER	*
39.	091949	SPRING PIN (5/32x1/2")	*
38.	091111	OSC. DRIVE SHAFT FOLLOWER	*
37.	091252	OSC. SHAFT ASSY, L.S.	*
36.	091753	M6x1 HEX NUT	2
35.	092296	BACK. PLATE SHOULDER SCW, SHORT	*
34.	091762	M6x35mm SOCKET HEAD SCREW	2
33.	091891	M5x16mm SOCKET HEAD SCREW	6
32.	091897	M5x10mm SET SCREW	2
31.	091888	M5x5mm SET SCREW	4

30.	093174	OSCILLATOR POST, LONG	2
29.	091907	#6-32x3/8" PHILLIPS HEAD SCREW	*
28.	091901	M3x6mm SOCKET HEAD SCREW	*
27.	092007	SPRING, COMPRESSION	2
26.	092238	COMPRESSION SPRING	*
25.	092236	TAB SPRING (EXTENSION)	*
24.	092259	SPRING COVER	*
23.	092304	GUIDE PIN	*
22.	091662	RETAINING RING (12mm)	1
21.	091966	WASHER, FLAT (.478x.878x.02")	2
20.	092491	WAVE WASHER	2
19.	092586	BEARING (12x32x10mm)	*
18.	092401	BEARING (10x26x8mm)	*
17.	094342	SPRING HOUSING	2
16.	093165	BLOCK, OSCILLATOR	2

15.	092612	METERING GAUGE	2
14.	092291	ECCENTRIC	2
13.	092370	KOMPAC SEAL SET	1
12.	090971	TAB, SHORT	*
11.	090970	BACKING PLATE KIT (HAMADA)	1
10.	093108	TIE ROD	2
9.	092604	NOZZLE	*
8.	098750	ASSY, BRACKET NOZZLE	1
7.	093164	TIE PLATE	1
6.	093182	ASSY, END FRAME, R.H.	1
5.	093181	ASSY, END FRAME, L.H.	1
4.	090969	GEAR CLUTCH ASSY	1
3.	091313	18-3/8" OSC. ROLLER PARTS ASSY	1
2.	093129	METER. ROLLER W/B/HMD 18-3/8"	1
1.	093121	FORM ROLLER W/B (HMD 18-3/8")	1



* PART IS INCLUDED WITH OUTLINED SUBASSEMBLY
 ** ITEMS 40, 41, 42, 46, 48, 49 AND 50 ARE NOT INCLUDED WITH BRACKET KIT, P/N 093142

ITEM	PART #	DESCRIPTION	QTY.
50.	093173	SAFETY GUARD	**
49.	093176	COLLAR, SET SCREW, .359 I.D.	1
48.	094990	KOMPAC CLEANING SEALS (4)	**
47.	093175	COLLAR, SET SCREW, .562 I.D.	1
46.	092785	WASH-UP BOTTLE	**
45.	093168	DRIP PAN	1
44.	093167	TIE BAR, PRESS	1
43.	092765	DISPENSING VALVE O-RING	*
42.	092760	DISPENSING VALVE ASSEMBLY	**
41.	092771	ROUND CALIBRATED BOTTLE	**
40.	092783	MEASURING CUP	**
39.	091911	CLAMP, ADJUSTABLE 1/4"-25/32"	*
38.	091629	M10x30mm SOCKET HEAD SCREW	1
37.	091767	M10x16mm BUTTON HEAD CAP SCREW	1
36.	091712	M8x12mm SHOULDER SCREW	1
35.	091721	M8x12mm LOW HEAD CAP SCREW	1
34.	092024	M6x16mm SOCKET HEAD SCREW	14
33.	091891	M5x16mm SOCKET HEAD SCREW	2
32.	091768	M5x10mm BUTTON HEAD SCREW	3
31.	091888	M5x5mm SET SCREW	2
30.	091637	WASHER, BELLEVILLE, .264x.374"	14
29.	091636	WASHER, M10-WIDE	2
28.	092022	SPACER, .321 x .625" x .205"	1
27.	093169	BUSHING, ON/OFF BRACKET	1
26.	091689	WASHER, BELLEVILLE (M5)	3

ITEM	PART #	DESCRIPTION	QTY.
25.	091680	E-RING, 8mm	1
24.	090756	T-WRENCH, 2.5mm	1
23.	092779	KOMPAC LONG NECK SYRINGE	1
22.	092370	KOMPAC SEAL SET	1
21.	092756	1/2" VINYL TUBING	1
20.	090968	ASSY, BASE (HAMADA)	1
19.	092740	BOTTLE VALVE ASSEMBLY	1
18.	091672	SPRING CLIP	1
17.	092749	UNIVERSAL BOTTLE BRACKET	1
16.	093166	BRACKET, BOTTLE	1
15.	093151	BUSHING, ON/OFF EXTENSION	1
14.	093158	ECCENTRIC, ON/OFF	2
13.	093155	BUSHING, UNIT	2
12.	093157	BUSHING, ON/OFF, R.H.	1
11.	093156	BUSHING, ON/OFF, L.H.	1
10.	093161	STUB SHAFT, R.H.	1
9.	093159	STUB SHAFT, L.H.	1
8.	093185	ASSY, SPRING STUD	1
7.	093162	BRACKET, HEAD STOP	1
6.	093148	ARM, ON/OFF	1
5.	093149	EXTENSION, ON/OFF	1
4.	093152	BRACKET, ON/OFF	2
3.	093154	BRACKET, UNIT, R.H.	1
2.	093153	BRACKET, UNIT, L.H.	1
1.	093147	SHAFT, ON/OFF	1

