

Date of Installation : \_\_\_\_\_

Unit Serial Number : \_\_\_\_\_

Kompac Dealer : \_\_\_\_\_

# Kompac®



A DIVISION OF DAY INTERNATIONAL, INC.



DAY INTERNATIONAL, INC.

Image Transfer Group

**Kompac®**



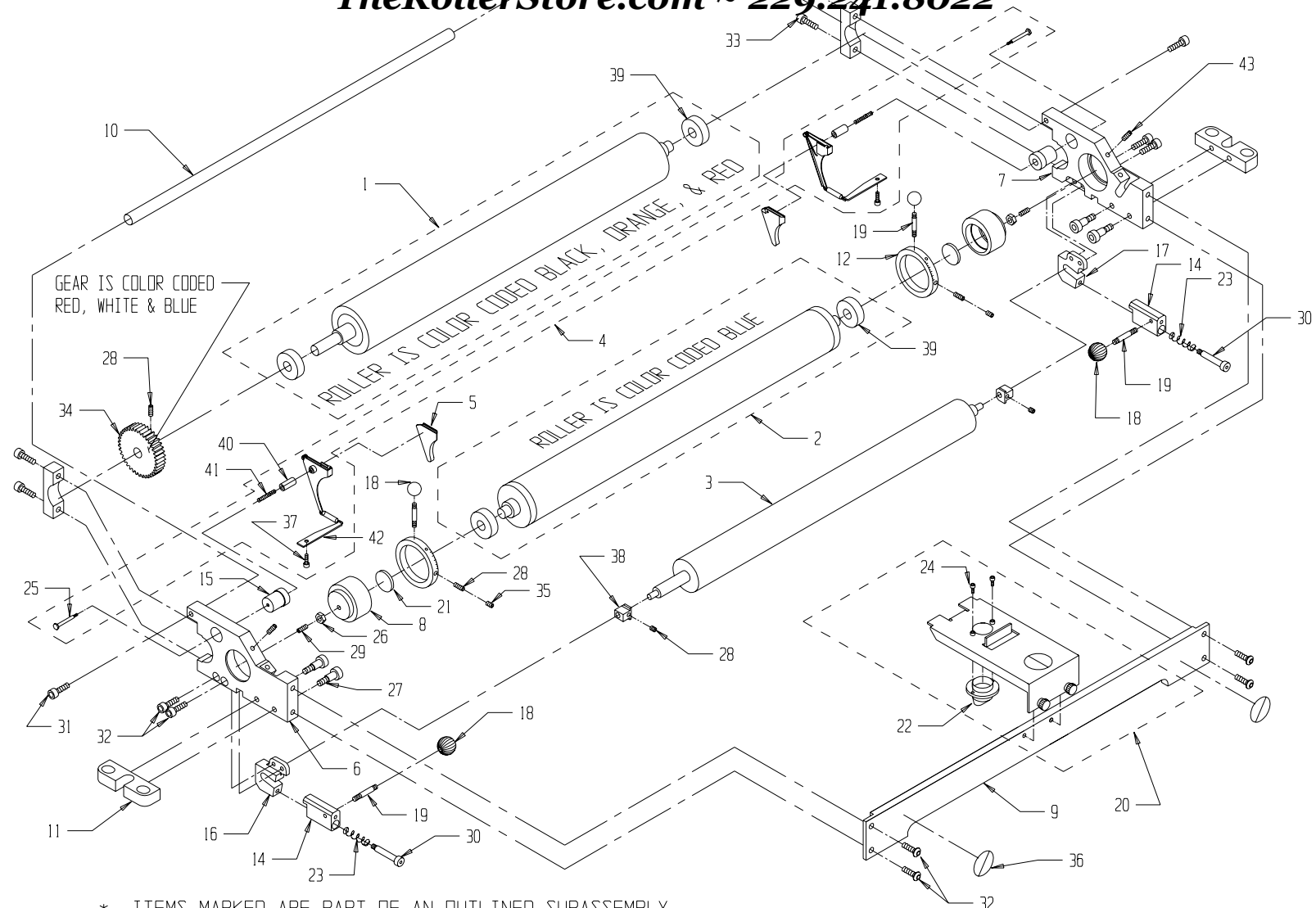
## GT - 52

Parts Catalog # 090543

159 DWIGHT PLACE , FAIRFIELD , NEW JERSEY 07004

TEL: 973-227-8611 / 800-541-5702

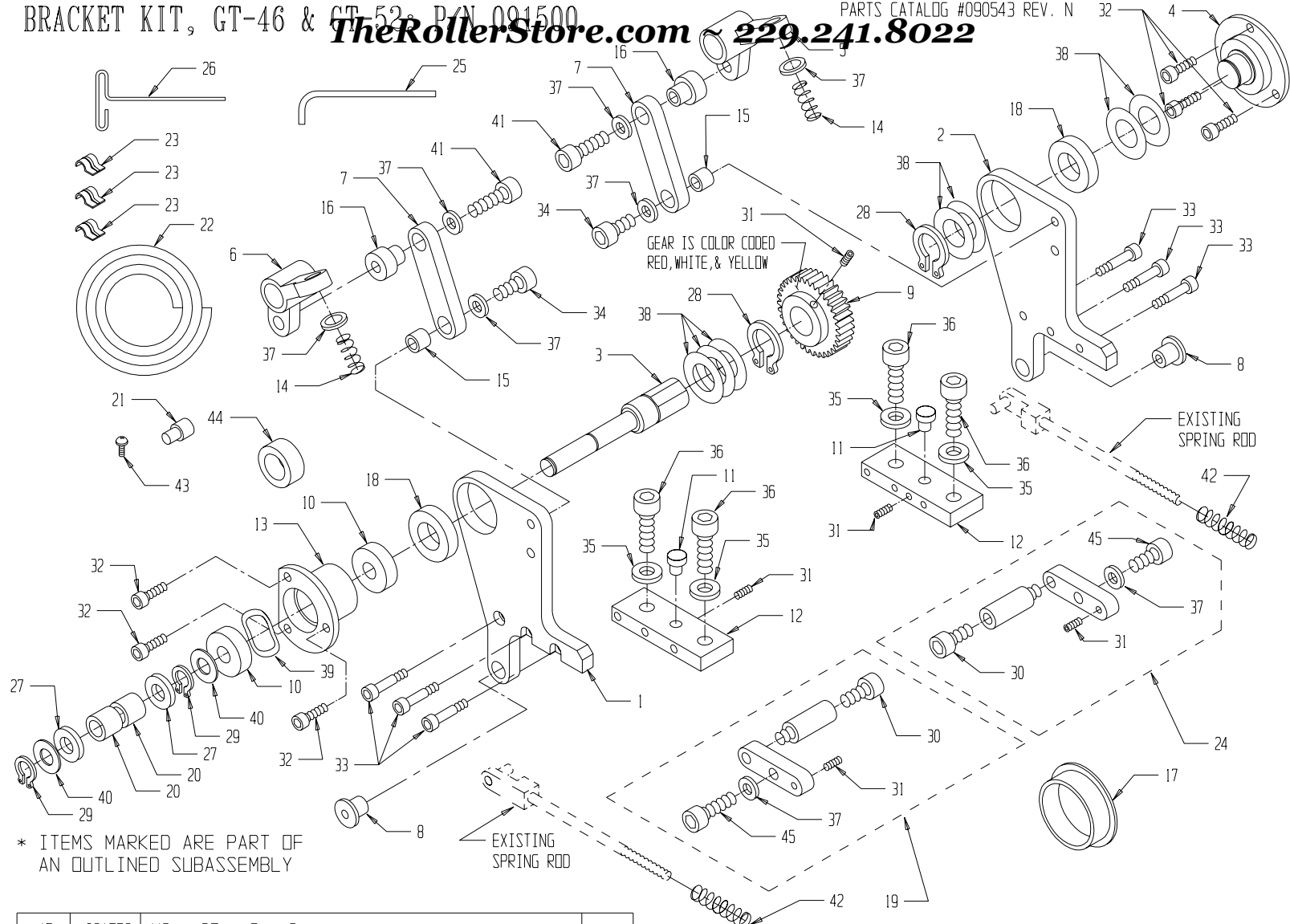
FAX: 973-227-7532



\* ITEMS MARKED ARE PART OF AN OUTLINED SUBASSEMBLY

|       |        |                             |     |
|-------|--------|-----------------------------|-----|
| 43    | 091687 | M5 X 8mm Set Screw          | 02  |
| 42    | 091406 | Spring Plate, GT46/52       | *   |
| 41    | 092242 | Compression Spring          | *   |
| 40    | 092304 | Guide Pin                   | *   |
| 39    | 092586 | Form/Metering Bearing       | *   |
| 38    | 092174 | Metric Alignment Block      | 02  |
| 37    | 091760 | M4 x 10mm Cap Screw         | *   |
| 36    | 092601 | Safety Sticker              | 02  |
| 35    | 091909 | M5 x 4mm Set Screw, Slotted | 02  |
| 34    | 091405 | Form Roller Gear, 38T       | 01  |
| 33    | 091761 | M6 x 18mm Cap Screw         | 04  |
| 32    | 091773 | M6 x 12mm Cap Screw         | 08  |
| 31    | 091711 | Ø6mm x 16mm Sh'ldr Scr      | 02  |
| 30    | 091708 | Ø6mm x 30mm Sh'ldr Scr      | 02  |
| 29    | 091703 | M5 x 12mm Set Screw         | 02  |
| 28    | 091888 | M5 x 5mm Set Screw          | 05  |
| 27    | 091722 | M8 x 16mm SHOULDER SCREW    | 04  |
| 26    | 091752 | M5 Nut                      | 02  |
| 25    | 092303 | Shoulder Screw              | *   |
| 24    | 091907 | 6-32 x 3/8" Phil Sc., Blk   | *   |
| 23    | 095698 | Compression Spring          | 02  |
| ITEM# | PART # | DESCRIPTION                 | QTY |

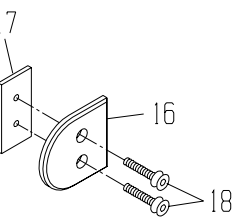
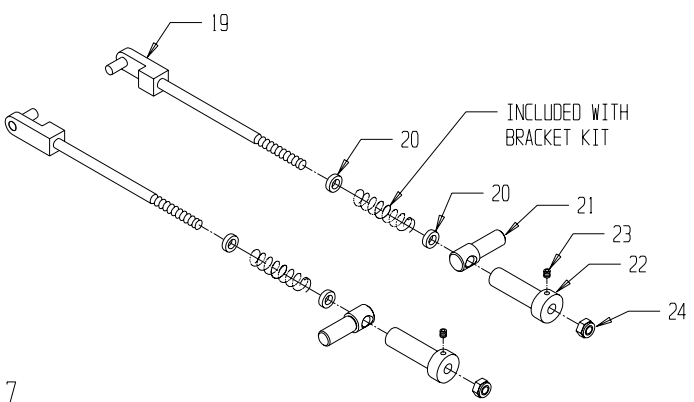
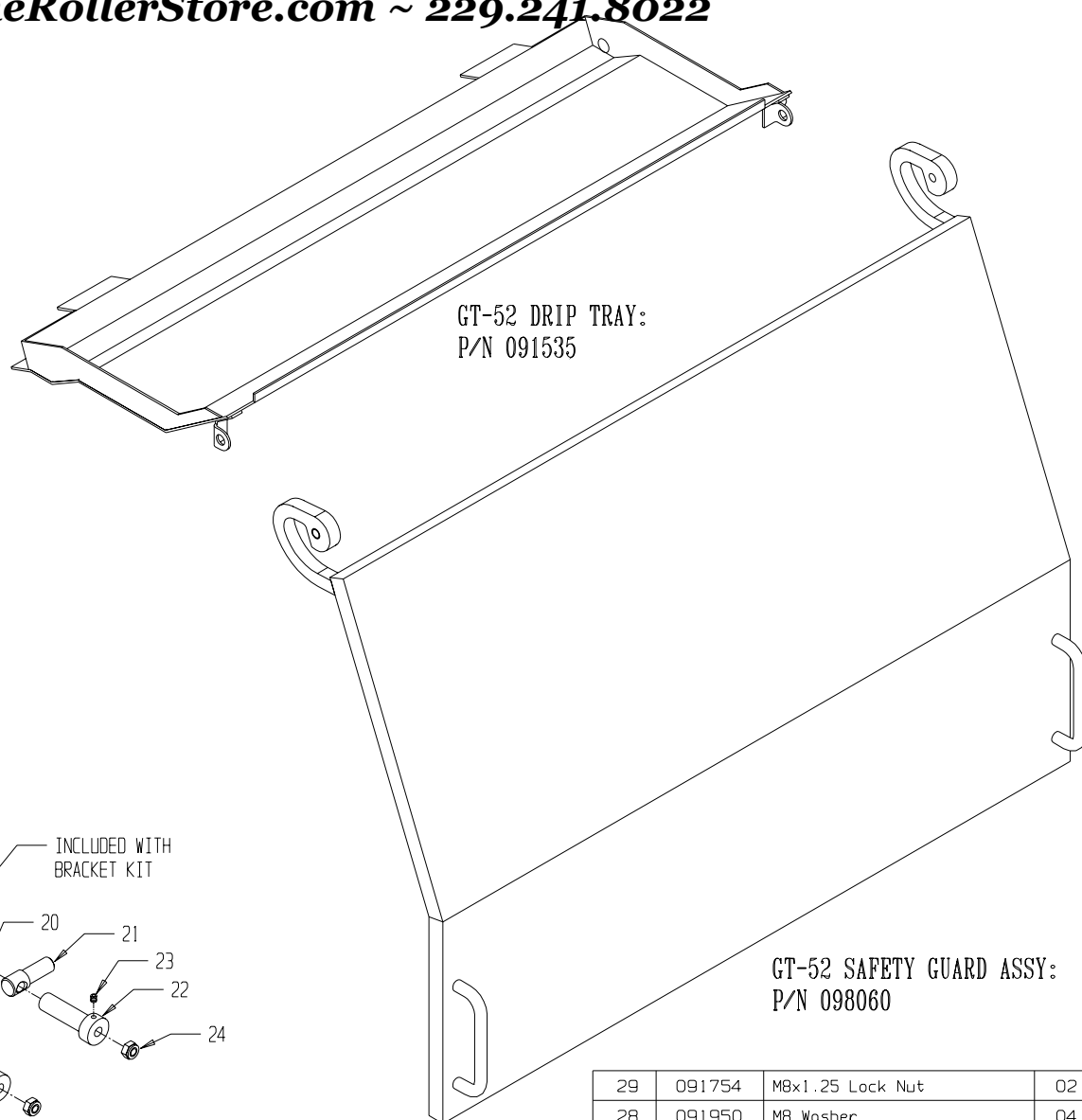
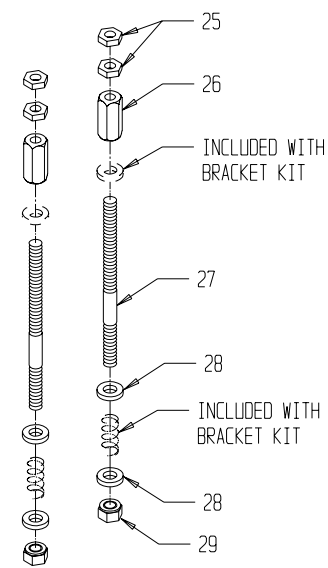
|       |        |                            |     |
|-------|--------|----------------------------|-----|
| 22    | 092604 | Nozzle                     | *   |
| 21    | 091413 | Thrust Plate               | 02  |
| 20    | 095650 | Nozzle Bracket Assembly    | 01  |
| 19    | 091417 | Threaded Stud, short       | 04  |
| 18    | 092055 | Ball Knob                  | 04  |
| 17    | 091424 | Oscillator Block RH        | 01  |
| 16    | 091423 | Oscillator Block LH        | 01  |
| 15    | 091407 | Backing Plate Standoff     | 02  |
| 14    | 095697 | Clamp, Oscillator          | 02  |
| 13    | 092179 | Form Rol. Bearing Clamp    | 02  |
| 12    | 091416 | Metering Gauge             | 02  |
| 11    | 091419 | Attachment Block           | 02  |
| 10    | 091418 | Tie Rod                    | 01  |
| 09    | 091415 | Tie Plate                  | 01  |
| 08    | 091412 | Metering Rol. Eccentric    | 02  |
| 07    | 091411 | Non-Op Side Frame          | 01  |
| 06    | 091409 | Op Side Frame              | 01  |
| 05    | 090850 | R.H. and L.H. Seal Set     | 01  |
| 04    | 091450 | Seal Backing Plate Kit     | 01  |
| 03    | 094830 | OSCILLATING ROLLER         | 01  |
| 02    | 098870 | Metering Roller Assy, 52/C | 01  |
| 01    | 094810 | Form Roller Assy           | 01  |
| ITEM# | PART # | DESCRIPTION                | QTY |



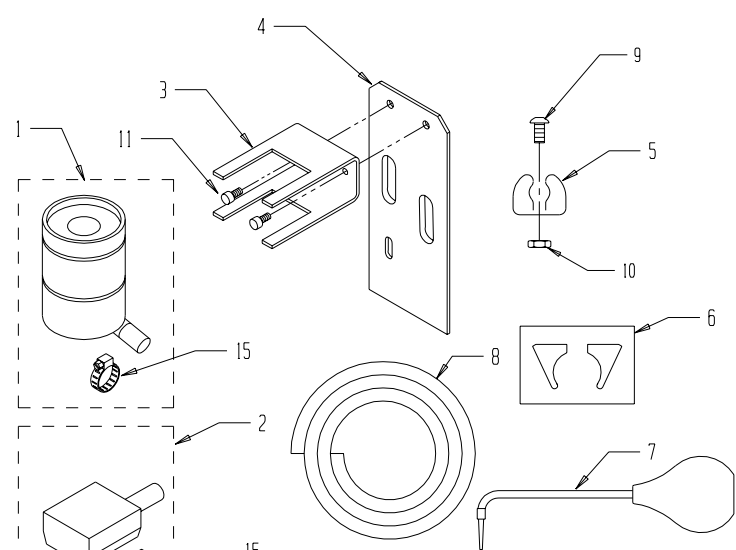
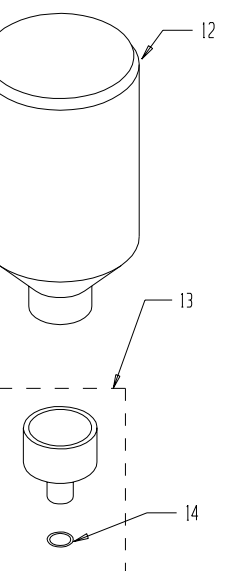
\* ITEMS MARKED ARE PART OF AN OUTLINED SUBASSEMBLY

| 45    | 091756 | M8 x 25mm Cap Screw          | *   |
|-------|--------|------------------------------|-----|
| 44    | 091538 | Spacer, Ink Ductor Crank Arm | 01  |
| 43    | 091806 | #6-32 Phil Pan Hd Screw      | 01  |
| 42    | 091545 | Compression Spring           | 02  |
| 41    | 091892 | M8 x 35mm Cap Screw          | 02  |
| 40    | 091966 | Washer, .48x.88x.02          | 02  |
| 39    | 091772 | Wave Washer                  | 01  |
| 38    | 091615 | Shim, Non-op Side Spindle    | 07  |
| 37    | 091950 | Ø 8mm, Plain Washer          | 06* |
| 36    | 091755 | M10 x 25mm Cap Screw         | 04  |
| 35    | 091976 | Ø 10mm, Plain Washer         | 04  |
| 34    | 091758 | M8 x 20mm Cap Screw          | 02  |
| 33    | 091709 | Ø6mm x 12mm Shoulder Screw   | 06  |
| 32    | 091761 | M6 x 18mm Cap Screw          | 06  |
| 31    | 091889 | M5 x 10mm Set Screw          | 03* |
| 30    | 091894 | M8 X 16mm Cap Screw          | *   |
| 29    | 091662 | Ø12mm Retaining Ring         | 02  |
| 28    | 091664 | Ø20mm Retaining Ring         | 02  |
| 27    | 091623 | Thrust Washer                | 02  |
| 26    | 090756 | T-Allen Kex, 2.5mm           | 01  |
| 25    | 090758 | Ball End Allen Key, 8mm      | 01  |
| 24    | 095620 | Non-Op Side Pan Mount        | 01  |
| 23    | 091529 | Hose Clip, Ø3/4"             | 03  |
| ITEM# | PART # | DESCRIPTION                  | QTY |

| 22    | 091528 | Plastic Hose, Ø1/2"       | 01  |
|-------|--------|---------------------------|-----|
| 21    | 091521 | Auto Latch Pin            | 01  |
| 20    | 092056 | Clutch Bearing            | 02  |
| 19    | 095610 | Op Side Pan Mount         | 01  |
| 18    | 091522 | Bearing Ø20 x Ø37 x 9     | 02  |
| 17    | 093468 | Blanking Plug, 2"         | 01  |
| 16    | 091516 | Spacer, Pivot Block       | 02  |
| 15    | 091515 | Spacer, Link              | 02  |
| 14    | 091514 | ON/OFF Spring             | 02  |
| 13    | 091619 | Bearing Housing, GT 46/52 | 01  |
| 12    | 091512 | Fixing Block              | 02  |
| 11    | 091511 | Adust Eccentric           | 02  |
| 10    | 092586 | Bearing Ø12 x Ø32 x 10    | 02  |
| 09    | 091618 | Drive Gear, GT 46/52      | 01  |
| 08    | 091508 | Stripe Limit Boss         | 02  |
| 07    | 091507 | ON/OFF Link               | 02  |
| 06    | 091506 | Pivot Block, Op Side      | 01  |
| 05    | 091505 | Pivot Block Non-Op Side   | 01  |
| 04    | 091504 | Non-Op Side Spindle       | 01  |
| 03    | 091622 | Drive Spindle             | 01  |
| 02    | 091502 | Bracket Non-Op Side       | 01  |
| 01    | 091501 | Bracket Op-Side           | 01  |
| ITEM# | PART # | DESCRIPTION               | QTY |



GT-46/52 REMOTE BOTTLE KIT: P/N 094850\*\*



\* PART IS INCLUDED IN OUTLINED SUBASSEMBLY  
 \*\* THE REMOTE BOTTLE KIT (P/N 094850) INCLUDES ITEMS #1-11  
 \*\*\* ITEMS #19-29 ARE INCLUDED WITH OPTIONAL GT-52 DDS KIT, P/N 095701.

|       |        |                            |     |
|-------|--------|----------------------------|-----|
| 29    | 091754 | M8x1.25 Lock Nut           | 02  |
| 28    | 091950 | M8 Washer                  | 04  |
| 27    | 095702 | Threaded Rod, M8, GT-52    | 02  |
| 26    | 095703 | Adjusting Nut, M8, GT-52   | 02  |
| 25    | 091733 | M8x1.25 Jan Nut            | 04  |
| 24    | 091973 | M6x1 Lock Nut              | 02  |
| 23    | 091546 | M4 x 6mm Set Screw, Nylon  | 02  |
| 22    | 091613 | Nut, Adjusting, GT-46/52   | 02  |
| 21    | 095704 | Guide, Tie Rod, GT-52      | 02  |
| 20    | 091743 | Washer, M6, Narrow         | 04  |
| 19    | 091612 | Assy, Spring Rod, Machined | 02  |
| 18    | 091898 | M5 x 35 Cap Screw          | 02  |
| 17    | 098055 | Plate, Backing, Plug       | 01  |
| 16    | 098012 | Plug, Blanking             | 01  |
| 15    | 091911 | 1/4-25/32 Adjustable Clamp | *   |
| 14    | 092765 | O-Ring                     | *   |
| 13    | 092760 | Dispensing Valve Assy      | 02  |
| 12    | 092772 | Fountain Bottle, Large     | 02  |
| 11    | 091765 | M5x12mm Button Hd Screw    | 02  |
| 10    | 091968 | 10-24 Hex Nut, Full        | 01  |
| 09    | 091819 | 10-24 x 1/2 Cap Screw      | 01  |
| 08    | 092756 | 1/2" ID Vinyl Tubing       | 12" |
| 07    | 092779 | Assy, Syringe, Lg. Neck    | 01  |
| 06    | 090850 | Seal Set                   | 01  |
| 05    | 091672 | Spring Clip                | 01  |
| 04    | 091517 | Remote Bottle Plate        | 01  |
| 03    | 092749 | Universal Bottle Brckt     | 01  |
| 02    | 092750 | Adapter Base Assy          | 01  |
| 01    | 092740 | Bottle Valve Assy          | 01  |
| ITEM# | PART # | DESCRIPTION                | QTY |