

Date of Installation : \_\_\_\_\_

Unit Serial Number : \_\_\_\_\_

Kompac Dealer : \_\_\_\_\_

# Kompac®



A DIVISION OF DAY INTERNATIONAL, INC.



DAY INTERNATIONAL, INC.

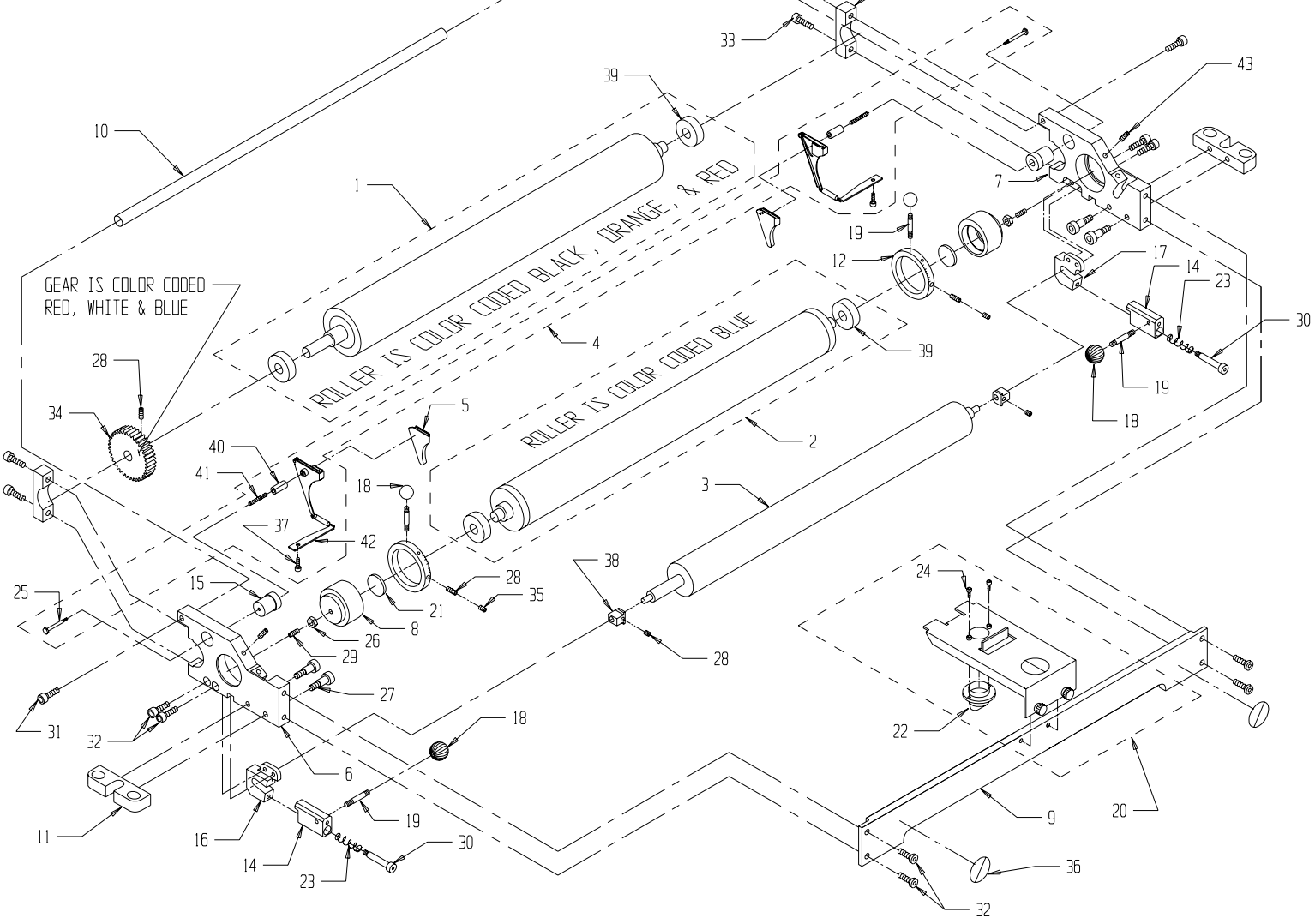
Image Transfer Group

**Kompac®**



## GT - 52A

Parts Catalog # 095812

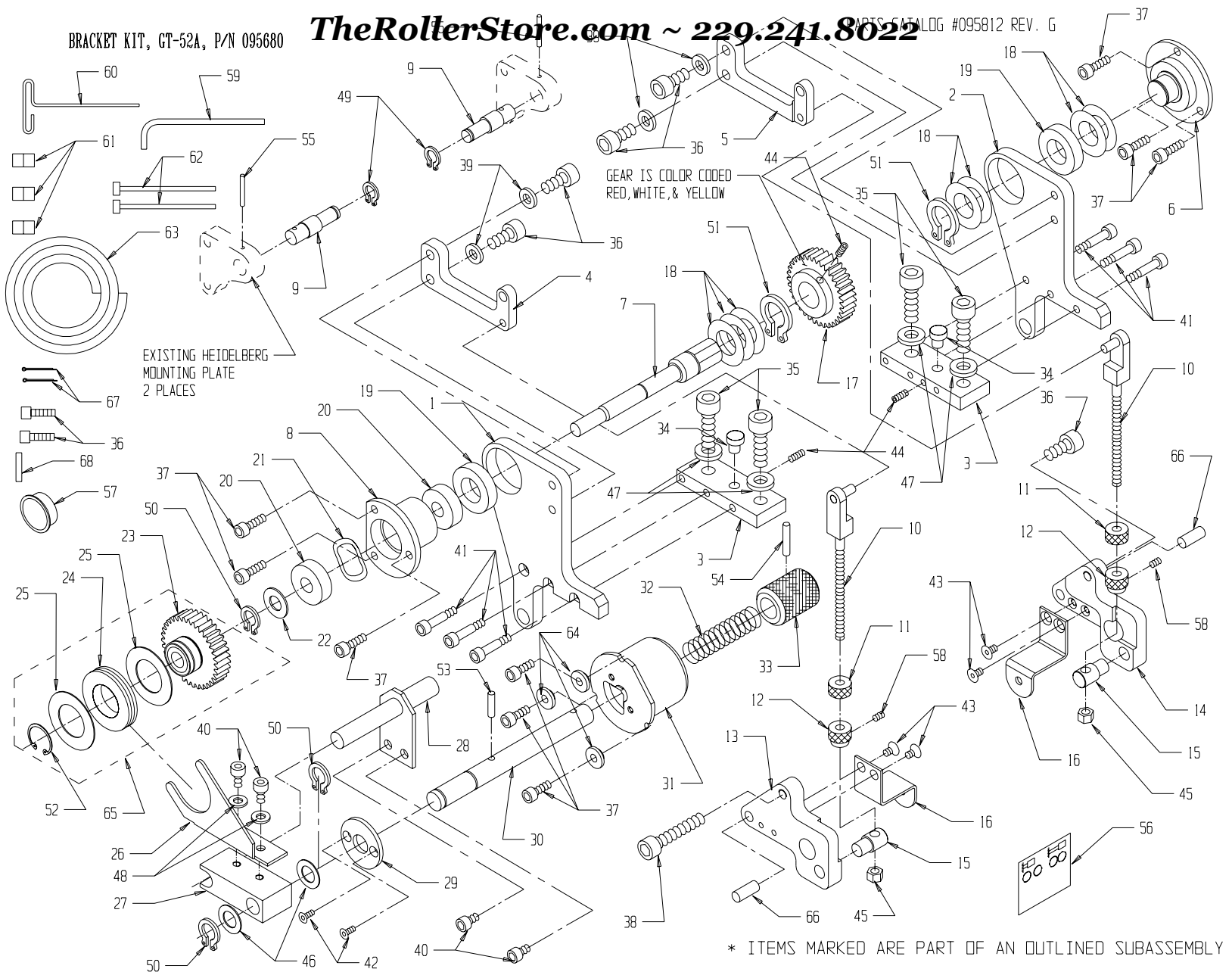


\* ITEMS MARKED ARE PART OF AN OUTLINED SUBASSEMBLY

ITEM	PART NO.	DESCRIPTION	QTY.
43.	091687	M5 X 8MM SET SCREW	2
42.	091406	SPRING PLATE, GT-46/52	*
41.	092242	COMPRESSION SPRING	*
40.	092304	GUIDE PIN	*
39.	092586	BEARING, $\phi$ 12 X $\phi$ 32 X $\phi$ 10	*
38.	092174	METRIC ALIGNMENT BLOCK	2
37.	091760	M4 X 10MM CAP SCREW	*
36.	092601	SAFETY STICKER	2
35.	091909	M5 X 4MM SET SCREW, SLOTTED	2
34.	091405	FORM ROLLER GEAR	1
33.	091761	M6 X 18MM CAP SCREW	4
32.	091773	M6 X 12 CAP SCREW	8
31.	091711	$\phi$ 6MM X 16MM SHOULDER SCREW	2

ITEM	PART NO.	DESCRIPTION	QTY.
30.	091708	$\phi$ 6MM X 30MM SHOULDER SCREW	2
29.	091703	M5 X 12MM SET SCREW	2
28.	091888	M5 X 5MM SET SCREW	5
27.	091722	M8 X 16MM SHOULDER SCREW	4
26.	091752	M5 NUT	2
25.	092303	SHOULDER SCREW	2
24.	091907	SCREW, #6-32 X 3/6 PHIL PAN HD	*
23.	095698	COMPRESSION SPRING	2
22.	092604	NOZZLE	*
21.	091413	THRUST PLATE	2
20.	095650	NOZZLE BRACKET ASSEMBLY	1
19.	091417	THREADED STUD, SHORT	4
18.	092055	BALL KNOB	4
17.	091424	RETAINER, OSCILLATOR, RH	1
16.	091423	RETAINER, OSCILLATOR, LH	1

ITEM	PART NO.	DESCRIPTION	QTY.
15.	091407	BACKING PLATE STANDOFF	2
14.	095697	CLAMP, OSCILLATOR	2
13.	092179	FORM ROLLER BEARING CLAMP	2
12.	091416	METERING GAUGE	2
11.	091419	ATTACHMENT BLOCK	2
10.	091418	TIE ROD	1
9.	091415	TIE PLATE, GT-52	1
8.	091412	METERING ROLLER ECCENTRIC	2
7.	091411	NON-OP SIDE FRAME	1
6.	091409	OP SIDE FRAME	1
5.	090850	R.H. AND L.H. KIII SEAL SET	1
4.	091450	SEAL BACKING PLATE KIT	1
3.	094830	OSCILLATING ROLLER	1
2.	098870	METERING ROLLER ASSY, 52/C	1
1.	094810	FORM ROLLER ASSY	1

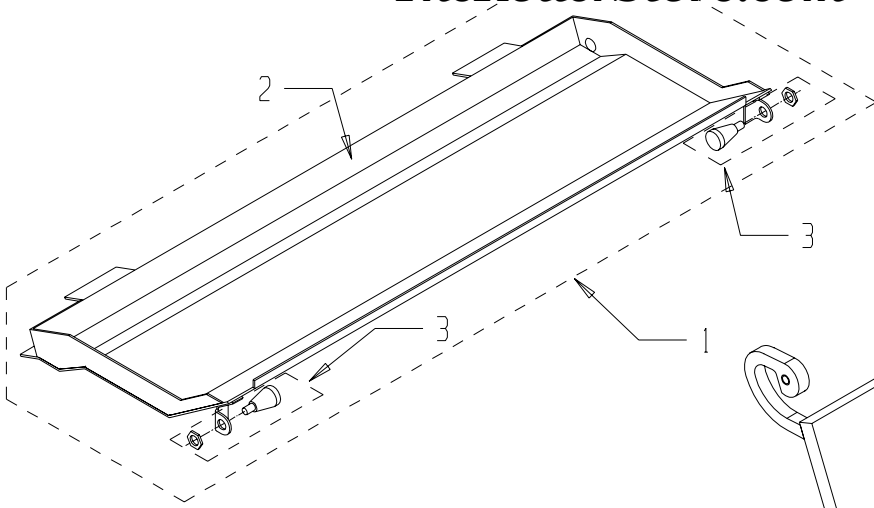


\* ITEMS MARKED ARE PART OF AN OUTLINED SUBASSEMBLY

68.	091946	4MM X 20MM ROLL PIN	1
67.	091678	M1.6 X 20MM COTTER PIN	2
66.	091684	8MM X 20MM DOWEL PIN	2
65.	098400	ASSY, DRIVE GEAR, LOCKOUT	1
64.	098408	CLAMP	3
63.	091528	Ø 3/8 I.D. PVC HOSE	1
62.	092053	TIE WRAP	2
61.	091529	Ø 3/4 HOSE CLIP	3
60.	090756	2.5MM T-ALLEN KEY	1
59.	090758	8MM BALL END ALLEN KEY	1
58.	091546	M4 X 6MM NYLON SET SCREW	2
57.	093659	BLANKING PLUG	1
56.	098407	LABEL, LOCKOUT	1
55.	091938	Ø 3MM X 25MM ROLL PIN	2
54.	091937	Ø 3/16 X 1.0 ROLL PIN	1
53.	091925	Ø 3/16 X 3/4 ROLL PIN	1
52.	091660	Ø 1.0 RETAINING RING	*
51.	091664	Ø 20MM RETAINING RING	2
50.	091662	Ø 12MM RETAINING RING	3
49.	091665	Ø 10MM RETAINING RING	2
48.	091962	Ø 6MM WASHER	2
47.	091976	Ø 10MM WASHER	4
46.	091965	WASHER	2
ITEM	PART NO.	DESCRIPTION	QTY.

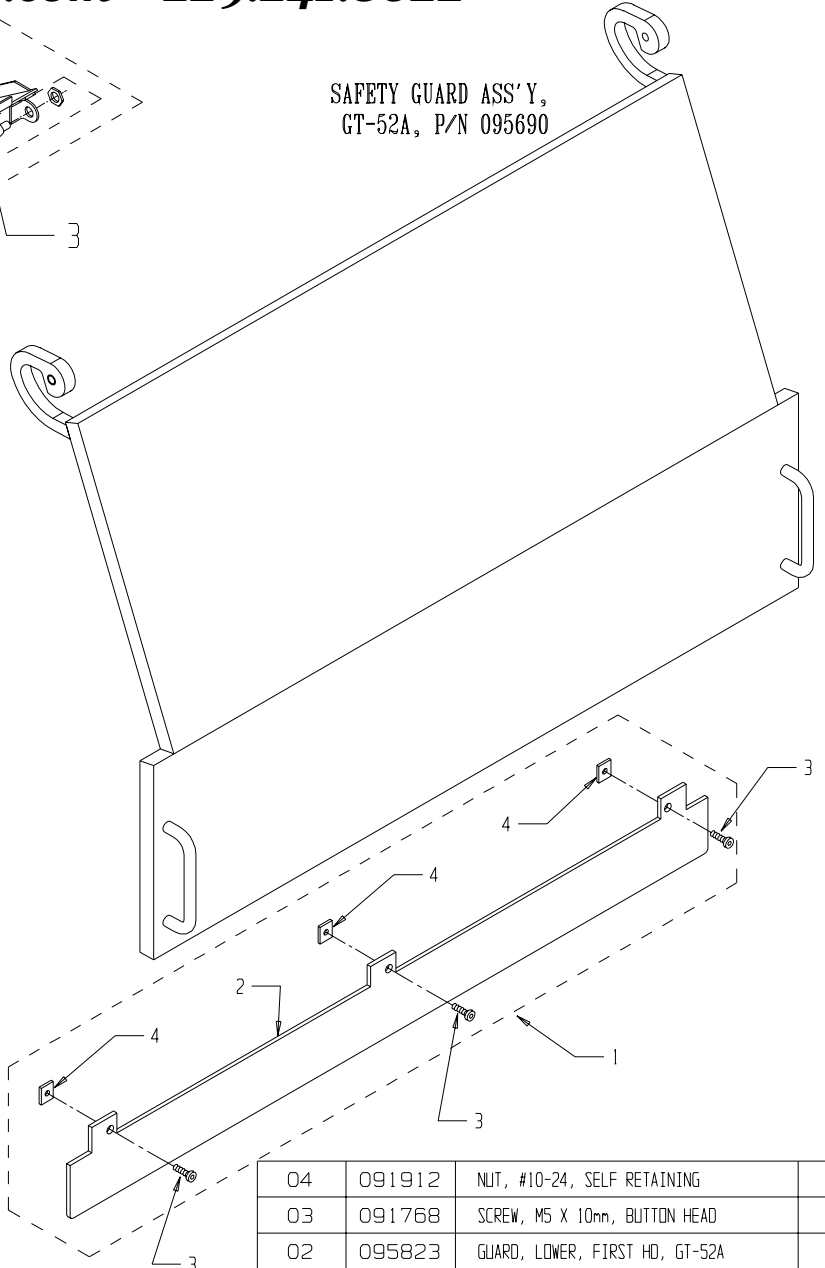
45.	091973	M6 HEX LOCK NUT	2
44.	091889	M5 X 10MM SET SCREW	3
43.	091782	M5 X 8MM FLAT HEAD SOC SCREW	4
42.	091781	M4 X 10MM FLAT HEAD SOC SCREW	2
41.	091709	Ø 6MM X 12MM SHOULDER SCREW	6
40.	091773	M6 X 12MM CAP SCREW	4
39.	091950	Ø 8MM WASHER	4
38.	091749	M8 X 40MM CAP SCREW	1
37.	091761	M6 X 18MM CAP SCREW	9
36.	091758	M8 X 20MM CAP SCREW	7
35.	091755	M10 X 25MM CAP SCREW	4
34.	091511	ECCENTRIC, ADJUSTING	2
33.	098396	HANDLE, ON/OFF, LOCKOUT	1
32.	098397	SPRING, COMPRESSION	1
31.	098391	PLUG, LOCKOUT	1
30.	098395	SHAFT, ON/OFF, LOCKOUT	1
29.	098392	RETAINER, LOCKOUT	1
28.	098410	ASSY, LOCKOUT SHAFT & BRACKET	1
27.	098393	GUIDE, FORK, LOCKOUT	1
26.	098394	FORK, LOCKOUT	1
25.	091746	WASHER	*
24.	098402	BUSHING, DRIVE GEAR, FORK	*
23.	098430	GEAR & CLUTCH ASSY	*
ITEM	PART NO.	DESCRIPTION	QTY.

22.	091966	WASHER, .48 X .88 X .02	1
21.	091772	WAVE WASHER	1
20.	092586	BEARING, Ø 12 X Ø 32 X 10	2
19.	091522	BEARING, Ø 20 X Ø 37 X 9	2
18.	091615	SHIM	7
17.	091618	DRIVE GEAR, GT-46/52	1
16.	095689	BRACKET, MOUNTING, PAN	2
15.	095685	GUIDE, TIE ROD, GT-52A	2
14.	095687	BRACKET, TIE ROD, NON-OP SIDE	1
13.	095688	BRACKET, TIE ROD, OP SIDE	1
12.	095693	NUT, ADJUSTING, GT-52A	2
11.	095694	NUT, LOCKING	2
10.	095692	TIE ROD	2
9.	095683	SHAFT, PIVOT, TIE ROD	2
8.	091619	HOUSING, BEARING, GT-46/52	1
7.	098406	SHAFT, DRIVE, LOCKOUT	1
6.	091504	NON-OP SIDE SPINDLE	1
5.	095682	BRACKET, TIE ROD, NON-OP SIDE	1
4.	095681	BRACKET, TIE ROD, OP SIDE	1
3.	091512	FIXING BLOCK	2
2.	091502	BRACKET, NON-OP SIDE	1
1.	091501	BRACKET, OP SIDE	1
ITEM	PART NO.	DESCRIPTION	QTY.



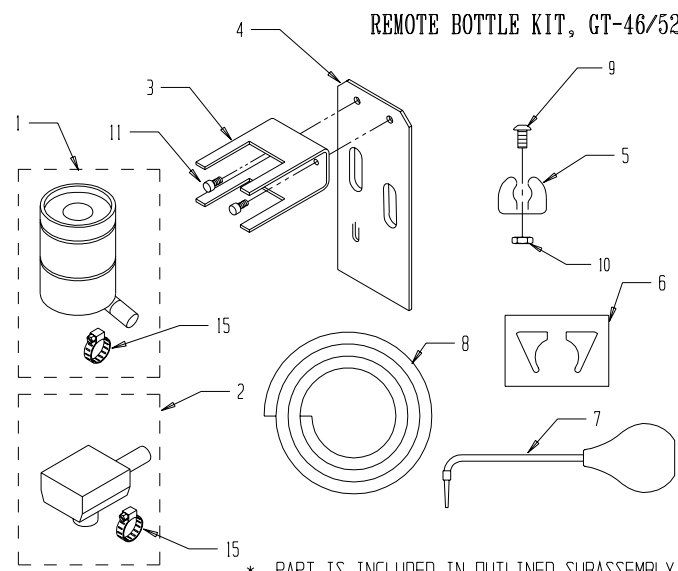
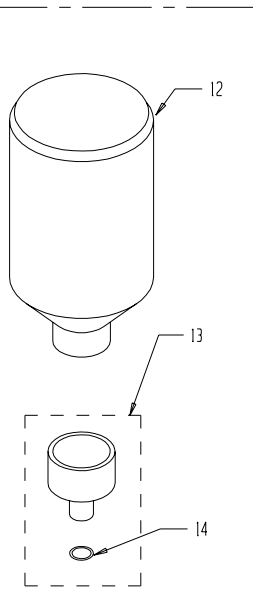
SAFETY GUARD ASS'Y,  
GT-52A, P/N 095690

03	095695	SPRING LOADED PLUNGER	*
02	091535	DRIP TRAY, GT-52	*
01	098040	DRIP TRAY ASSY, GT-52A	01
ITEM#	PART #	DESCRIPTION	QTY



LOWER SAFETY GUARD, SUBSQ.HD., GT-52A, P/N 095821

04	091912	NUT, #10-24, SELF RETAINING	*
03	091768	SCREW, M5 X 10mm, BUTTON HEAD	*
02	095823	GUARD, LOWER, FIRST HD, GT-52A	*
01	098460	KIT, LOWER GUARD, FIRST HD, GT-52A	01
ITEM#	PART #	DESCRIPTION	QTY



REMOTE BOTTLE KIT, GT-46/52, P/N 094850\*\*

15	091911	1/4-25/32 Adjustable Clamp	*
14	092765	O-Ring	*
13	092760	Dispensing Valve Assy	02
12	092772	Fountain Bottle, Large	02
11	091765	M5x12mm Button Hd Screw	02
10	091968	10-24 Hex Nut, Full	01
09	091819	10-24 x 1/2 Cap Screw	01
08	092756	1/2" ID Vinyl Tubing	01
07	092779	Assy, Syringe, Lg. Neck	01
06	090850	Seal Set	01
05	091672	Spring Clip	01
04	091517	Remote Bottle Plate	01
03	092749	Universal Bottle Brckt	01
02	092750	Adapter Base Assy	01
01	092740	Bottle Valve Assy	01
ITEM#	PART #	DESCRIPTION	QTY

\* PART IS INCLUDED IN OUTLINED SUBASSEMBLY  
\*\* THE REMOTE BOTTLE KIT (P/N 094850) INCLUDES ITEMS #1-11