

Date of Installation : \_\_\_\_\_

Unit Serial Number : \_\_\_\_\_

Kompac Dealer : \_\_\_\_\_

# Kompac®



A DIVISION OF DAY INTERNATIONAL, INC.



DAY INTERNATIONAL, INC.

Image Transfer Group

**Kompac**



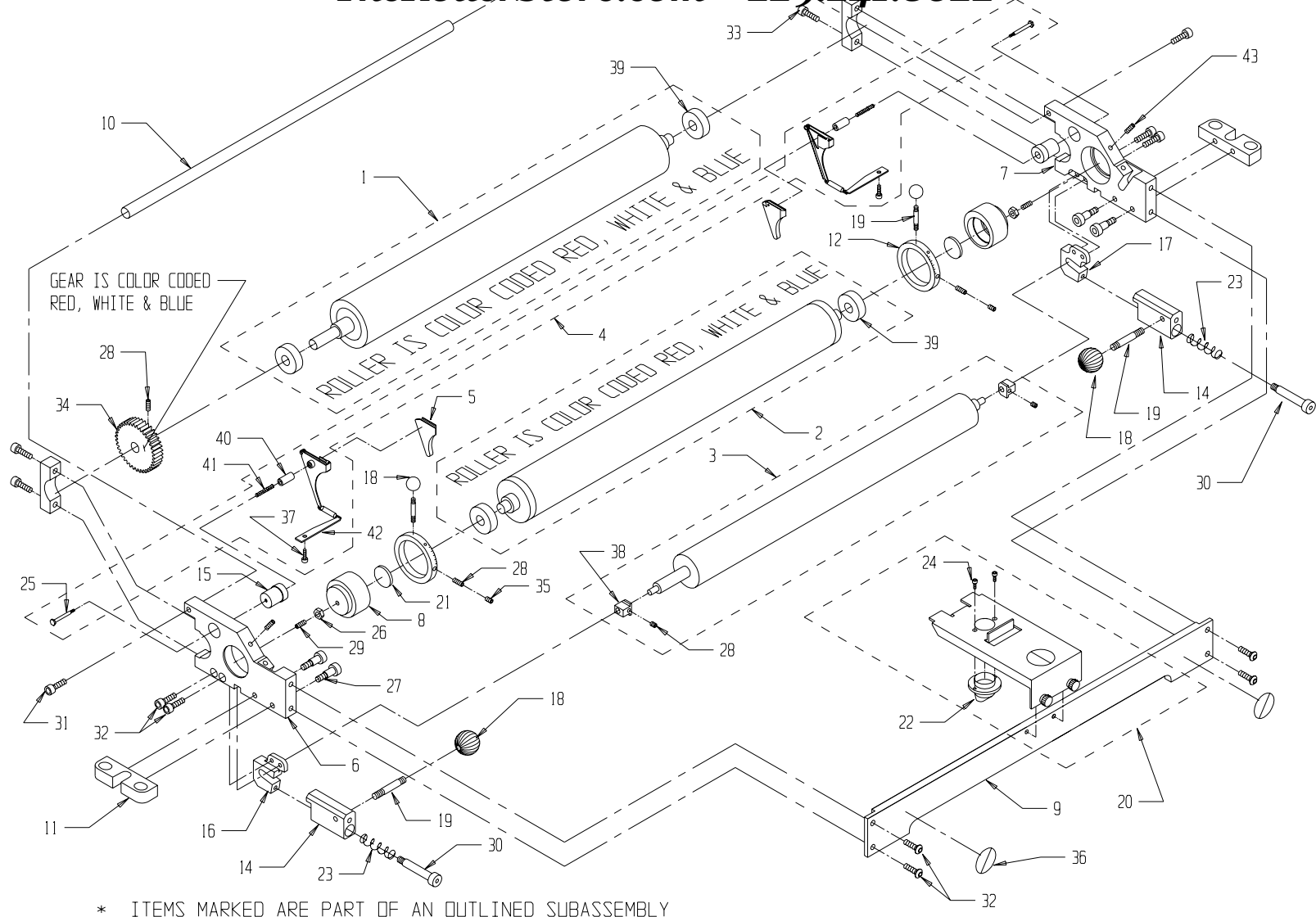
## GT - 46

Parts Catalog # 090542

159 DWIGHT PLACE , FAIRFIELD , NEW JERSEY 07004

TEL: 973-227-8611 / 800-541-5702

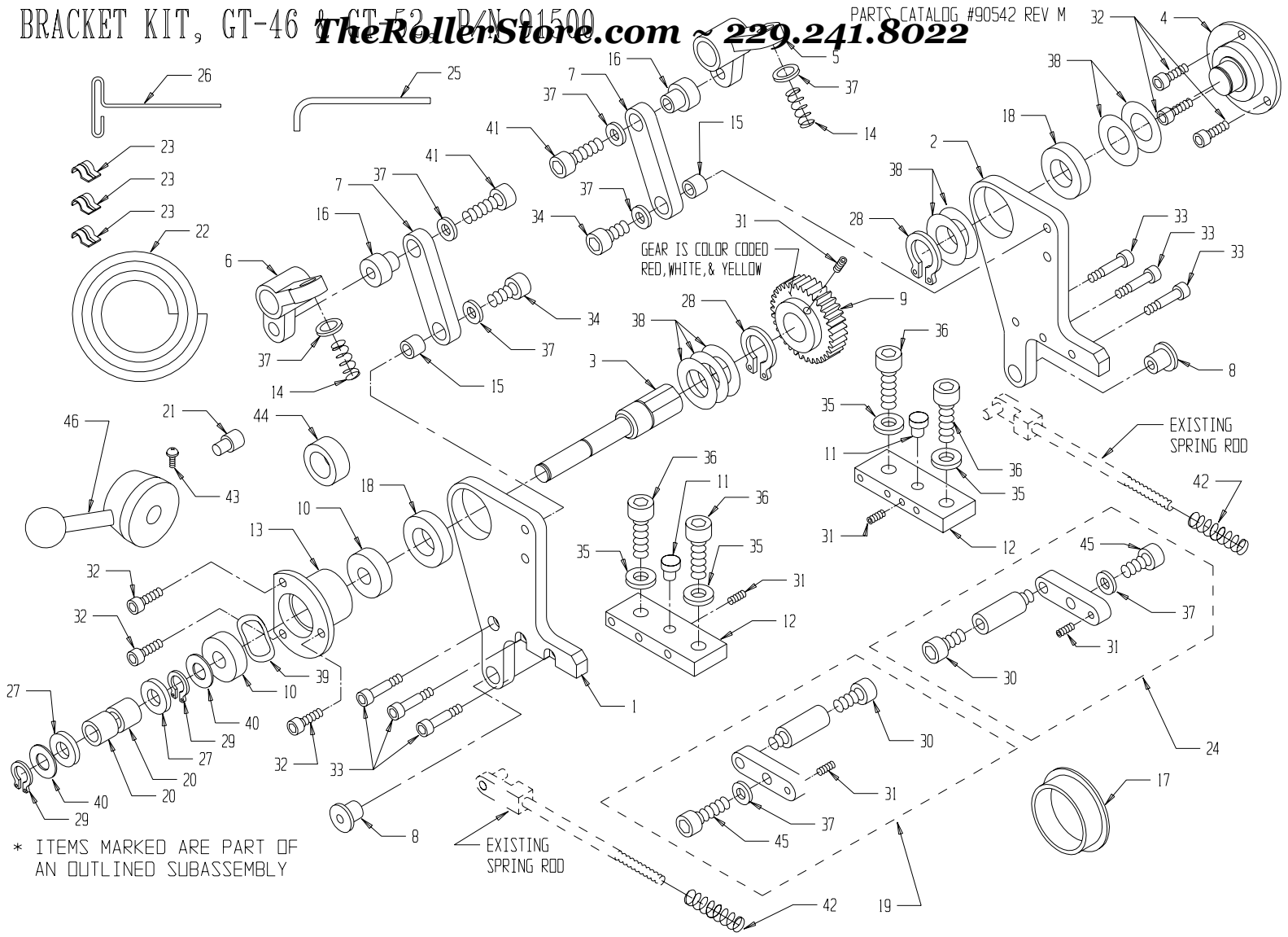
FAX: 973-227-7532



\* ITEMS MARKED ARE PART OF AN OUTLINED SUBASSEMBLY

|       |        |                             |     |
|-------|--------|-----------------------------|-----|
| 43    | 91687  | M5 X 8mm Set Screw          | 2   |
| 42    | 91406  | Spring Plate, GT46/52       | *   |
| 41    | 92242  | Compression Spring          | *   |
| 40    | 92304  | Guide Pin                   | *   |
| 39    | 92586  | Form/Metering Bearing       | *   |
| 38    | 92174  | Metric Alignment Block      | *   |
| 37    | 91760  | M4 x 10mm Cap Screw         | *   |
| 36    | 92601  | Safety Sticker              | 02  |
| 35    | 91909  | M5 x 4mm Set Screw, Slotted | 02  |
| 34    | 91405  | Form Roller Gear, 38T       | 01  |
| 33    | 91761  | M6 x 18mm Cap Screw         | 04  |
| 32    | 91773  | M6 x 12mm Cap Screw         | 08  |
| 31    | 91711  | Ø6mm x 16mm Sh'ldr Scr      | 02  |
| 30    | 91708  | Ø6mm X 30mm Sh'ldr Scr      | 02  |
| 29    | 91703  | M5 x 12mm Set Screw         | 02  |
| 28    | 91888  | M5 x 5mm Set Screw          | 03* |
| 27    | 91722  | M8 x 16mm SHOULDER SCREW    | 04  |
| 26    | 91752  | M5 Nut                      | 02  |
| 25    | 92303  | Shoulder Screw              | *   |
| 24    | 91907  | 6-32 x 3/8" Phil Sc., Blk   | *   |
| 23    | 95698  | Compression Spring          | 02  |
| ITEM# | PART # | DESCRIPTION                 | QTY |

|       |        |                         |     |
|-------|--------|-------------------------|-----|
| 22    | 92604  | Nozzle                  | *   |
| 21    | 91413  | Thrust Plate            | 02  |
| 20    | 95650  | Nozzle Bracket Assembly | 01  |
| 19    | 91417  | Threaded Stud, short    | 04  |
| 18    | 92055  | Ball Knob               | 04  |
| 17    | 91424  | Oscillator Block RH     | 01  |
| 16    | 91423  | Oscillator Block LH     | 01  |
| 15    | 91407  | Backing Plate Standoff  | 02  |
| 14    | 95697  | Clamp, Oscillstor       | 02  |
| 13    | 92179  | Form Rol. Bearing Clamp | 02  |
| 12    | 91416  | Metering Gauge          | 02  |
| 11    | 91419  | Attachment Block        | 02  |
| 10    | 91408  | Tie Rod                 | 01  |
| 09    | 91414  | Tie Plate               | 01  |
| 08    | 91412  | Metering Rol. Eccentric | 02  |
| 07    | 91411  | Non-Op Side Frame       | 01  |
| 06    | 91409  | Op Side Frame           | 01  |
| 05    | 90850  | R.H. and L.H. Seal Set  | 01  |
| 04    | 91450  | Seal Backing Plate Kit  | 01  |
| 03    | 91490  | Oscillator, GT-46       | 01  |
| 02    | 91420  | Metering Roller Assy    | 01  |
| 01    | 91410  | Form Roller Assy        | 01  |
| ITEM# | PART # | DESCRIPTION             | QTY |



\* ITEMS MARKED ARE PART OF AN OUTLINED SUBASSEMBLY

|       |        |                              |     |
|-------|--------|------------------------------|-----|
| 46    | 95190  | Handle, On/Off               | 01  |
| 45    | 91756  | M8 X 25mm Cap Screw          | *   |
| 44    | 91538  | Spacer, Ink Ductor Crank Arm | 01  |
| 43    | 91806  | #6-32 Phil Pan Hd Screw      | 01  |
| 42    | 91545  | Compression Spring           | 02  |
| 41    | 91892  | M8 x 35mm Cap Screw          | 02  |
| 40    | 91966  | Washer, .48x.88x.02          | 02  |
| 39    | 91772  | Wave Washer                  | 01  |
| 38    | 91615  | Shim, Non-op Side Spindle    | 07  |
| 37    | 91950  | Ø 8mm, Plain Washer          | 06* |
| 36    | 91755  | M10 x 25mm Cap Screw         | 04  |
| 35    | 91976  | Ø 10mm, Plain Washer         | 04  |
| 34    | 91758  | M8 x 20mm Cap Screw          | 02  |
| 33    | 91709  | Ø6mm x 12mm Shoulder Screw   | 06  |
| 32    | 91761  | M6 x 18mm Cap Screw          | 06  |
| 31    | 91889  | M5 x 10mm Set Screw          | 03* |
| 30    | 91894  | M8 X 16mm Cap Screw          | *   |
| 29    | 91662  | Ø12mm Retaining Ring         | 02  |
| 28    | 91664  | Ø20mm Retaining Ring         | 02  |
| 27    | 91623  | Thrust Washer                | 02  |
| 26    | 90756  | T-Allen Kex, 2.5mm           | 01  |
| 25    | 90758  | Ball End Allen Key, 8mm      | 01  |
| 24    | 95620  | Non-Op Side Pan Mount        | 01  |
| ITEM# | PART # | DESCRIPTION                  | QTY |

|       |        |                           |     |
|-------|--------|---------------------------|-----|
| 23    | 91529  | Hose Clip, Ø3/4"          | 03  |
| 22    | 91528  | Plastic Hose, Ø1/2"       | 01  |
| 21    | 91521  | Auto Latch Pin            | 01  |
| 20    | 92056  | Clutch Bearing            | 02  |
| 19    | 95610  | Op Side Pan Mount         | 01  |
| 18    | 91522  | Bearing Ø20 x Ø37 x 9     | 02  |
| 17    | 93468  | Blanking Plug, 2"         | 01  |
| 16    | 91516  | Spacer, Pivot Block       | 02  |
| 15    | 91515  | Spacer, Link              | 02  |
| 14    | 91514  | ON/OFF Spring             | 02  |
| 13    | 91619  | Bearing Housing, GT 46/52 | 01  |
| 12    | 91512  | Fixing Block              | 02  |
| 11    | 91511  | Adjust Eccentric          | 02  |
| 10    | 92586  | Bearing Ø12 x Ø32 x 10    | 02  |
| 09    | 91618  | Drive Gear, GT 46/52      | 01  |
| 08    | 91508  | Stripe Limit Boss         | 02  |
| 07    | 91507  | ON/OFF Link               | 02  |
| 06    | 91506  | Pivot Block, Op Side      | 01  |
| 05    | 91505  | Pivot Block Non-Op Side   | 01  |
| 04    | 91504  | Non-Op Side Spindle       | 01  |
| 03    | 91622  | Drive Spindle             | 01  |
| 02    | 91502  | Bracket Non-Op Side       | 01  |
| 01    | 91501  | Bracket Op-Side           | 01  |
| ITEM# | PART # | DESCRIPTION               | QTY |

