

Date of Installation : \_\_\_\_\_

Unit Serial Number : \_\_\_\_\_

Kompac Dealer : \_\_\_\_\_

# Kompac®



A DIVISION OF DAY INTERNATIONAL, INC.



DAY INTERNATIONAL, INC.

Image Transfer Group

**Kompac**



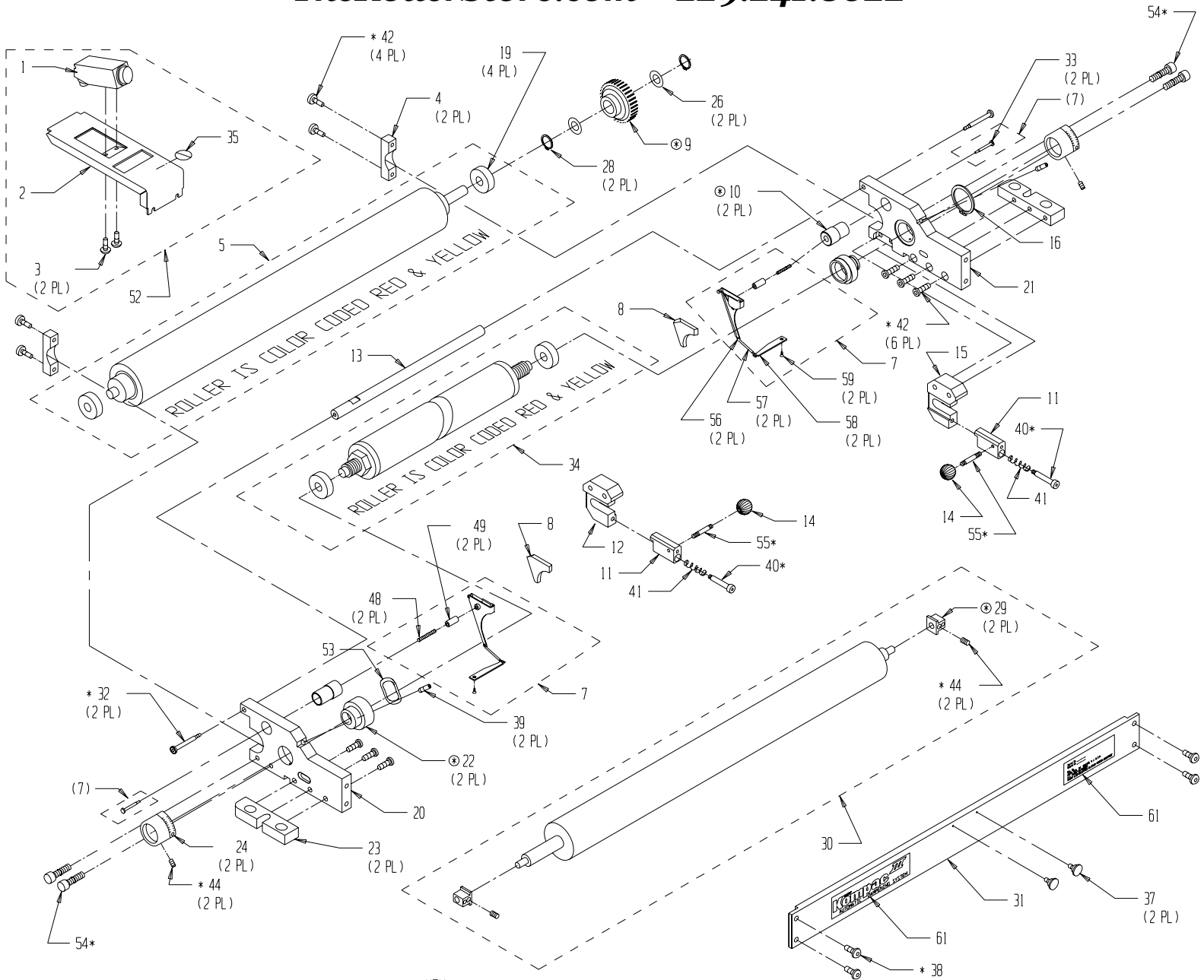
## AD - 506

Parts Catalog # 090442

159 DWIGHT PLACE , FAIRFIELD , NEW JERSEY 07004

TEL: 973-227-8611 / 800-541-5702

FAX: 973-227-7532



**KEY**  
 \* USE LOCTITE (BRACKET KIT ITEM, P/N 092061).  
 ⊗ GREASE MOVING PARTS PRIOR TO ASSEMBLY.  
 \*\*\* ITEM IS INCLUDED WITH OUTLINED SUBASSEMBLY.

ITEM	PART #	DESCRIPTION	QTY.	ITEM	PART #	DESCRIPTION	QTY.	ITEM	PART #	DESCRIPTION	QTY.
61.	098026	LABELS, TIE PLATE	1	40.	091708	M6 X 30mm SHOULDER SCREW	2	20.	092176	NON-OP SIDE 515 FRAME	1
59.	091760	M4 x 10mm SOCKET HEAD CAP SCW	***	39.	091889	M5 x 10mm SOCKET HEAD SET SCW	2	19.	092586	BEARING, BALL (6201)	***
58.	092234	TAB	***	38.	091766	M6 x 12mm BUTTON HEAD CAP SCW	4				
57.	092259	TAB SPRING COVER	***	37.	092062	M5 THUMB SCREW	2				
56.	092236	TAB SPRING	***					16.	091660	RETAINING RING (Ø 1")	1
55.	091417	THREADED STUD, SHORT	2	35.	092601	SAFETY STICKER	***	15.	091572	OSC.MTG. BLOCK, OP-SIDE	1
54.	092129	M6 x 25mm LOW HD SDC SCREW	4	34.	092580	MET. ROLLER ASSY W/BEARINGS	1	14.	092055	BALL KNOB	2
53.	091772	WAVE SPRING (32mm)	1	33.	092303	SEAL PLATE SHOULDER SCREW	***	13.	092617	TIE ROD	1
52.	099330	AD 500 NOZZLE COVER ASSEMBLY	1	32.	091711	M6 x 10mm SHOULDER SCREW	2	12.	091571	OSC.MTG. BLOCK, NOP-SIDE	1
				31.	092487	TIE PLATE	1	11.	095697	CLAMP, OSCILLATOR	2
				30.	091470	OSCILLATOR	1	10.	092292	BACKING PLATE STANDOFF	2
				29.	092174	METRIC ALIGNMENT BLOCK	***	9.	090860	FORM GEAR ASSEMBLY	1
49.	092304	GUIDE PIN	***	28.	091662	12mm RETAINING RING	2	8.	090850	KIII SEAL SET (R.H. & L.H.)	1
48.	092242	COMPRESSION SPRING	***					7.	090870	SEAL BACKING PLATE KIT	1
				26.	091966	SPACER WASHER, .875 x .478	2				
								5.	090840	FORM ROLLER ASSY W/ BEARINGS	1
44.	091888	M5 x 5mm SOCKET HEAD SET SCW	2	24.	092612	METERING GAUGE	2	4.	092179	BEARING CLAMP, FORM ROLLER	2
				23.	092178	ATTACHMENT BLOCK	2	3.	091806	6-32 X 3/8" PHIL. HEAD SCREW	***
42.	091761	M6 x 18mm SOCKET HEAD CAP SCW	10	22.	092175	ECCENTRIC, METERING ROLLER	2	2.	092605	NOZZLE BRACKET	***
41.	095698	SPRING, COMPRESSION	2	21.	092177	OP SIDE 515 FRAME	1	1.	092700	NOZZLE ASS'Y	***
ITEM	PART #	DESCRIPTION	QTY.	ITEM	PART #	DESCRIPTION	QTY.	ITEM	PART #	DESCRIPTION	QTY.