

Date of Installation : \_\_\_\_\_

Unit Serial Number : \_\_\_\_\_

Kompac Dealer : \_\_\_\_\_

# Kompac®



A DIVISION OF DAY INTERNATIONAL, INC.



DAY INTERNATIONAL, INC.

Image Transfer Group

**Kompac®**



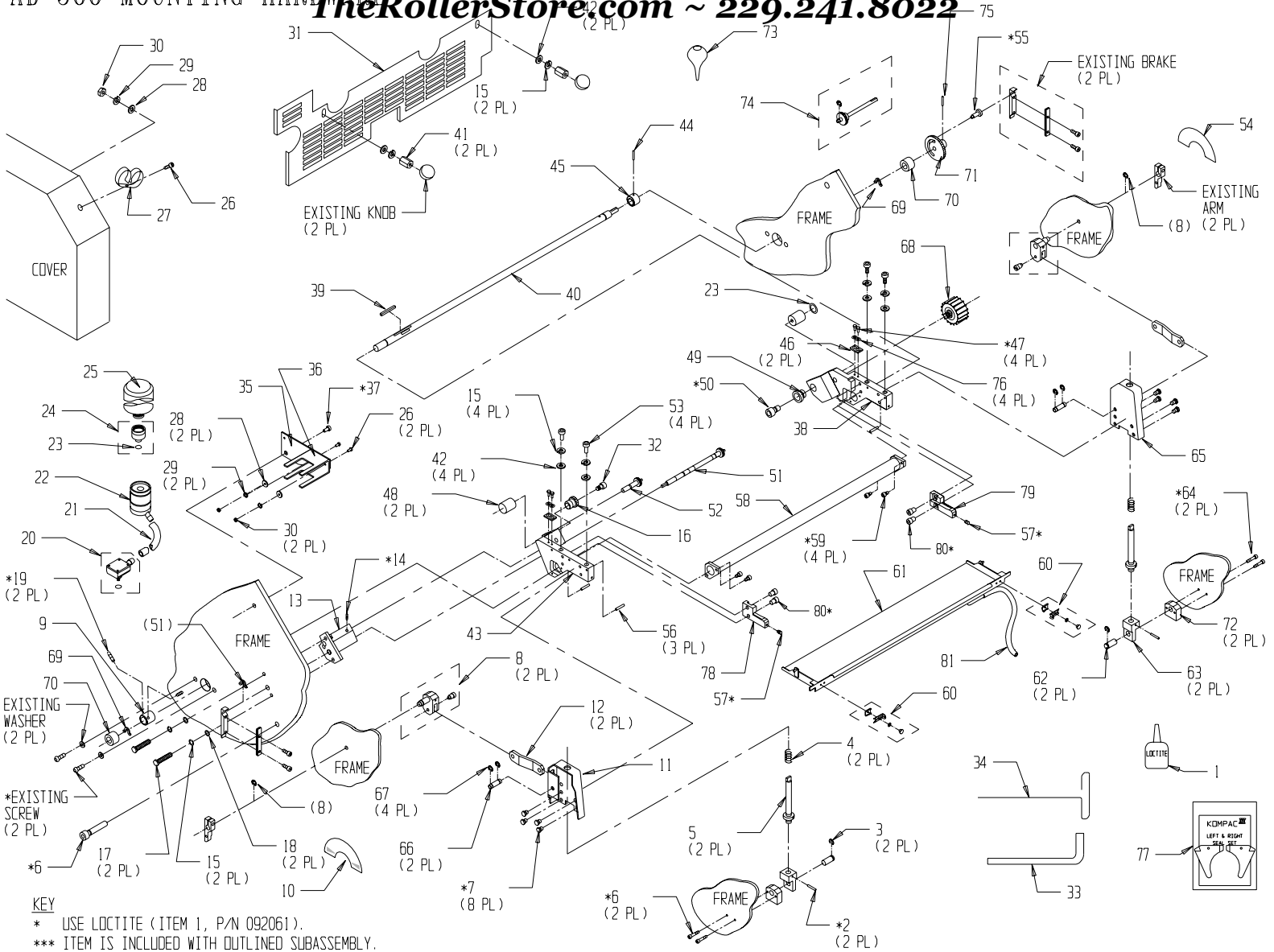
## AD-500

Parts Catalog # 090442

159 DWIGHT PLACE , FAIRFIELD , NEW JERSEY 07004

TEL: 973-227-8611 / 800-541-5702

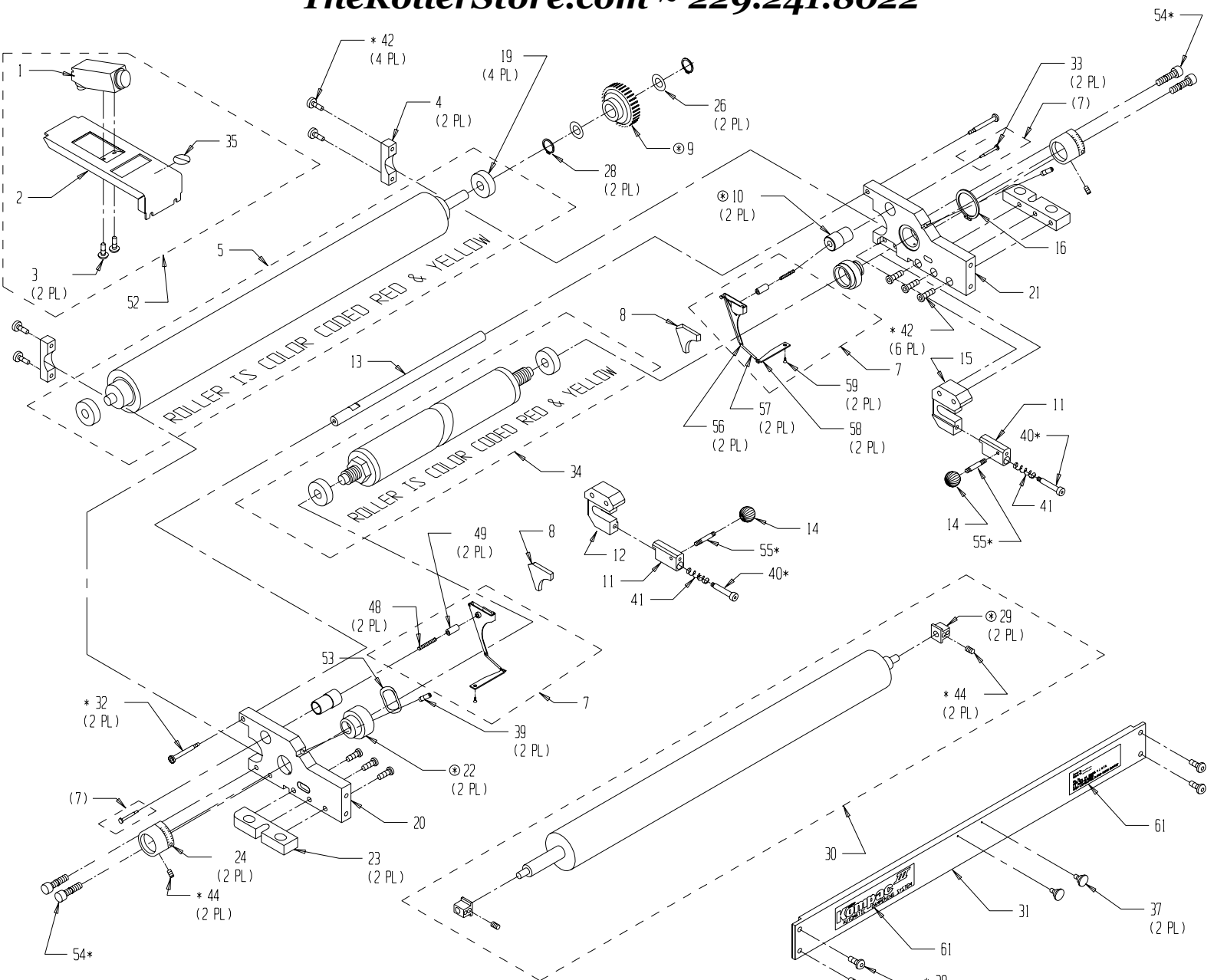
FAX: 973-227-7532



**KEY**  
 \* USE LOCTITE (ITEM 1, P/N 092061).  
 \*\*\* ITEM IS INCLUDED WITH OUTLINED SUBASSEMBLY.

|     |        |                               |   |     |        |                                |   |     |        |                               |     |
|-----|--------|-------------------------------|---|-----|--------|--------------------------------|---|-----|--------|-------------------------------|-----|
| 81. | 091528 | CLEAR PLASTIC HOSE, I.D. 3/8" | 1 | 54. | 090465 | STRIPE ADJUST LABEL            | 1 | 27. | 091672 | SPRING CLIP                   | 1   |
| 80. | 091721 | M8 x 12mm LDW HD CAP SCREW    | 4 | 53. | 091763 | M10 x 25mm LDW HEAD CAP SCREW  | 4 | 26. | 091765 | M5 x 12mm BUTTON HEAD CAP SCW | 3   |
| 79. | 098712 | BRKT, FORM ROLLER PAN, OPS    | 1 | 52. | 090770 | SKEW IDLER SHAFT ASS'Y         | 1 | 25. | 092771 | CALIBRATED BOTTLE             | 1   |
| 78. | 098713 | BRKT, FORM ROLLER PAN, NOPS   | 1 | 51. | 090780 | SKEW ADJUST ASS'Y              | 1 | 24. | 092760 | DISPENSING VALVE ASS'Y        | 1   |
| 77. | 090850 | KIII SEAL SET (L.H. & R.H.)   | 1 | 50. | 091713 | M10 x 20mm SHOULDER SCREW      | 1 | 23. | 092765 | VALVE BODY O-RING             | *** |
| 76. | 091981 | M4 FLAT WASHER                | 4 | 49. | 092619 | BRACKET SPACER                 | 1 | 22. | 092740 | BOTTLE VALVE ASS'Y            | 1   |
| 75. | 091736 | 3mm x 18mm ROLL PIN           | 1 | 48. | 090764 | SPACER CAP                     | 2 | 21. | 092756 | 1/2" I.D. VINYL TUBING        | 1   |
| 74. | 090810 | STRIPE ADJUST DRIVE ASSEMBLY  | 1 | 47. | 091760 | M4 x 10mm SOCKET HEAD CAP SCW  | 4 | 20. | 092750 | ADAPTOR BASE ASSEMBLY         | 1   |
| 73. | 092778 | KDMPAC SYRINGE                | 1 | 46. | 092598 | STOP PLATE                     | 2 | 19. | 091700 | M6 x 6mm SOCKET HEAD SET SCW  | 2   |
| 72. | 092624 | SPRING BLOCK                  | 2 | 45. | 092629 | ECCENTRIC COLLAR, R.H.         | 1 | 18. | 091979 | FLAT WASHER, .414"x 1"x .093" | 2   |
| 71. | 092564 | STRIPE ADJUST GEAR            | 1 | 44. | 091947 | 5mm X 24mm ROLL PIN            | 1 | 17. | 091764 | M10 x 45mm HEX HEAD CAP SCREW | 2   |
| 70. | 092614 | STRIPE SET ROD BUSHING        | 1 | 43. | 092961 | NON-OP SIDE BRACKET            | 1 | 16. | 090990 | SKEW ECCENTRIC ASSEMBLY       | 1   |
| 69. | 091663 | 16mm RETAINING RING           | 2 | 42. | 091976 | M10 FLAT WASHER                | 6 | 15. | 091741 | M10 SPLIT LOCK WASHER         | 8   |
| 68. | 090820 | IDLER GEAR ASSEMBLY           | 1 | 41. | 091732 | M10 HEX NUT                    | 2 | 14. | 091701 | M6 x 10mm SET SCREW           | 1   |
| 67. | 091680 | 8mm E-RING                    | 4 | 40. | 092633 | FORM STRIPE ADJUST ROD         | 1 | 13. | 092535 | SKEW ADJUST BOSS              | 1   |
| 66. | 092574 | LINKAGE PIN                   | 2 | 39. | 092632 | SQUARE KEY STOCK               | 1 | 12. | 092595 | THROW ARM                     | 2   |
| 65. | 092594 | SPRING BRACKET OP-SIDE        | 1 | 38. | 092962 | OP-SIDE BRACKET                | 1 | 11. | 092593 | SPRING BRKT, NON-OP SIDE      | 1   |
| 64. | 091762 | M6 x 35mm SOCKET HEAD CAP SCW | 2 | 37. | 091767 | M10 x 16mm BUTTON HD CAP SCREW | 1 | 10. | 090464 | SKEW ADJUST LABEL             | 1   |
| 63. | 092626 | SPRING PIVOT BLOCK            | 2 | 36. | 092749 | UNIVERSAL BOTTLE BRACKET       | 1 | 9.  | 092628 | ECCENTRIC COLLAR, L.H.        | 1   |
| 62. | 092623 | PIVOT STUD                    | 2 | 35. | 092618 | BOTTLE BRACKET BASE            | 1 | 8.  | 090790 | THROW BLOCK ASS'Y             | 2   |
| 61. | 098711 | PAN, F/R OSC, AD505           | 1 | 34. | 090756 | 2.5mm T-WRENCH                 | 1 | 7.  | 091894 | M8 x 16mm SOCKET HEAD CAP SCW | 8   |
| 60. | 090800 | LATCH ASSEMBLY                | 2 | 33. | 090757 | 8mm HEX KEY WRENCH             | 1 | 6.  | 091887 | M6 x 30mm SOCKET HEAD CAP SCW | 3   |
| 59. | 091710 | M6 x 10mm SHOULDER SCREW      | 4 | 32. | 091714 | M10 x 25mm SHOULDER SCREW      | 1 | 5.  | 090830 | SPRING ROD ASS'Y              | 2   |
| 58. | 092181 | BRACKET TIE BAR               | 1 | 31. | 092606 | ADAST 515 SAFETY COVER         | 1 | 4.  | 092060 | DIE SPRING                    | 2   |
| 57. | 092057 | THREADED STUD                 | 2 | 30. | 091752 | M5 x .8 HEX NUT                | 3 | 3.  | 091681 | 9mm E-RING                    | 2   |
| 56. | 091948 | 5mm x 32mm ROLL PIN           | 3 | 29. | 091740 | M5 SPLIT LOCK WASHER           | 3 | 2.  | 091889 | M5 x 10mm SOCKET HEAD SET SCW | 2   |
| 55. | 091712 | M8 x 12mm SHOULDER SCREW      | 1 | 28. | 091978 | M5 FLAT WASHER                 | 3 | 1.  | 092061 | LOCTITE 5 ml                  | 1   |

| ITEM | PART # | DESCRIPTION | QTY. | ITEM | PART # | DESCRIPTION | QTY. | ITEM | PART # | DESCRIPTION | QTY. |
|------|--------|-------------|------|------|--------|-------------|------|------|--------|-------------|------|
|------|--------|-------------|------|------|--------|-------------|------|------|--------|-------------|------|



**KEY**  
 \* USE LOCTITE (BRACKET KIT ITEM, P/N 092061).  
 ⊕ GREASE MOVING PARTS PRIOR TO ASSEMBLY.  
 \*\*\* ITEM IS INCLUDED WITH OUTLINED SUBASSEMBLY.

| ITEM | PART # | DESCRIPTION                   | QTY. | ITEM | PART # | DESCRIPTION                   | QTY. | ITEM | PART # | DESCRIPTION                  | QTY. |
|------|--------|-------------------------------|------|------|--------|-------------------------------|------|------|--------|------------------------------|------|
| 61.  | 098026 | LABELS, TIE PLATE             | 1    | 40.  | 091708 | M6 X 30mm SHOULDER SCREW      | 2    | 20.  | 092176 | NON-OP SIDE 515 FRAME        | 1    |
| 59.  | 091760 | M4 x 10mm SOCKET HEAD CAP SCW | ***  | 39.  | 091889 | M5 x 10mm SOCKET HEAD SET SCW | 2    | 19.  | 092586 | BEARING, BALL (6201)         | ***  |
| 58.  | 092234 | TAB                           | ***  | 38.  | 091766 | M6 x 12mm BUTTON HEAD CAP SCW | 4    |      |        |                              |      |
| 57.  | 092259 | TAB SPRING COVER              | ***  | 37.  | 092062 | M5 THUMB SCREW                | 2    |      |        |                              |      |
| 56.  | 092236 | TAB SPRING                    | ***  |      |        |                               |      | 16.  | 091660 | RETAINING RING (Ø 1")        | 1    |
| 55.  | 091417 | THREADED STUD, SHORT          | 2    | 35.  | 092601 | SAFETY STICKER                | ***  | 15.  | 091572 | OSC.MTG. BLOCK, OP-SIDE      | 1    |
| 54.  | 092129 | M6 x 25mm LDW HD SOC SCREW    | 4    | 34.  | 092580 | MET. ROLLER ASSY W/BEARINGS   | 1    | 14.  | 092055 | BALL KNOB                    | 2    |
| 53.  | 091772 | WAVE SPRING (32mm)            | 1    | 33.  | 092303 | SEAL PLATE SHOULDER SCREW     | ***  | 13.  | 092617 | TIE ROD                      | 1    |
| 52.  | 099330 | AD 500 NOZZLE COVER ASSEMBLY  | 1    | 32.  | 091711 | M6 x 10mm SHOULDER SCREW      | 2    | 12.  | 091571 | OSC.MTG. BLOCK, NDP-SIDE     | 1    |
|      |        |                               |      | 31.  | 092487 | TIE PLATE                     | 1    | 11.  | 095697 | CLAMP, OSCILLATOR            | 2    |
|      |        |                               |      | 30.  | 091470 | OSCILLATOR                    | 1    | 10.  | 092292 | BACKING PLATE STANDOFF       | 2    |
|      |        |                               |      | 29.  | 092174 | METRIC ALIGNMENT BLOCK        | ***  | 9.   | 090860 | FORM GEAR ASSEMBLY           | 1    |
| 49.  | 092304 | GUIDE PIN                     | ***  | 28.  | 091662 | 12mm RETAINING RING           | 2    | 8.   | 090850 | KIII SEAL SET (R.H. & L.H.)  | 1    |
| 48.  | 092242 | COMPRESSION SPRING            | ***  | 26.  | 091966 | SPACER WASHER, .875 x .478    | 2    | 7.   | 090870 | SEAL BACKING PLATE KIT       | 1    |
|      |        |                               |      |      |        |                               |      |      |        |                              |      |
|      |        |                               |      |      |        |                               |      | 5.   | 090840 | FORM ROLLER ASSY W/ BEARINGS | 1    |
| 44.  | 091888 | M5 x 5mm SOCKET HEAD SET SCW  | 2    | 24.  | 092612 | METERING GAUGE                | 2    | 4.   | 092179 | BEARING CLAMP, FORM ROLLER   | 2    |
|      |        |                               |      | 23.  | 092178 | ATTACHMENT BLOCK              | 2    | 3.   | 091806 | 6-32 X 3/8" PHIL. HEAD SCREW | ***  |
| 42.  | 091761 | M6 x 18mm SOCKET HEAD CAP SCW | 10   | 22.  | 092175 | ECCENTRIC, METERING ROLLER    | 2    | 2.   | 092605 | NOZZLE BRACKET               | ***  |
| 41.  | 095698 | SPRING, COMPRESSION           | 2    | 21.  | 092177 | OP SIDE 515 FRAME             | 1    | 1.   | 092700 | NOZZLE ASS'Y                 | ***  |
| ITEM | PART # | DESCRIPTION                   | QTY. | ITEM | PART # | DESCRIPTION                   | QTY. | ITEM | PART # | DESCRIPTION                  | QTY. |