

Roller Removal Instructions

Rollers for the Crestline dampener are broken down into numerical categories as follows:

<u>Prefix</u>	<u>Roller Position</u>	<u>Prefix</u>	<u>Roller Position</u>
x07-01..	Form Roller	x07-04..	Oscillator
x07-02.. xsa-0702..	Metering Roller	x07-05.. xsa-0705..	Intermediate Roller
x07-03..	Pan Roller	x07-06..	Bridge Roller

Replacement of metering, intermediate, oscillator & bridge rollers can generally be replaced without removal and disassembly of the dampener from the press with the exception of the Altra Series dampeners on page 4. Consequently, most of these are not covered in these instructions. **Regardless of which roller is being replaced, all roller pressures should be checked prior to operating the dampener after replacement of a roller.**

Roller replacement instructions for each model are listed below:

A.B. Dick	Page	Hamada, Satellite	Page	Ryobi	Page
360	2	555	6	2700	2
375	2	661, 661E	6	2800	2
8800	2	662, 662E	6	3200	2
9800	2	665	6	3200 MCD	5
9900	2	775	6	3302 (4 roll)	2
9985 (4 roll)	2	E47S	6	3302 (6 roll)	3
9985 (6 roll)	3	RS, VS 34	6	3302 (Altra)	4
9985 (Altra)	4			500N	5
6020	4			512	4
		Heidelberg	Page	Sakurai	Page
A.M. Multigraphics	Page	GTO Altra	4	258, 258 E	4
All Models	5	GTO 46/52 (6 roll)	7		
Didde	Page	Imperial	Page	Toko	Page
Apollo 8.5	5	2200	5	1800	5
		3200	5	4700	5
Hamada, Parent	Page	4200	5	4750	5
C248	4	Itek	Page	Townsend	Page
500 CDA	5	950	2	All Models	8
600	5	960	2		
611, 611E	5	975	2		
700	5	985	5		
E47	5	3985 (4 roll)	2		
RS, VS, DU 34	5	3985 (6 roll)	3		
		3985 (Altra)	4		

Side frames diagrams are for reference only. They may not match your model exactly. Always realign dampener on cutter bed & tighten tie bar bolts before installing in press.

1. Remove dampener from press. Lift out metering & oscillator rollers.
2. Take out springs (Diagram A, #1) and save.
3. Remove tie bar bolts by oscillator slots & above water pan blocks.
4. Pull side frames off. **If replacing just the pan roller, proceed to step 6.**
5. Take gear and set collars off form & place on new roller in the exact order as they were on the old roller. On A.B. Dick's the gear is pinned to the form and a new 5/32" x 1 pin is provided. **If replacing just the form, proceed to step 9.**
6. Take gear & collars off pan roller. Remove hanger from one side by taking off acorn nut, washer and clicker plate.
7. Replace the old pan roller with the new one & reassemble bracket assembly.

On 360 & 8800 pan rollers one journal is slightly shorter than the other. Check the journal alignment before removing the pan roller.

8. Place form roller on hanger assembly. On A.B. Dick's make sure the hanger falls between the combo gear on the form roller.
9. Put side frames on dampener, align on a cutter bed and tighten tie bar bolts.
10. Reposition set collars on form and/or pan roller and tighten.
11. Re-install springs removed in step 2.
12. Place metering & oscillator in dampener.
13. Reinstall in press & align hanger brackets by:
 - A. Placing dampener in "On" position.
 - B. Loosen acorn nuts.
 - C. Put pressure with the palm of your hand on tie bar between thumb screws.
 - D. Tighten acorn nuts.
14. Check metering to pan roller pressure & form to plate pressure.

Diagram A

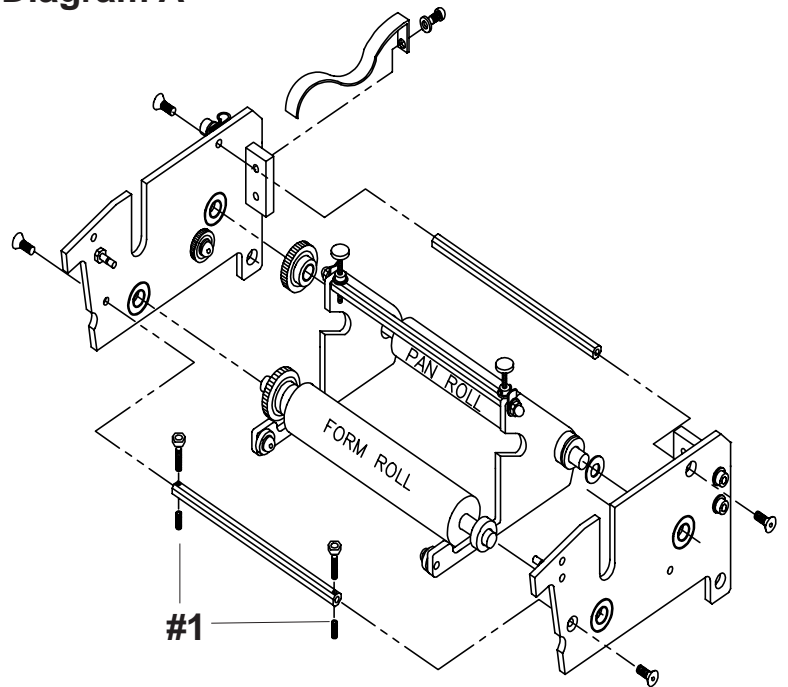
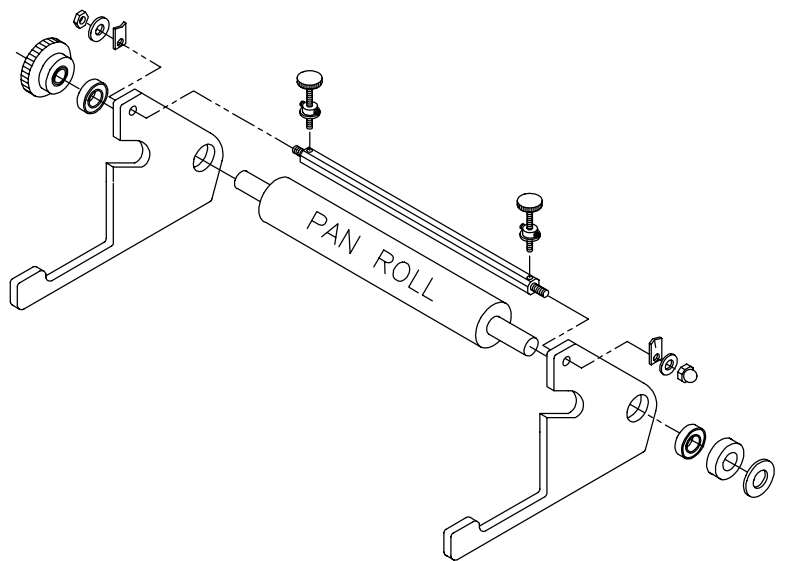


Diagram B



Side frames diagrams are for reference only. They may not match your model exactly. Always realign dampener on cutter bed & tighten tie bar bolts before installing in press.

1. Remove dampener from press. Lift out metering, upper & lower intermediates & oscillator.
2. Remove guard (Diagram A) beneath pan roller.
3. Remove tie bar bolts by oscillator slots & beneath pan roller.
4. Pull side frames off. **The steps are the same if replacing the form or pan roller.**
5. Remove roller from dampener.
6. Take gear and set collars off old roller & place on new roller in the exact same order.
7. Install new roller in frames.
8. Put side frames on dampener, align on a cutter bed and tighten tie bar bolts.
9. Reposition set collars on form and/or pan and tighten.
10. Reinstall in press.
11. Put intermediate rollers in dampener. Make sure the roll pins are to the gear side, **facing up**.
12. Reinstall oscillator & metering rollers.
13. Check the following pressures:

- A. Metering to pan roller.
- B. Metering to upper intermediate (an upgrade to a self compensating pressure device is available. Please contact Accel for more information).
- C. Form to plate pressure.

Diagram A

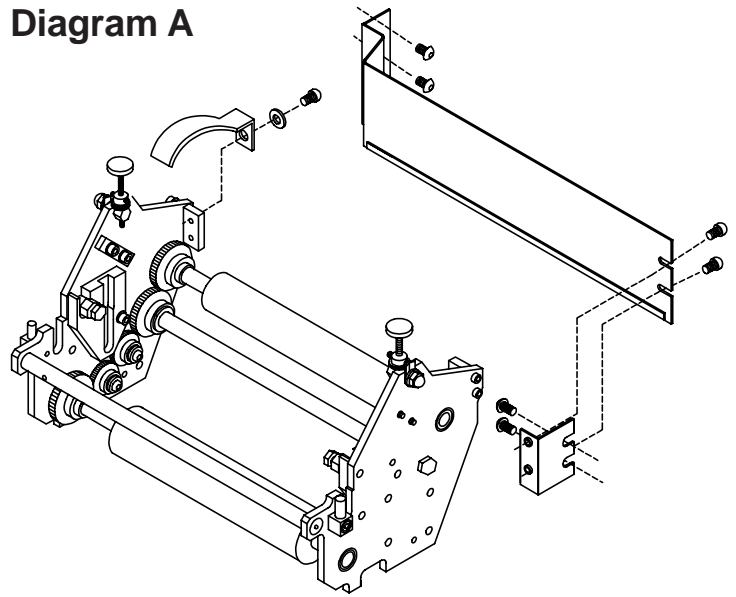
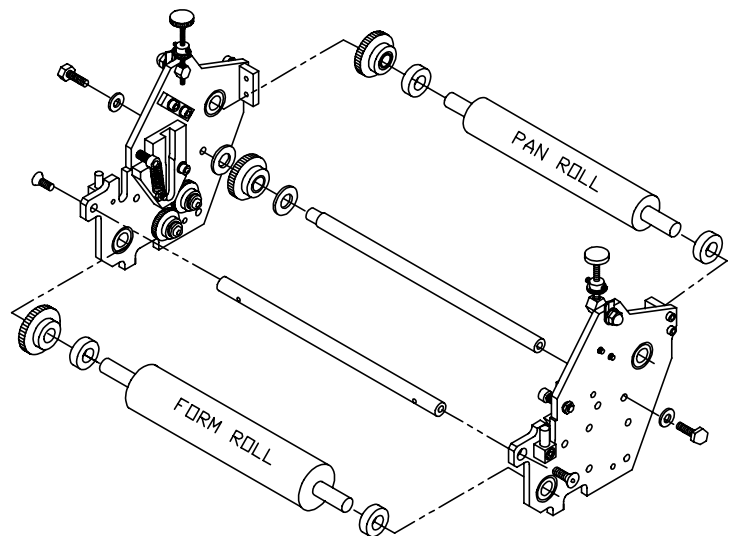


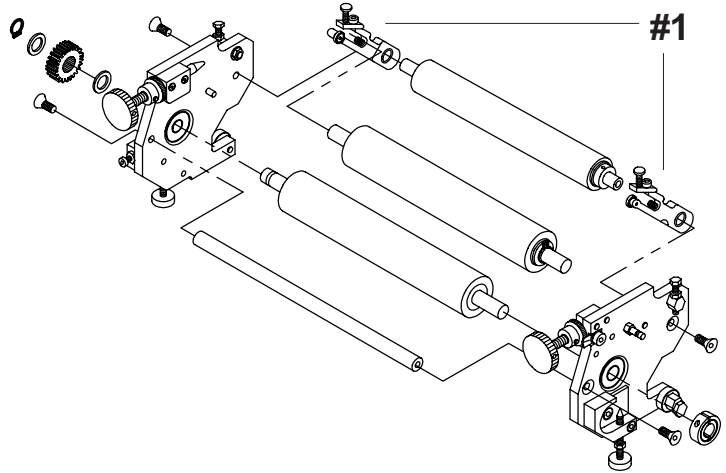
Diagram B



Side frames diagrams are for reference only. They may not match your model exactly. Always realign dampener on cutter bed & tighten tie bar bolts before installing in press.

1. If replacing the form roller it is not necessary to remove the dampener from the press. The form roller is replaced in the same manner as the ink form rollers. **Proceed to step 12.**
2. Remove bridge roller (Ryobi 512 & A.B. Dick 6020).
3. Remove dampener from press. Take metering roller out of hanger bracket assembly.
4. If replacing just the intermediate roller remove the bolts holding the intermediate shaft and pull the hanger bracket assembly off each end (Diagram A, #1).
5. Place the hanger bracket assembly on the new roller and re-install in dampener. **Proceed to step 9.**
6. Remove the tie bar by the pan roller.
7. Take gear and set collars off pan roller, remove side frames and install new roller in frames
8. Put gears & collars back on pan roller, re-install tie bar and intermediate roller assembly.
9. Align dampener on cutter bed and tighten tie bar bolts.
10. Reinstall metering roller in hangers and install dampener in press.
11. Reinstall bridge roller (Ryobi 512 & A.B. Dick 6020).
12. Check the following pressures:
 - A. Metering to pan roller.
 - B. Metering to intermediate.
 - C. Intermediate to oscillator.
 - D. Oscillator to form.
 - E. Form to plate pressure.
 - F. Bridge to intermediate (Ryobi 512 & A.B. Dick 6020).

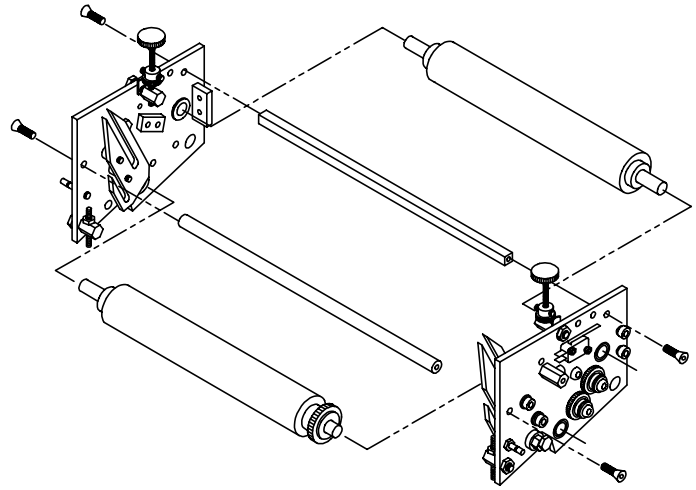
Diagram A



Side frames diagrams are for reference only. They may not match your model exactly. Always realign dampener on cutter bed & tighten tie bar bolts before installing in press.

1. Remove dampener from press. Lift out metering, intermediate & oscillator.
2. Remove tie bar bolts by oscillator slots & pan roller.
3. Pull side frames off. ***The steps are the same if replacing the form or pan roller.***
4. Remove form or pan roller. Take gear and set collars off old roller & place on new roller in the exact order as they were on the old roller.
5. Re-install roller in frame.
6. Put side frames on dampener, align on a cutter bed and tighten tie bar bolts.
7. Reposition set collars on form and/or pan and tighten.
8. Reinstall in press.
9. Put intermediate roller in dampener. Make sure the roll pin is to the gear side, facing up.
10. Reinstall oscillator & metering rollers.
11. Check the following pressures:
 - A. Metering to pan roller.
 - B. Metering to intermediate.
 - C. Form to plate pressure.

Diagram A



Side frames diagrams are for reference only. They may not match your model exactly. Always realign dampener on cutter bed & tighten tie bar bolts before installing in press.

1. Form rollers on newer Hamada satellite units (Diagram B) are replaced like the ink forms. If this is the only roller being replaced, **proceed to step 9.**
2. Remove dampener from press. Lift out metering & oscillator rollers.
3. Remove tie bar bolts. On newer model Hamada satellite units the tie bar containing the thumb screws must come off entirely but does not need to be disassembled.
4. Pull side frames off. Replacement of the pan and form roller is the same.
5. Check the journal alignment before removing the pan or form roller. They may not be symmetrical depending upon the unit.
6. Take gear and set collars off form or pan & place on new roller in the exact same order.
7. Put side frames on dampener, align on a cutter bed and tighten tie bar bolts.

On newer style Hamada satellite units make sure the lift bearings spin freely (Diagram B, #1) and the thumb screws for the metering roller (Diagram B, #2) don't bind.

8. Place metering & oscillator in dampener.
9. Check the following pressures:
 - A. Metering to pan.
 - B. Metering to form.
 - B. Form to plate.

Diagram A

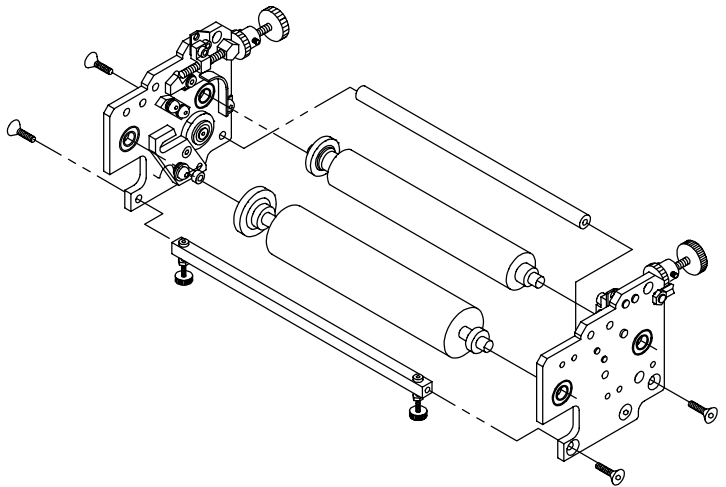
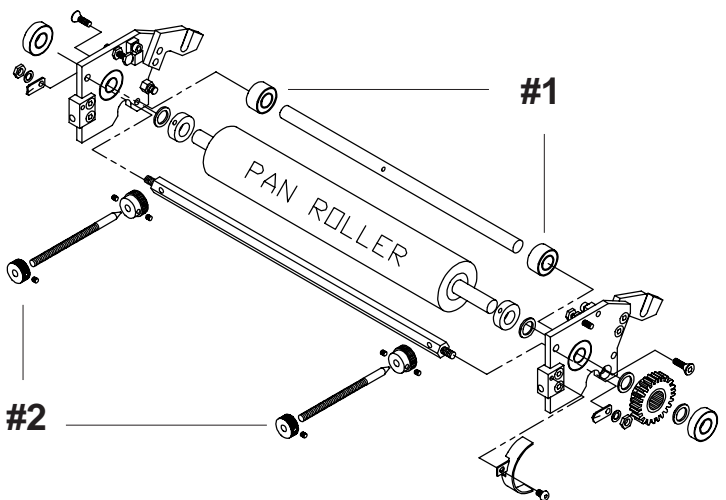


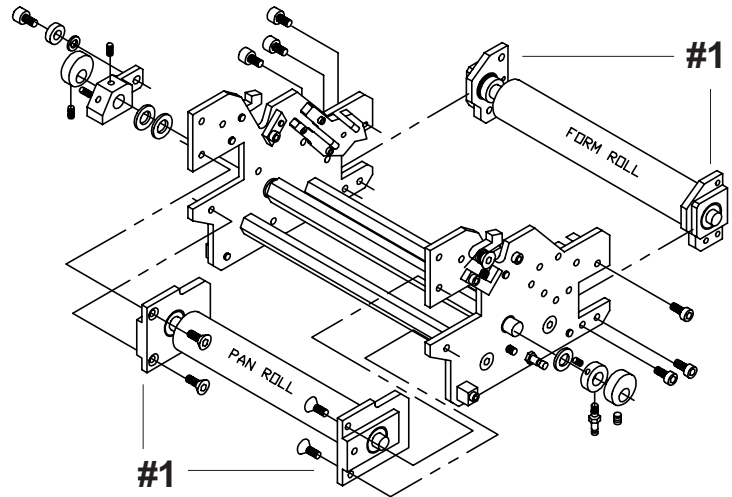
Diagram B



Side frames diagrams are for reference only. They may not match your model exactly. Always realign dampener on cutter bed & tighten tie bar bolts before installing in press.

1. Lift out metering, intermediate & oscillator rollers.
2. Remove dampener from press.
3. It is not necessary to disassemble the dampener to replace the form or pan rollers. The procedure is the same.
4. Remove the bolts holding the roller plates (Diagram A, #1) and pull the roller assembly out.
5. Take gear and set collars off rollers and remove the plates.
6. Place the plates on the new rollers.
7. The gearing on the form rollers have been changed. The clutch gear has been replaced with a gear and keyway at both OPS & NOPS. These new parts are provided with the form roller. **Do not use the old clutch gears on the form roller. Discard to avoid confusion!**
8. Reinstall gears & collars.
9. Reinstall roller plate assembly in dampener, align the rollers and gears and tighten set collars.
10. Install dampener in press.
11. Replace intermediate rollers with roll pins to the NOPS, **facing up**. An upgrade, self compensating hanger assembly is available. Please contact Accel for more information.
12. Install metering and oscillator rollers.
13. Check the following pressures:
 - A. Form to plate.
 - B. Metering to pan.

Diagram A



Side frames diagrams are for reference only. They may not match your model exactly. Always realign dampener on cutter bed & tighten tie bar bolts before installing in press.

Replacing rollers in the Crestline on Townsend T-51 color heads does not require the removal of the dampener from the press. Rollers are replaced as follows:

Form: Pull out form roller shaft and replace roller.

Large Intermediate: Unhook from spring loaded arms and put new roller in place.

Small Intermediate: Loosen set screws holding roller in place and put in new roller.

Oscillator: Pull out old oscillator and drop new roller in slots.

Metering: Pull out old metering and drop new roller in slots.

Pan: Pull out shaft (Diagram B) and install new roller.

Diagram A

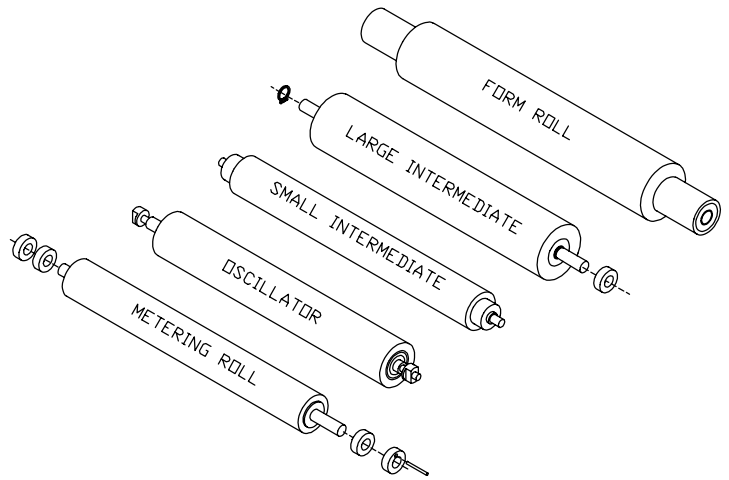
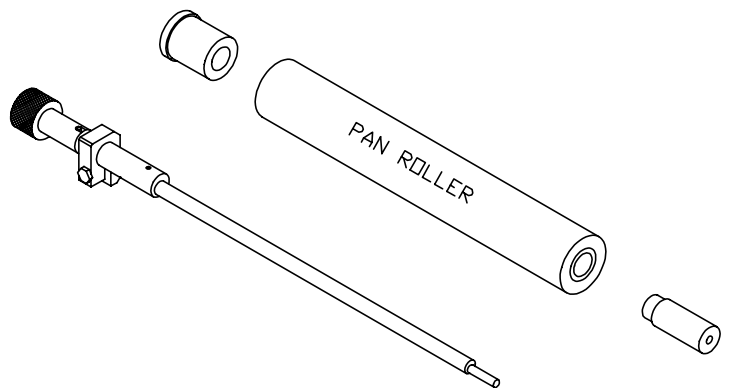


Diagram B



Side frames diagrams are for reference only. They may not match your model exactly. Always realign dampener on cutter bed & tighten tie bar bolts before installing in press.