

Installation Instructions Heidelberg GTO Auxiliary Oscillator Crestline® Altra Series™ Dampeners

Diagram A

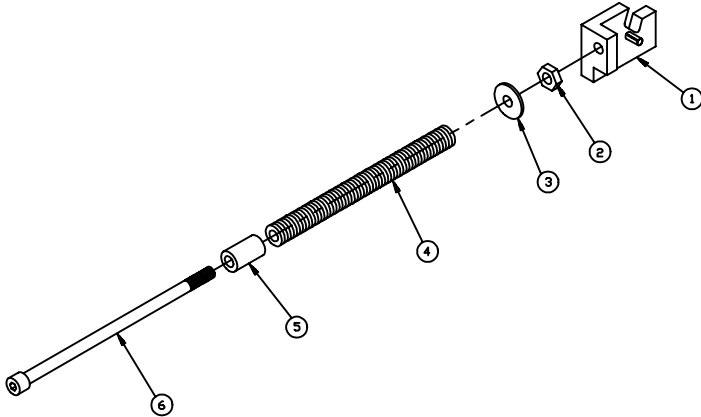


Diagram A

1. On original Heidelberg molleton dampener auxiliary oscillator bracket assembly loosen nut (2) and unscrew long bolt (6) from bracket. Remove nut from end of bolt.
2. In place the original spring, slip on the new spacer (5), spring (4) and washer (3). Replace nut on end of bolt.
3. On end of the bolt attach the new bracket (1). Thread bolt through the bracket until one or two threads protrude through the backside. **Do not tighten lock nut at this time.** (Note: The bracket with the roll pin goes to the OPS.)

Diagram B

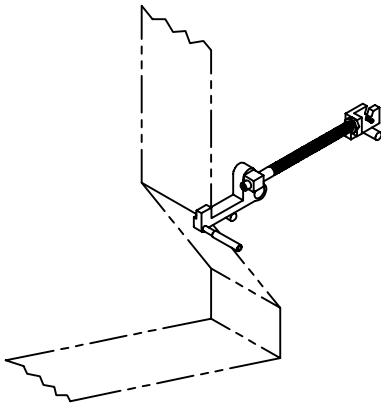


Diagram B

1. Place the new oscillator into the new bracket assembly. It may be easier to do this if you temporarily place the lever in the "Water On" position. The oscillator has a roll pin on one end and a set collar on the other. The roll pin goes to the OPS.
2. With the roller in place, push it slightly towards OPS. Push set collar lightly up against NOPS bracket and tighten collar. Check to make sure the roller activates without binding by pushing the lever forward (toward delivery end of the press) to engage and then back to disengage.
3. With the press lever in the off position and the oscillator lever disengaged, check to see that there is a small gap between the auxiliary oscillator and the water form roller. If necessary, adjust the long bolt and tighten lock nut (2). Once again, check the operation of the roller.