

Crestline® Dampening System

Installation Instructions

Hamada RS/ VS 34 II Parent Unit

DU 34 II Upper Unit



A Pamarco Technologies Inc. Company

GENERAL INFORMATION

**ATTENTION
CRESTLINE®
DAMPENER
OWNER!**

Accel Graphic Systems provides parts and service through its authorized distributors and dealers. Therefore, all requests for parts and service should be directed to your local dealer.

The philosophy of Accel Graphic Systems is to continually improve all of its products. Written notices of changes and improvements are sent to Accel Graphic Systems' Dealers.

If the operating characteristics or the appearance of your product differs from those described in this manual, please contact your local Accel Graphic Systems Dealer for updated information and assistance.

Always update your dampener when improvements are made available, especially those related to safety.

YOUR AUTHORIZED CRESTLINE® DEALER IS:

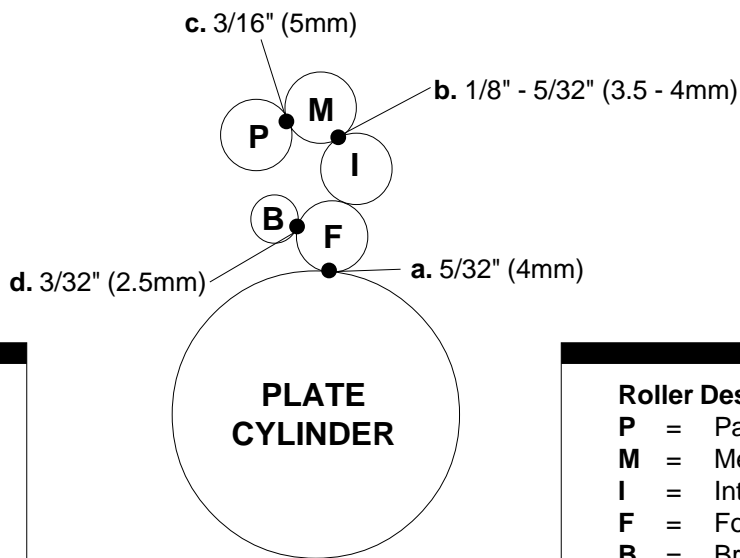
**THE SERIAL NUMBER OF YOUR
CRESTLINE® DAMPENER(S) IS:**

**SAFETY
INFORMATION**

FOR YOUR SAFETY, DO NOT DISENGAGE OR REMOVE ANY GUARDS FROM THE CRESTLINE® DAMPENER. THE DAMPENER CONTAINS SOME INWARD ROTATING ROLLER NIPS THAT CAN CAUSE INJURY IF LEFT UNGUARDED.

GENERAL INFORMATION

BASIC CONFIGURATION OF CRESTLINE®



Adjustments
a. Form to Plate
b. Metering to Intermediate
c. Metering to Pan
d. Bridge to Water Form

Roller Description
P = Pan
M = Metering
I = Intermediate
F = Form
B = Bridge

TERMINOLOGY

- OPS = Operator's Side
- NOPS = Non Operator's Side

TECHNICAL ASSISTANCE

For technical assistance during the installation, please contact:

Accel Graphic Systems
 11103 Indian Trail
 Dallas, TX 75229
 (972) 484-6808
 FAX (800) 365-6510
 E-MAIL accel@dallas.net
 WEB SITE www.accelgraphicsystems.com

Crestline® is covered by U.S. Patents and Patents Pending

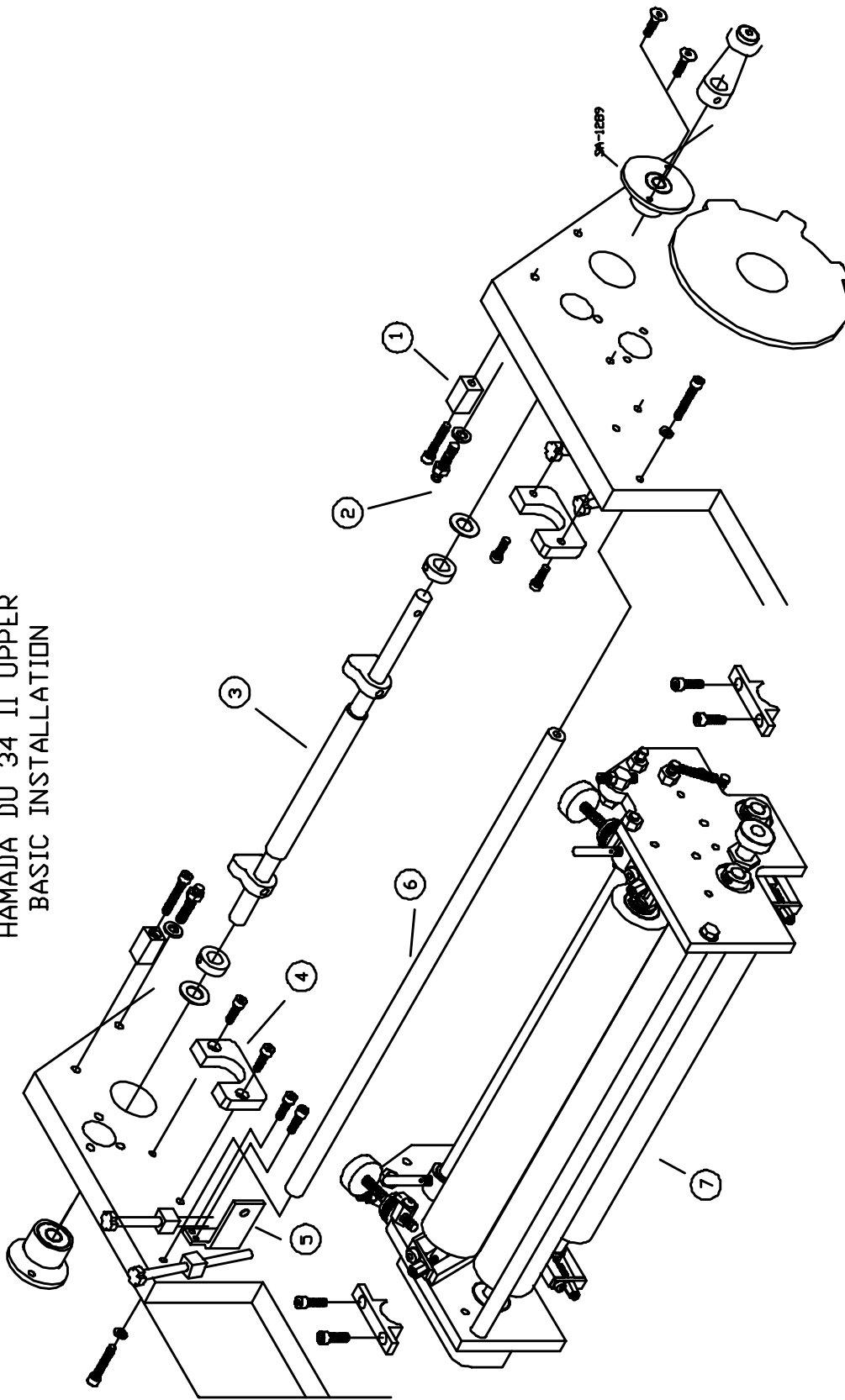
GENERAL INFORMATION

- REQUIRED TOOLS**
1. Phillips Screwdriver
 2. Standard Screwdriver
 3. 10 mm Open End
 4. 13 mm Open End
 5. 2.0 mm Allen Wrench
 6. 2.5 mm Allen Wrench
 7. 3 mm Allen Wrench
 8. 4 mm Allen Wrench
 9. 5 mm Allen Wrench
 10. 8 mm Allen Wrench
 11. 2.5 mm Punch
 12. 3.0 mm Punch
 13. 5.0 mm Punch
 14. Hammer

PRE-INSTALLATION INFORMATION

1. Cut the ties holding the rollers and examine rollers for gouges, scratches, or nicks.
2. Check box and parts board to make sure all pieces are present and nothing has broken in shipping.
3. Check the dampener for parallel. (Cutter bed works best.) If dampener rocks, it needs to be realigned. Loosen tie bar bolts at OPS and align the frames on the flat surface. Retighten bolts.

HAMADA RS/V5 34 II PARENT
HAMADA DU 34 II UPPER
BASIC INSTALLATION



34RIIC90, 3-25-97

INSTALLATION

1

Install form roller stripe stop to the press frame using M5 x 35MM cap screw.

2

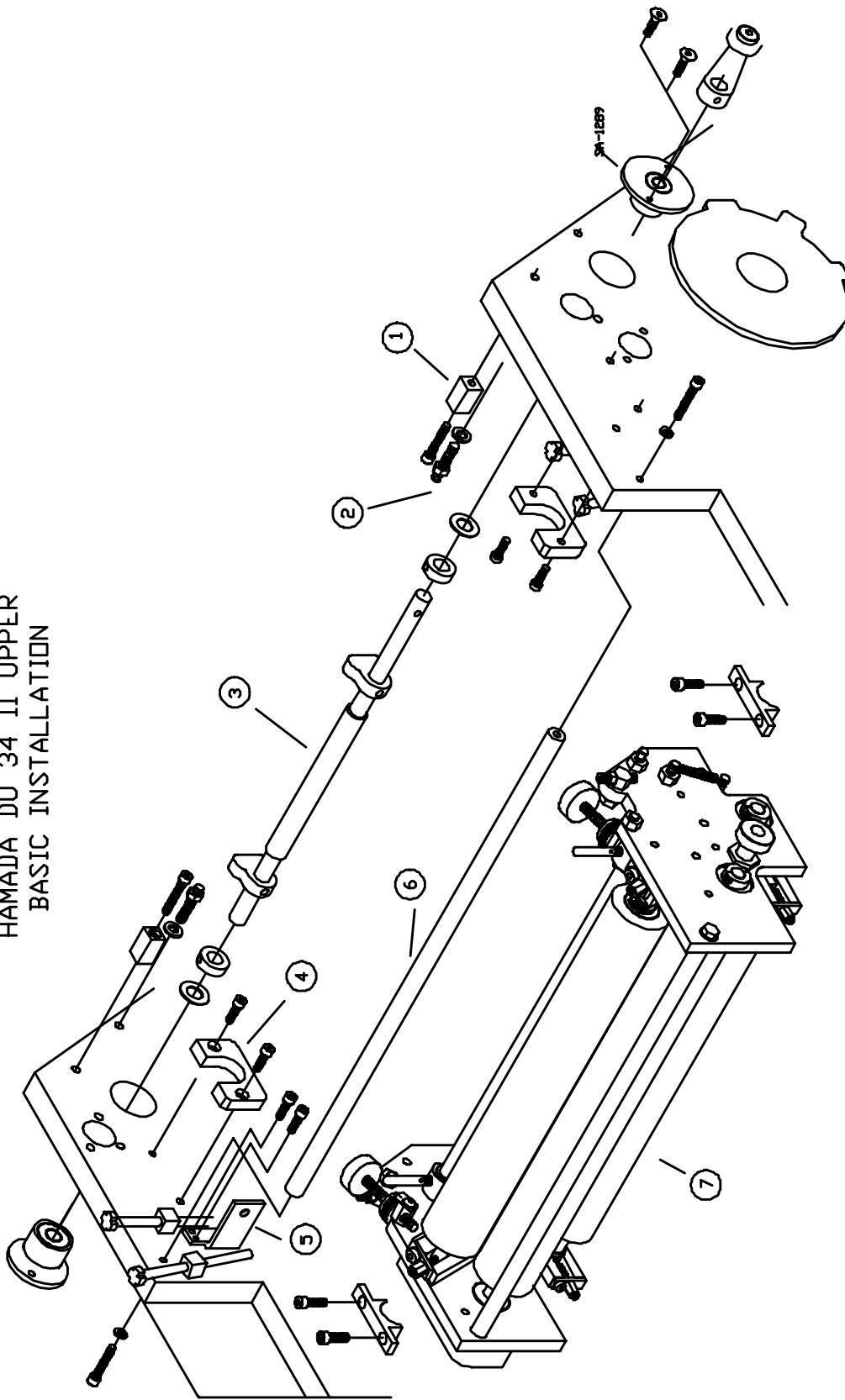
Slip thick black washer over spring stud and install in press frame.

3

On each end of the lift shaft, first place a 12MM set collar and then a thrust washer. Insert shaft into large holes in press frame. Slip the bearing housing over each end of shaft and into large hole in press frame. Secure the bearing housing with the M5 flat-head screws. After the housing is secure, install the lift arm assembly at OPS end of lift shaft and tighten screw in arm into the dimple on the shaft.

7

HAMADA RS/V5 34 II PARENT
HAMADA DU 34 II UPPER
BASIC INSTALLATION



34RIIC90, 3-25-97

INSTALLATION

4

Install the mounting blocks as shown using the M5 x 12 MM cap screws in the upper set of holes.

5

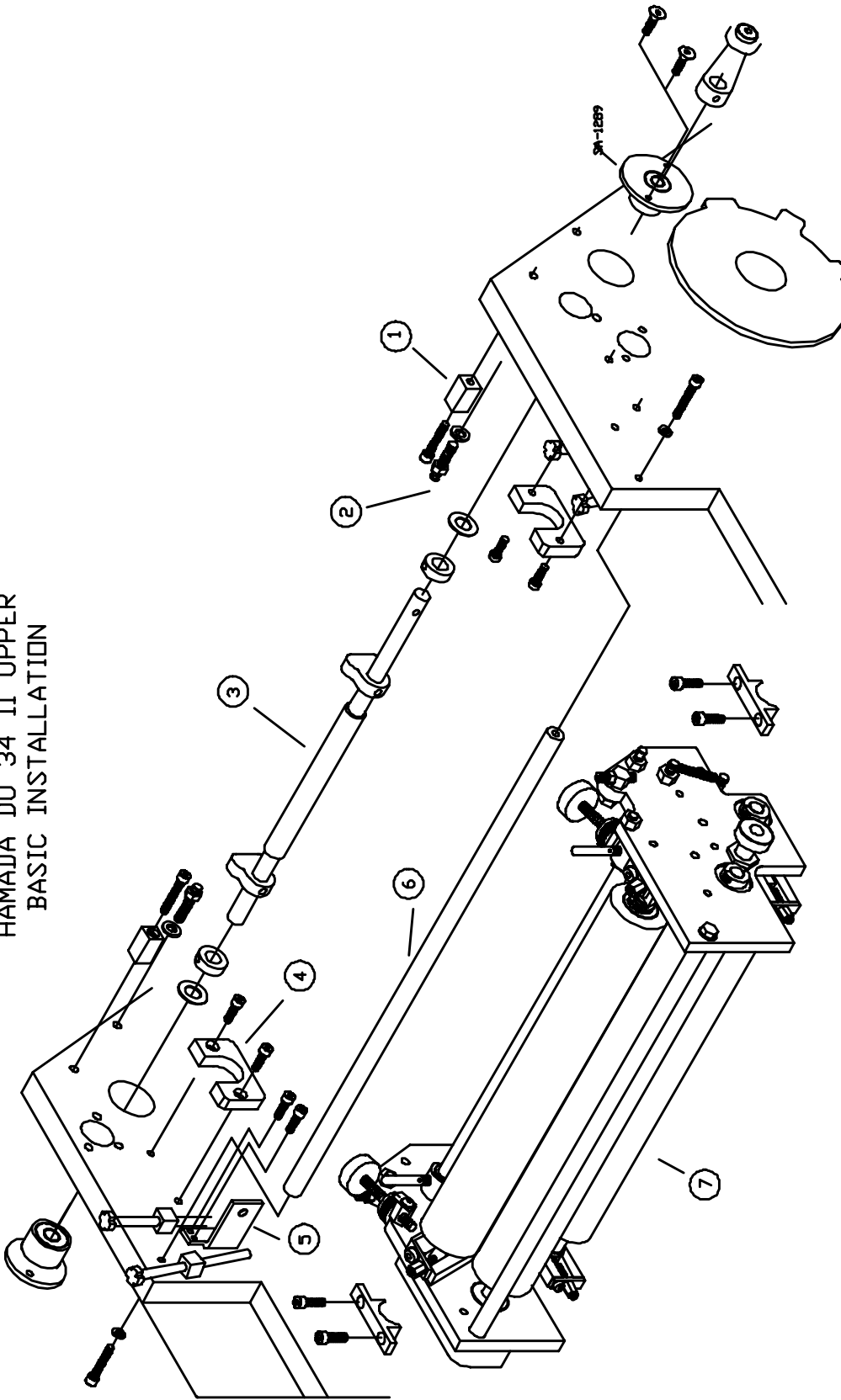
Install the water pan mounting blocks as shown using the M5 x 12MM cap screws.

6

Install the tie bar between the press frames using the M6 x 35MM cap screws.

9

HAMADA RS/VIS 34 II PARENT
HAMADA DU 34 II UPPER
BASIC INSTALLATION



34RIIC90, 3-25-97

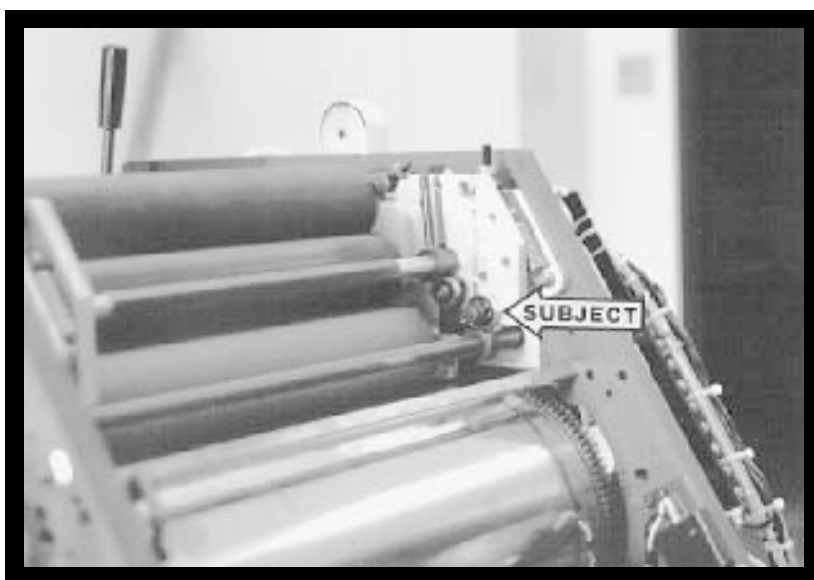
INSTALLATION

7

Place the dampener assembly into the press. The ball bearing protruding from each side of the dampener will fit into the pockets of the mounting blocks. Center the dampener in the press and secure by installing the bearing caps onto the mounting blocks using the M5 x 12MM cap screws. When the dampener is secure, install the extension springs between the spring studs on the press frame and the spring studs on the dampener frame. Finally, position the lift shaft so that the cams line up with the eccentric bearings on the dampener frame and secure by pushing the set collars out against the bearing housings and tightening.

8

Install new safety cover over the dampener.



FINAL ADJUSTMENTS

1

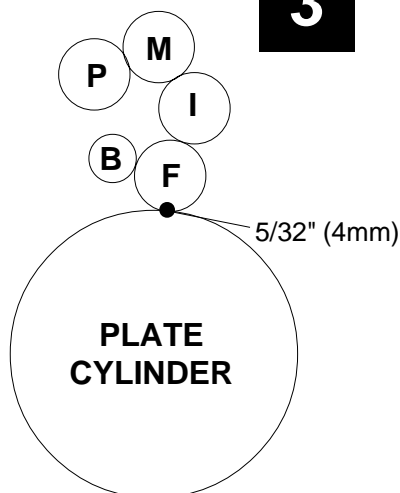
Mount a metal plate to the plate cylinder. With the single lever in the "Off" position, adjust the amount of lift of the water form off the plate. Lift is adjusted by changing the position of the eccentric cams on the dampener frame (subject arrow). Adjust each eccentric until there is an even .050 gap between the plate and form roller.

2

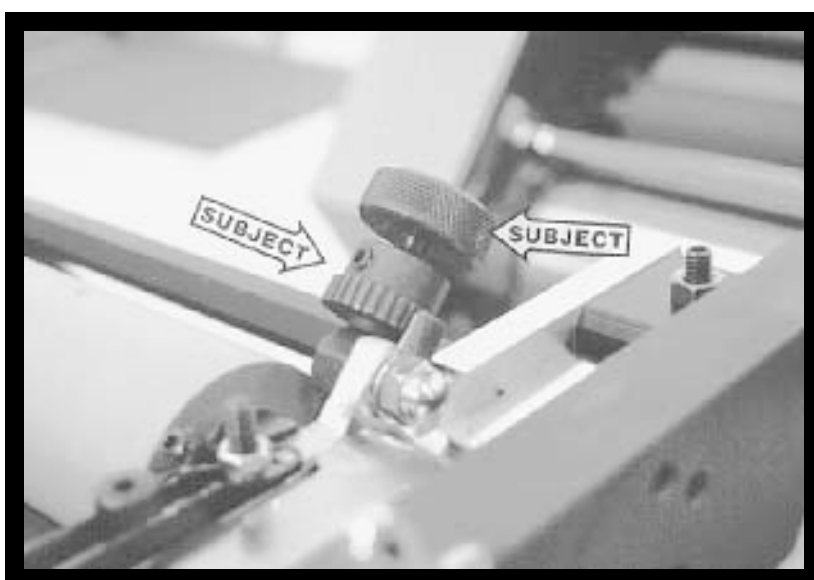
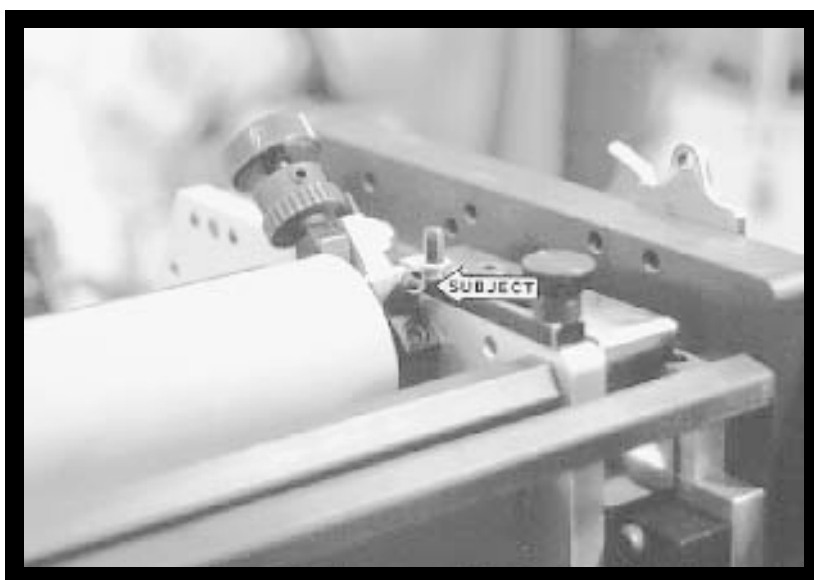
Dab ink on the dampener on a hard roller and turn the press by hand at first to distribute the ink. Slowly jog and run the press until the ink is distributed evenly on all the dampener rollers.

3

Water Form to Plate

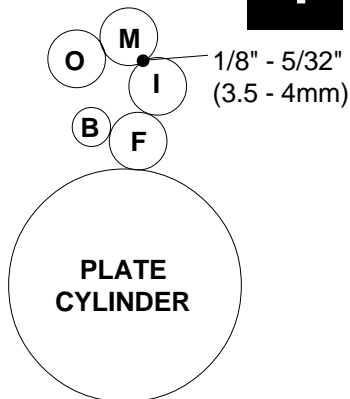


Drop the water form roller to the plate and check the stripe. It should be $\frac{5}{32}$ " (4mm). Adjust the stripe using the stop screws on the dampener frame (subject arrow). **Turning the screw down decreases the stripe.** Lock in place using lock nut.



FINAL ADJUSTMENTS

4



Metering to Intermediate

Check the stripe between the metering and intermediate rollers by dropping the water form to the plate and rotating the press backwards. (Clutches prevent dampener from turning backwards with the water form off the plate. Dropping the form to the plate allows the ink to drive the unit backwards.)

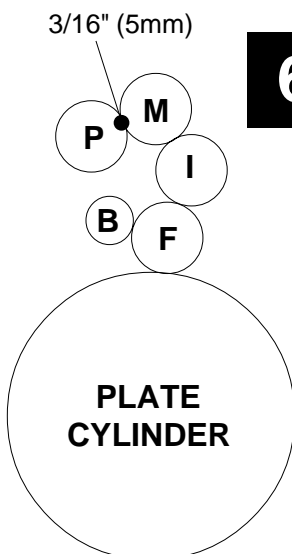
Stripe should be $1/8'' - 5/32''$ (3.5mm - 4mm). Adjust by turning the screw on top of the hanger (subject arrow). **Turning the screw down increases the stripe.** Tighten lock nut when finished.

5

Intermediate to Form

This pressure is set automatically when setting the metering to intermediate in set 4 above.

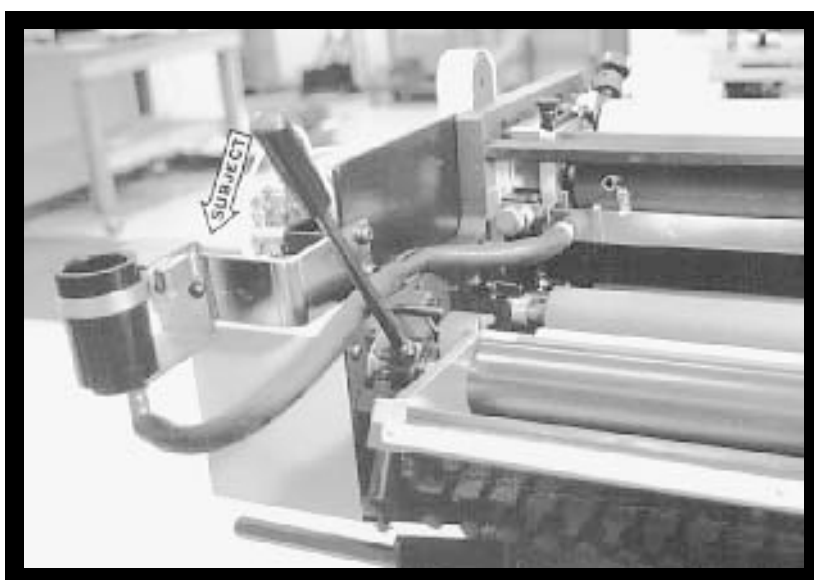
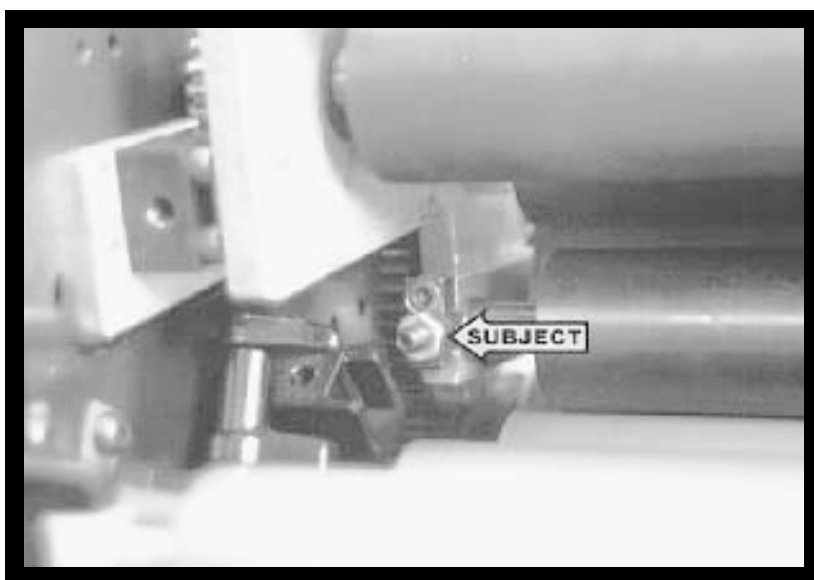
6



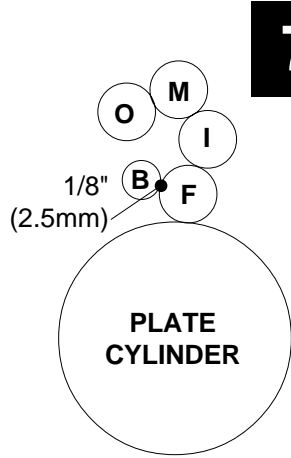
Metering to Pan

Jog the press forward and observe the stripe on the pan roller. It should be $3/16''$ (4.5mm - 5mm). **Turn the knurled metering knobs (right subject arrow) clockwise to increase the stripe.**

When the proper stripe has been obtained, spin the ratchet gears (left subject arrow) down until they bottom out on the stud and secure the ratchet gear to the knurled knobs with the set screws.



FINAL ADJUSTMENTS



7

Bridge to Water Form

Adjust the pressure by turning the adjusting screw (subject arrow) on the bridge roller cap. **Turning the screw in increases the stripe.** The stripe should be no more than 1/8" (2.5 mm) and even all the way across the roller. **Overpressuring the roller can cause the oscillating mechanism to fail.** Lock in place with lock nut.

The bridge roller is intended to make inking and washing up the dampener easier. See sections entitled "Start of Day" and "Wash Ups During The Day". The bridge should not be used during normal operation of the press.

8

Adjust water level in pan by raising or lowering the original water bottle mechanism.

BASIC OPERATION

START OF DAY

- A. Make sure all the rollers are in place.
- B. Spin knurled knobs until the ratchet stops.
- C. Mount plate to cylinder. Wipe down all plates before running. Pre-ink the Crestline® dampener before running the plates with an extremely light coverage of ink by *engaging the bridge roller*. Bridge roller engages by rotating the levers at the OPS & NOPS towards the delivery end of the press, dropping the bridge onto the ink form roller. Disengage by pulling back on the levers until bearing on bridge roller drops into detent.
- D. Place water bottle in bracket.

NOTE: Accel recommends using the proper fountain solution for the plate material being run on the press. A good acid/gum etch should be used with metal plates.

RUNNING DURING THE DAY

- A. In general, the Crestline® should not have to be adjusted from job to job. The form roller setting should never be changed unless it has deviated from the factory specification of 5/32" (4mm) to the plate.
- B. Adjustments to the amount of water fed to the plate are made by the knurled knobs that apply pressure to the metering roller. The dampener has been set up for minimum water. To increase the water to the plate, turn the knurled knobs counter clockwise 1 or 2 clicks at a time. This opens the gap between the metering and pan rollers and allows more water to the plate.
- C. In general, more water will only be required when going from a metal plate to an electrostatic or Silvermaster type plate.

CLEANING & MAINTENANCE

WASH UPS DURING THE DAY

1. Remove bottle and drain the excess water from the pan.
2. Mount a metal plate to the press.
3. Turn on the press and squirt a small amount of press wash on the ink rollers.
4. Engage the bridge roller by rotating the levers at the OPS & NOPS towards the delivery end of the press, dropping the bridge onto the ink form roller.
5. Use wash up attachment as normal. When the press is clean disengage bridge roller by pulling back on the levers until bearing on bridge roller drops into detent.
6. Remove water pan and clean any solution left in it.
7. Be sure to wipe excess clean up solution from the ends of the dampener metering and pan rollers.

END OF THE DAY

1. Wash up press. Pay close attention to cleaning the ends of the pan and metering rollers that extend past the form rollers.
2. Spin the knurled knobs up until the metering roller can be removed.
3. Remove metering roller and wipe down thoroughly to remove any excess wash that may be on the roller.

CLEANING & MAINTENANCE

DEGLAZING THE DAMPENER

If you are running electrostatic masters on a daily basis, the dampener should be deglazed at least once a week with Accel's **Compound X**, deep cleaner and deglazer. If using other plate materials, this should be done every 2 - 4 weeks.

ACCEL RECOMMENDS AVOIDING DEGLAZERS CONTAINING PUMICE OR GRITTY SUBSTANCES.

Avoid washes that are extremely fast drying. Crestline®'s form and pan rollers are made of relatively soft rubber and should not be subjected to harsh, fast drying washers, especially those containing acetone. Fast drying washes should be used for blankets only!

OILING AND GREASING THE DAMPENER

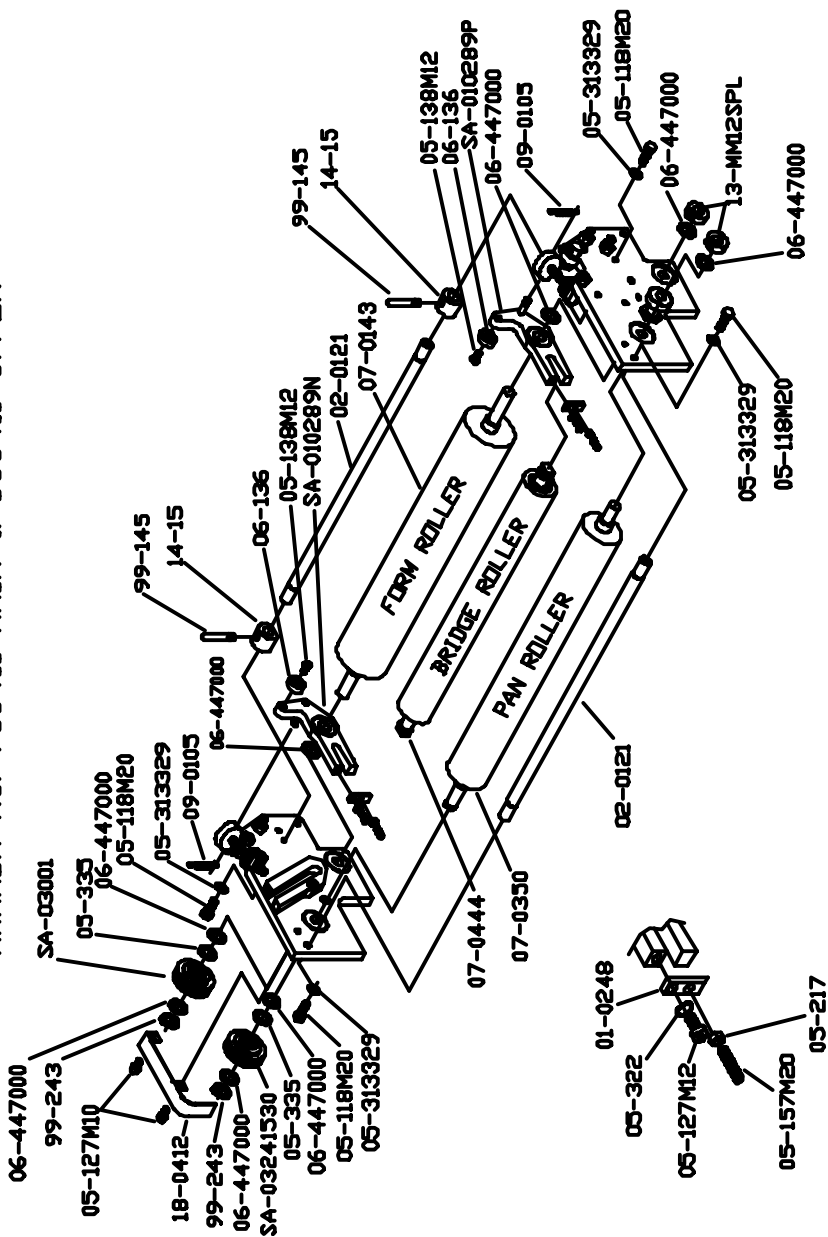
- A. Place a small amount of grease on the gears once a month.
- B. Inject grease into the oscillator grease fitting once a month.

CLEANING & MAINTENANCE

CRESTLINE® CLEANING & MAINTENANCE CHART

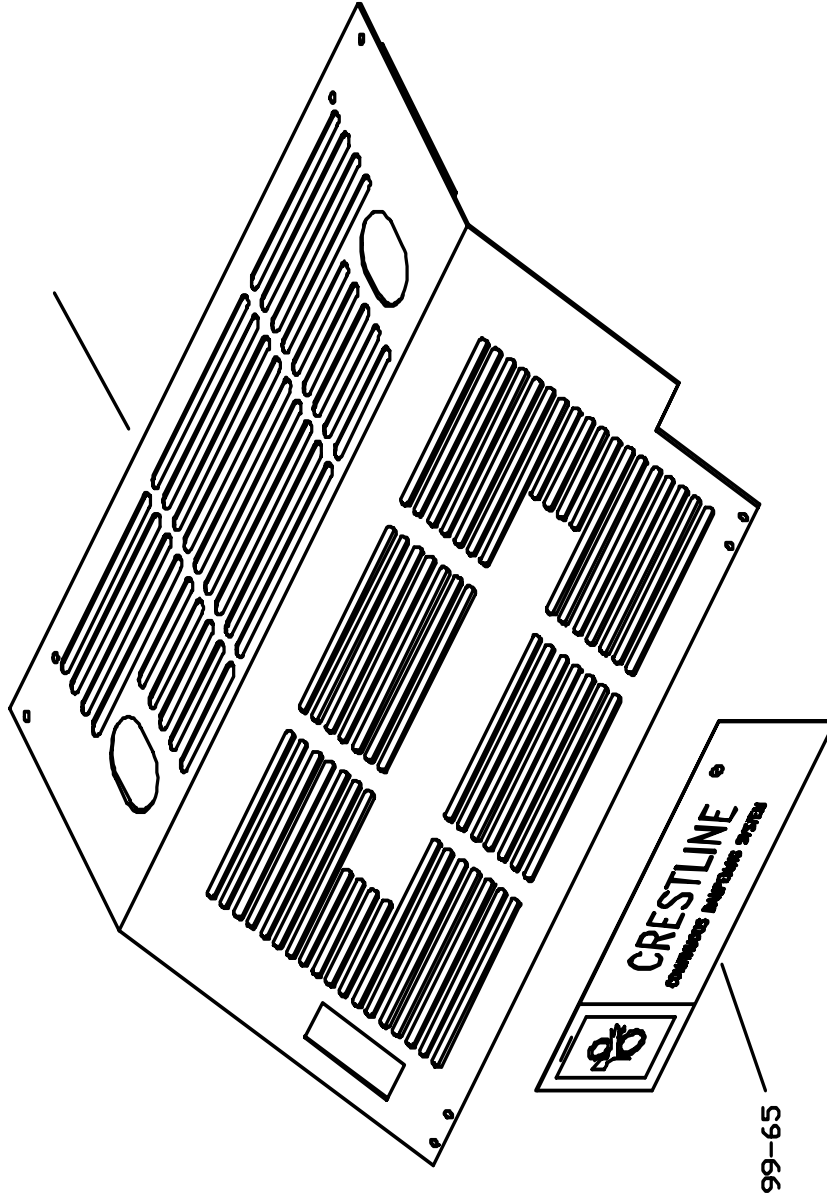
	Daily	Weekly	Bi-Weekly	Monthly
Wash Rollers	✓			
Deglaze Rollers				
Metal Plate Users			✓	
Silvermaster Plate Users			✓	
Electrostatic Plate Users		✓		
Grease Gears				✓
Inspect Ball Bearings				✓
Check Roller Pressures				✓
Check Roller Surfaces				✓

DAMPENER ASSEMBLY
HAMADA RS/VS34II MAIN & DU34II UPPER



34R11C01, 6-83-97

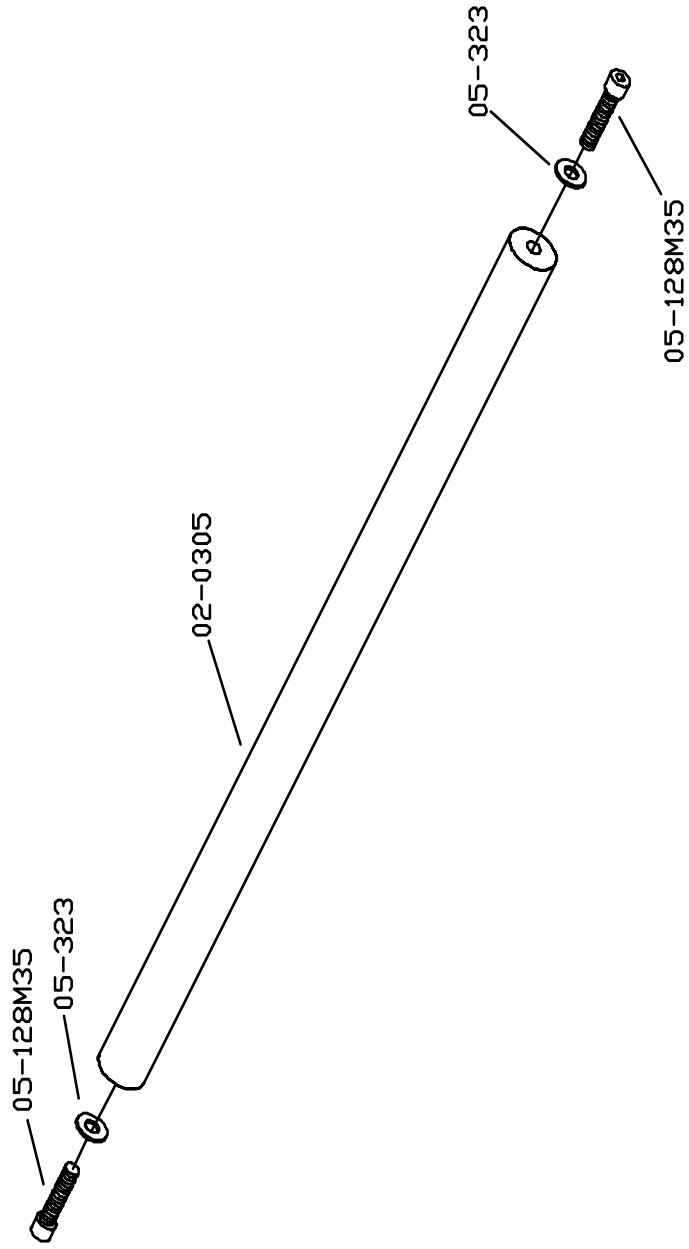
DAMPENER GUARD ASSEMBLY
HAMADA RS/VIS 34 II PARENT



34R1IC02, 3-18-97

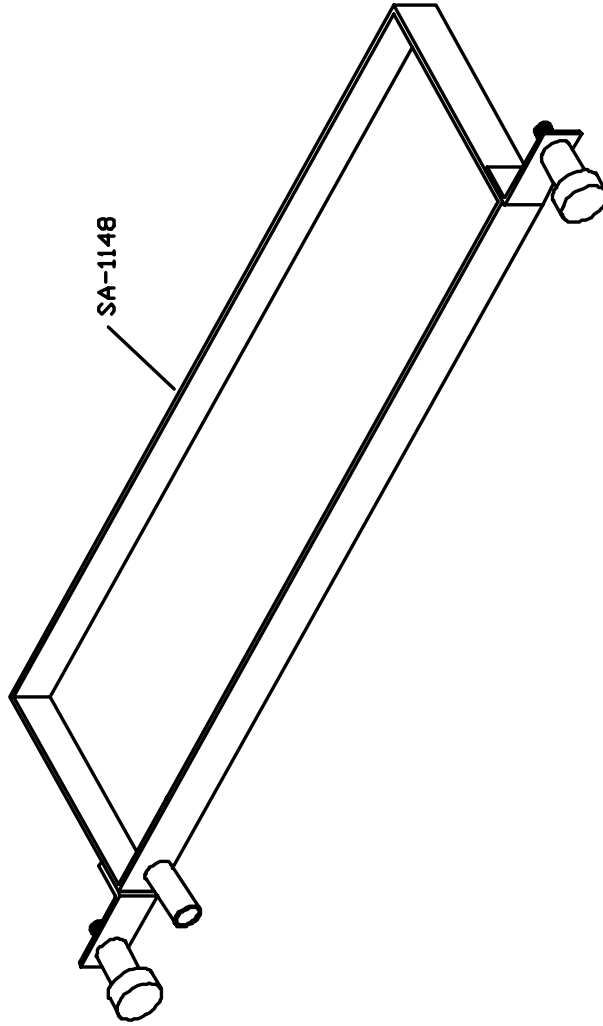
99-65

TIE BAR ASSEMBLY
HAMADA RS/V3 34 II PARENT
HAMADA DU 34 II UPPER



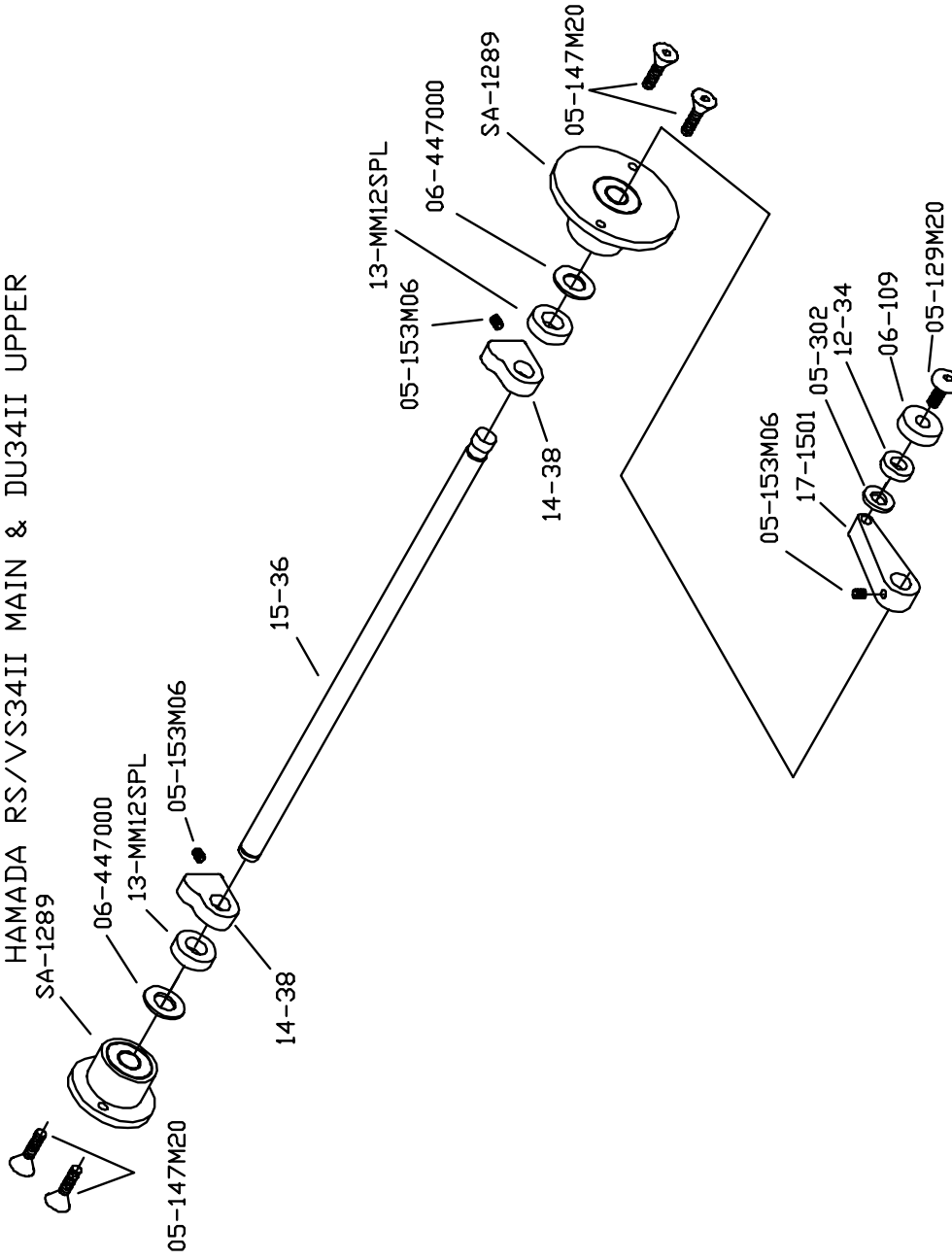
34R1C03, 3-18-97

WATER PAN ASSEMBLY
HAMADA RS/VS34II PARENT
HAMADA DU34II UPPER



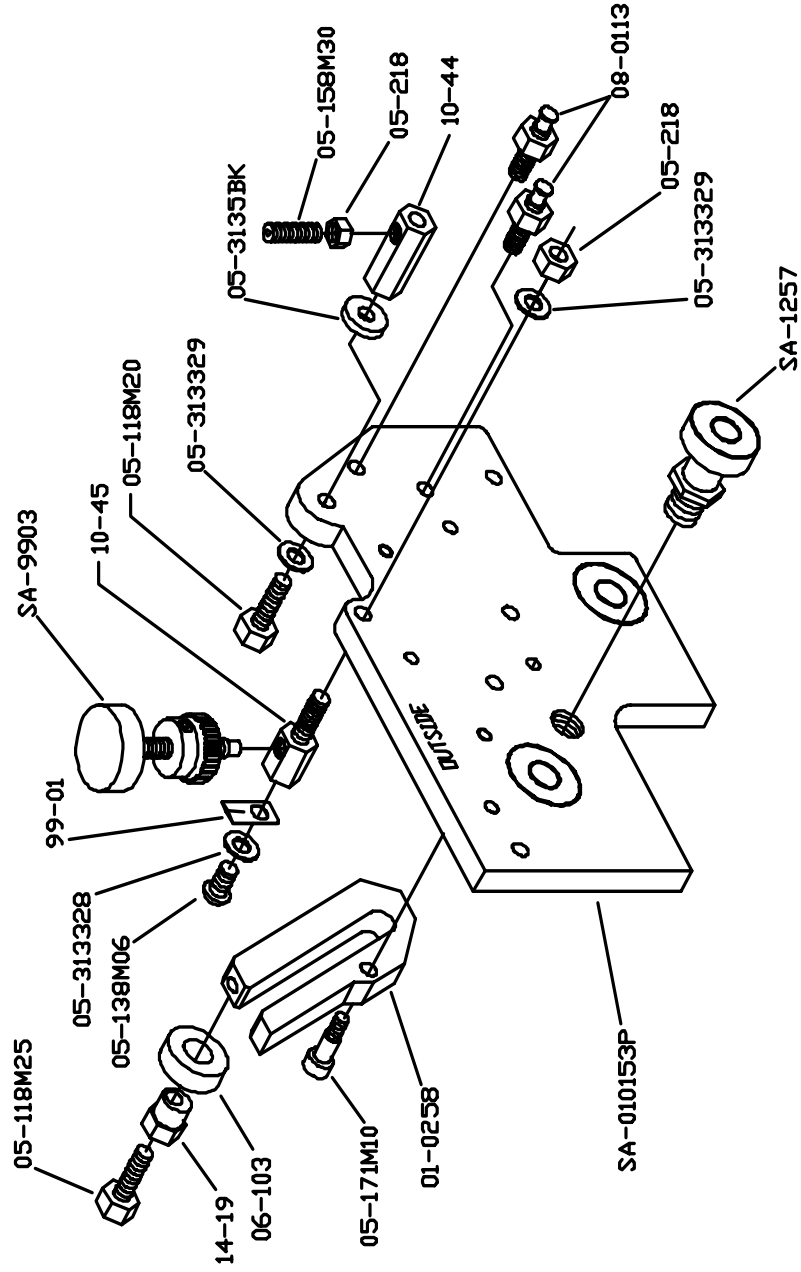
34RUC04, 6-20-97

LIFT SHAFT ASSEMBLY
HAMADA RS/V/S34II MAIN & DU34II UPPER



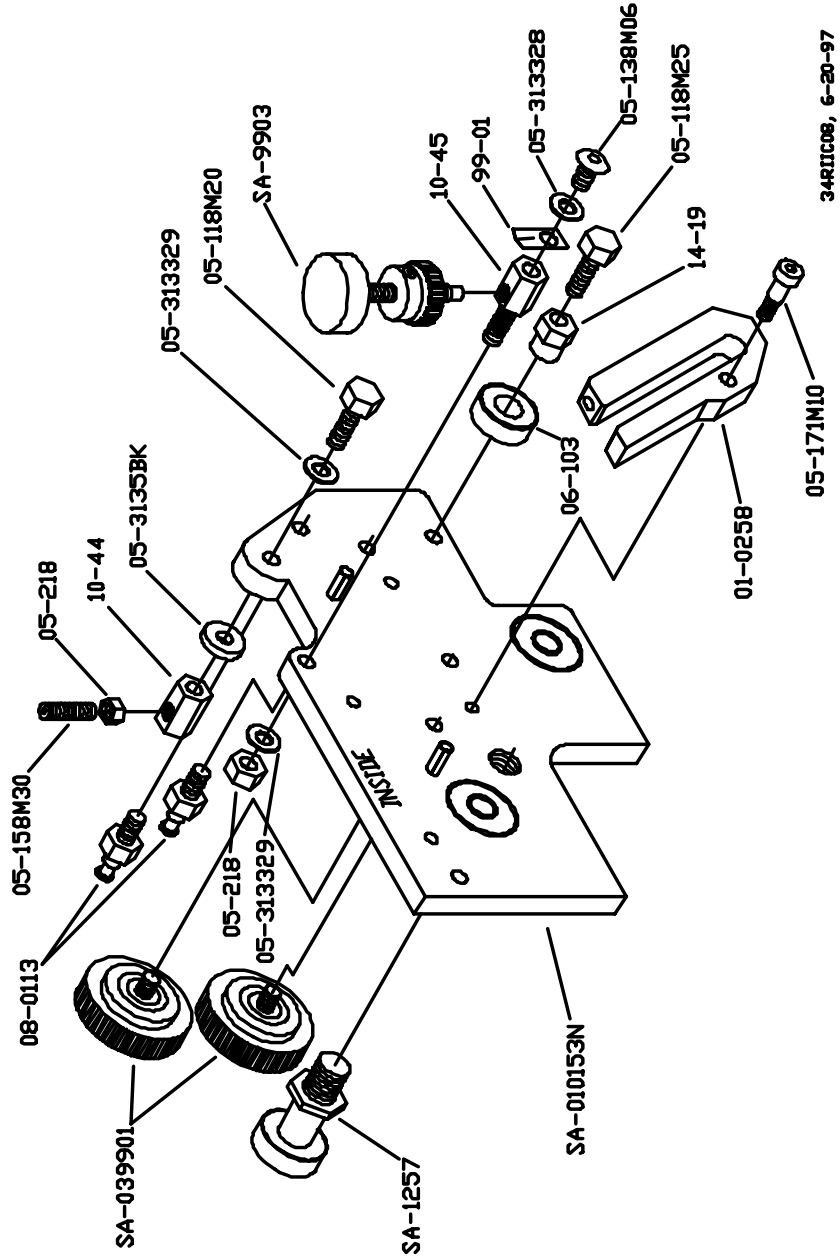
34RIIC05, 1-9-98

SIDE FRAME ASSEMBLY-DPS
HAMADA RS/VS34II PARENT

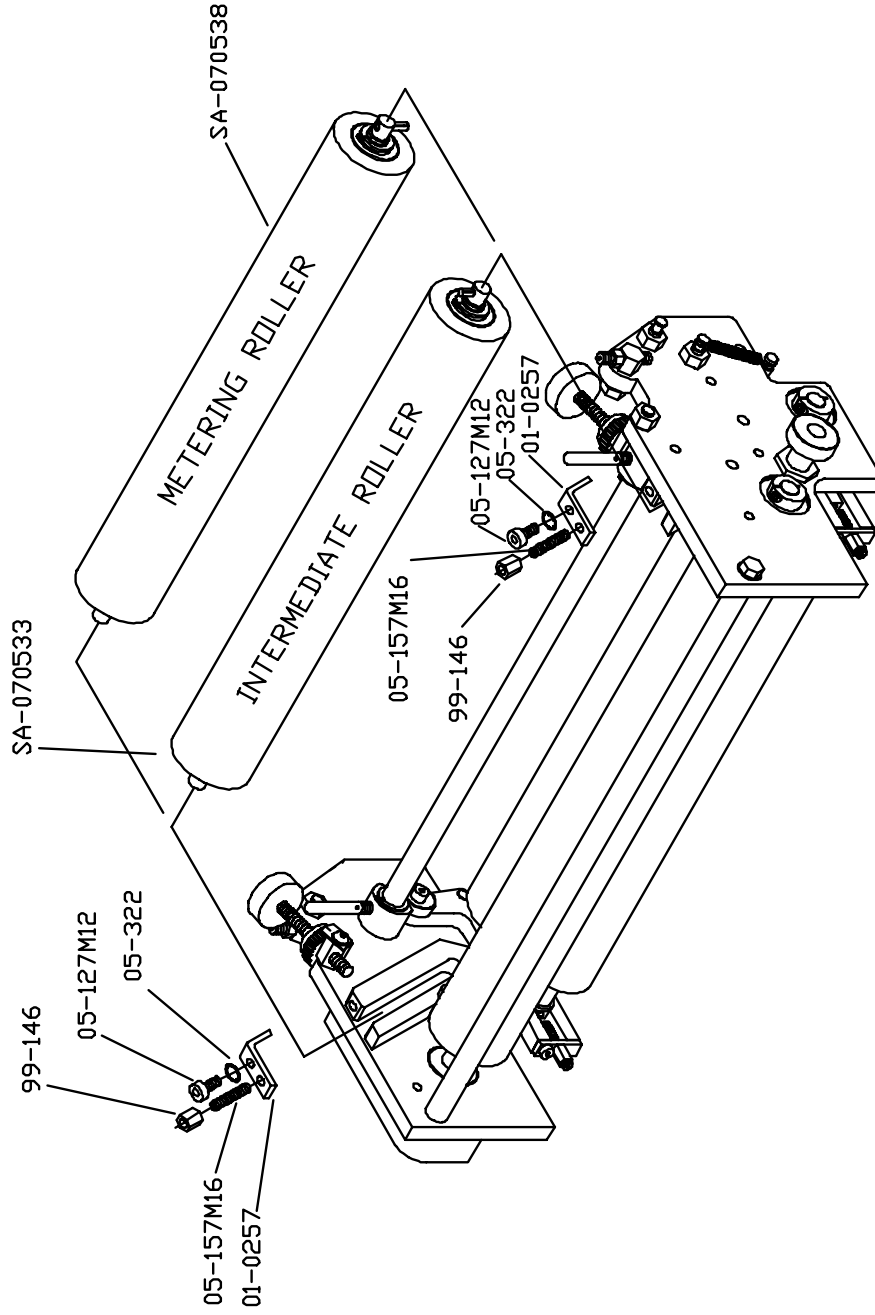


34RUC07, 6-20-97

SIDE FRAME ASSEMBLY-NDPS
HAMADA RS/VS34II PARENT

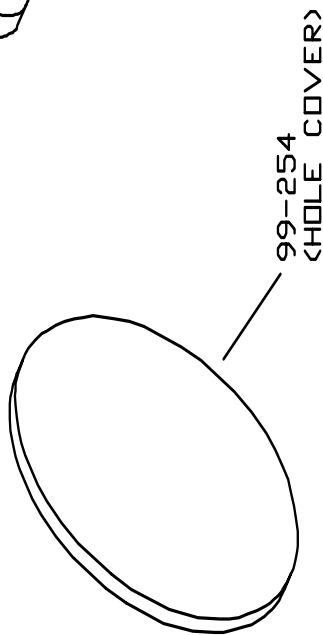


METERING AND INTERMEDIATE ROLLER ASSEMBLY
HAMADA RS/V/S 34 (II) PARENT



34R1C09, 11-10-97

MISCELLANEOUS PARTS
HAMADA RS/V5 34 (II) PARENT





A Pamarco Technologies Inc. Company

11103 Indian Trail Dallas, TX 75229, Phone 972-484-6808, Fax 800-365-6510
E-mail info@accel-us.com, Web Site www.accel-us.com