

Crestline[®] Dampening System

Installation Instructions

Hamada RS34 & VS34 II Satellite Unit



A Pamarco Technologies Inc. Company

X88-105
01/2001
Rev-B
2636

GENERAL INFORMATION

ATTENTION CRESTLINE® DAMPENER OWNER!

Accel Graphic Systems provides parts and service through its authorized distributors and dealers. Therefore, all requests for parts and service should be directed to your local dealer.

The philosophy of Accel Graphic Systems is to continually improve all of its products. Written notices of changes and improvements are sent to Accel Graphic Systems' Dealers.

If the operating characteristics or the appearance of your product differs from those described in this manual, please contact your local Accel Graphic Systems Dealer for updated information and assistance.

Always update your dampener when improvements are made available, especially those related to safety.

YOUR AUTHORIZED CRESTLINE® DEALER IS:

THE SERIAL NUMBER OF YOUR CRESTLINE® DAMPENER(S) IS:

SAFETY INFORMATION

FOR YOUR SAFETY, DO NOT DISENGAGE OR REMOVE ANY GUARDS FROM THE CRESTLINE® DAMPENER. THE DAMPENER CONTAINS SOME INWARD ROTATING ROLLER NIPS THAT CAN CAUSE INJURY IF LEFT UNGUARDED.

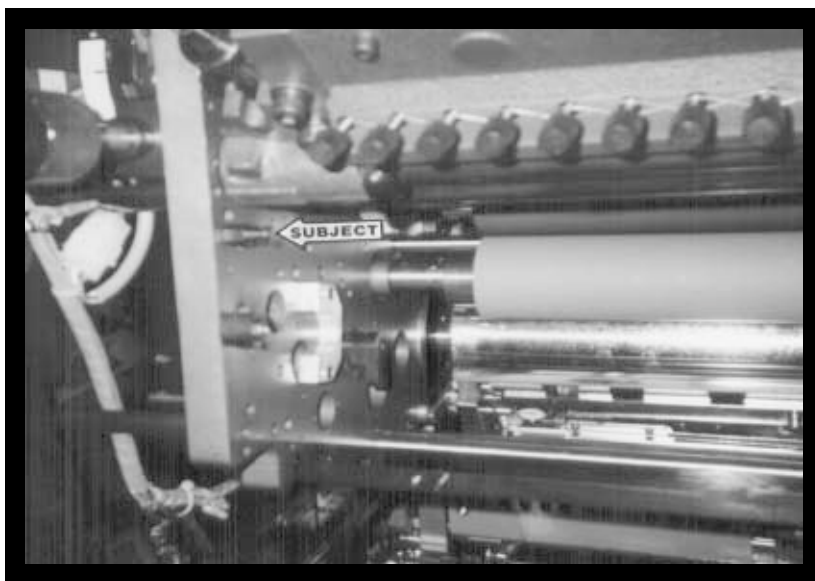
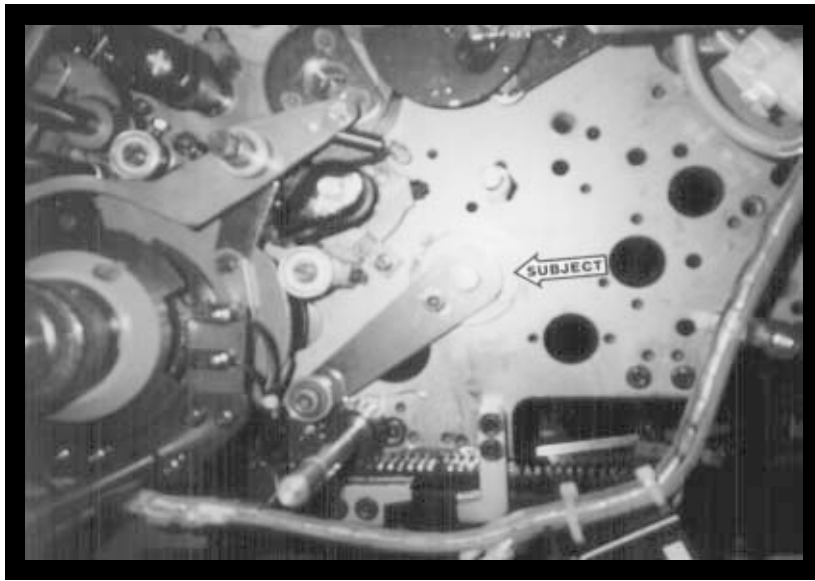
GENERAL INFORMATION

REQUIRED TOOLS

1. Phillips Screwdriver
2. Standard Screwdriver
3. 8 mm Open End
4. 10 mm Open End
5. 13 mm Open End
6. 17 mm Open End
7. 2.5 mm Allen Wrench
8. 3 mm Allen Wrench
9. 4 mm Allen Wrench
10. 5 mm Allen Wrench
11. 2.5 mm Punch
12. 3.0 mm Punch
13. 5.0 mm Punch
14. Hammer
15. Snap Ring Pliers

PRE-INSTALLATION INFORMATION

1. Cut the ties holding the rollers and examine rollers for gouges, scratches, or nicks.
2. Check box and parts board to make sure all pieces are present and nothing has broken in shipping.
3. Check the dampener for parallel. (Cutter bed works best.) If dampener rocks, it needs to be realigned. Loosen tie bar bolts at OPS and align the frames on the flat surface. Re-tighten bolts.



INSTALLATION

1

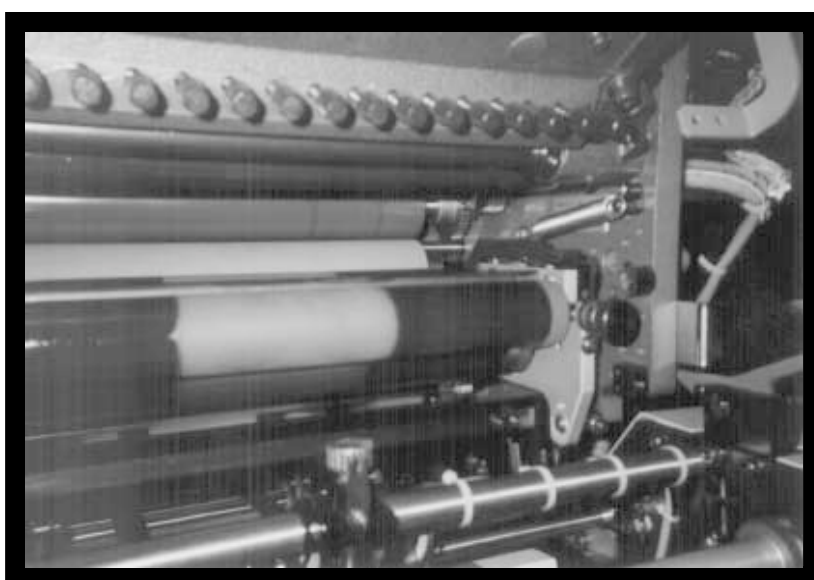
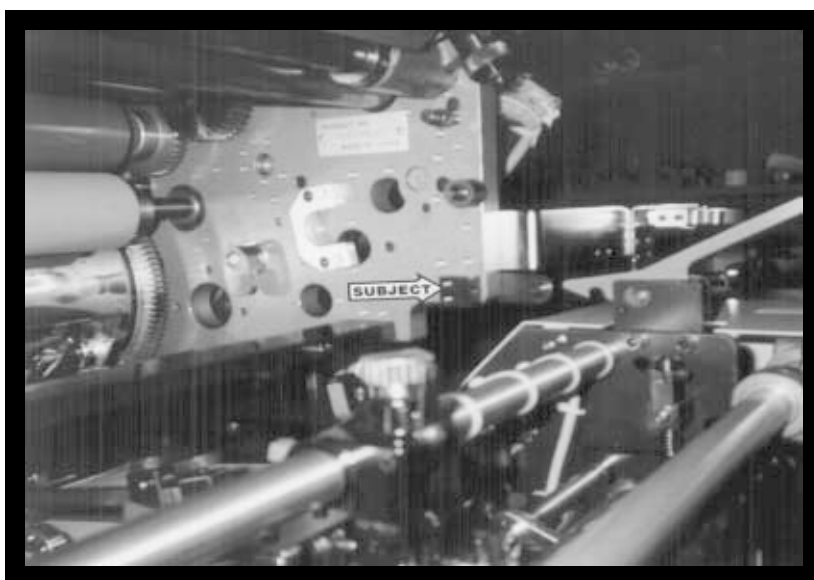
Press new bronze bushing into the hole in press frame as shown. Insert flanged shaft and position so that dimple on end of shaft is facing up. Install inner arm so that set screw aligns with dimple on shaft. Slip outer arm over end of shaft and align center of slot with tapped hole in flange. Secure with M6 x 16 MM cap screw and lock washer. This procedure is followed at both OPS and NOPS. When complete it should look like photo.

2

At OPS and NOPS, install the mounting block and secure with the M5 x 12 MM cap screws in the **lower** set of holes.

3

At OPS and NOPS, install the spring stud.



INSTALLATION

4

At OPS and NOPS, install the water pan mounting blocks using the M5 x 35 MM cap screws. Note that the hole that mounts the water pan is offset on the block. Install each block so that the hole is offset toward the center of the press. At NOPS re-install the lock-out lever that was removed during dis-assembly.

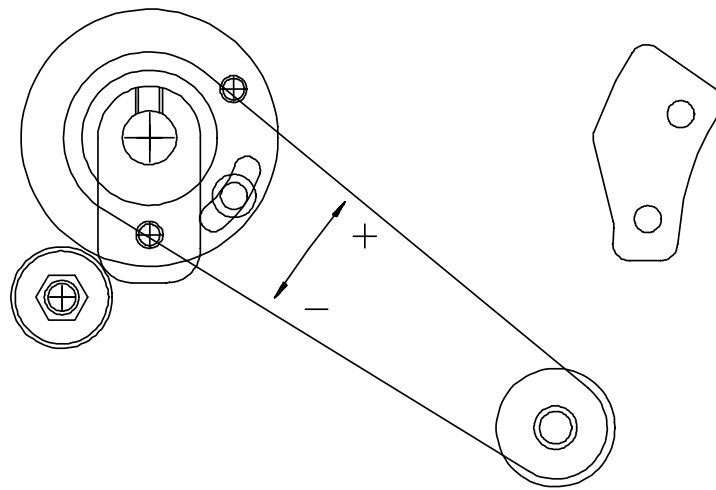
5

At OPS and NOPS, install the spring cable pulley assembly as shown, using the M6 cap screw and retaining washer.

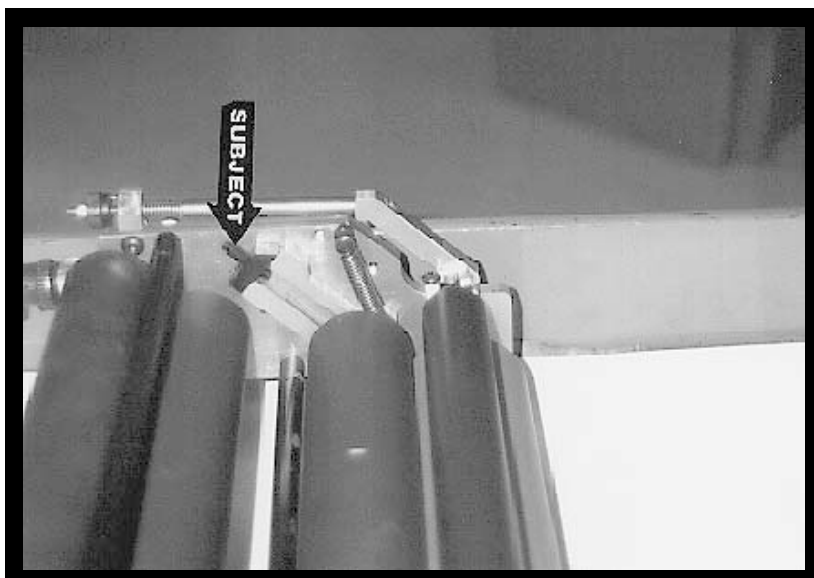
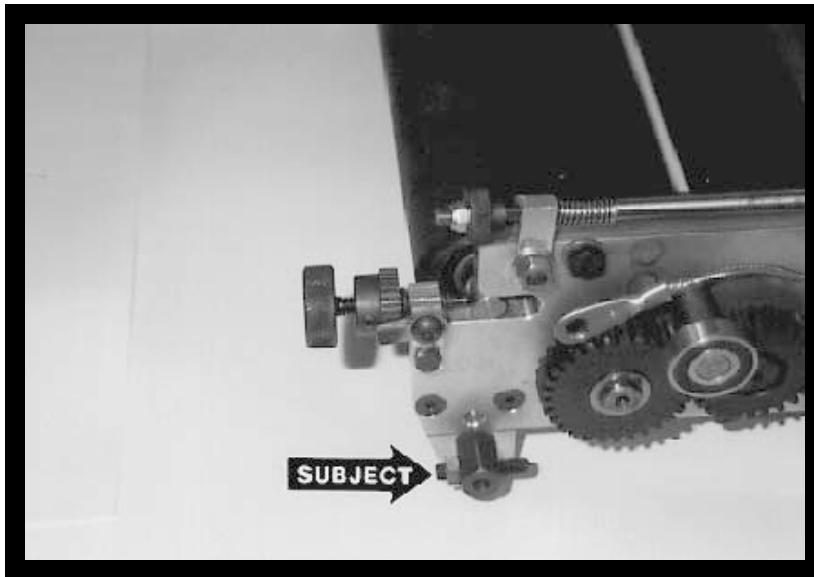
6

Install the dampener assembly into the press. The ball bearings protruding from each side of the dampener fit into the pockets on the mounting blocks. Center the dampener between the frames and secure by installing the bearing caps with the M5 x 12 MM cap screws. After dampener is secure, route the spring cable around the groove in the pulley and install the extension springs between the cable and the spring stud on the press frame.

9



34SIIC04, 3-26-97



FINAL ADJUSTMENTS

1

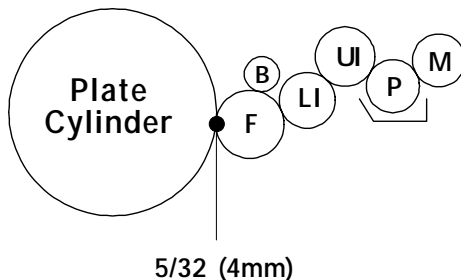
Lift Adjustment

With the press lever in the "0" (OFF) position, check that the dampener form roller is separating from the plate cylinder approximately 1 MM. If adjustment is necessary, place the lever in the "1" (WATER ON) position, loosen the cap screw in the outer arm, and reposition the slot in the arm relative to the tapped hole in the lift shaft flange. Follow the diagram for guidance. Return the lever to "0" and re-check.

2

Water Form to Plate

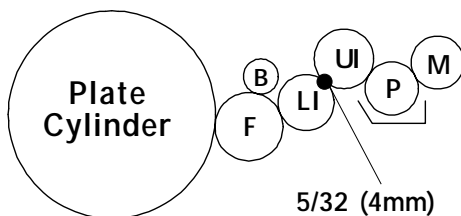
Dab ink on the dampener on a hard roller and turn the press by hand at first to distribute the ink. Slowly jog and run the press until the ink is distributed evenly on all the dampener rollers. Drop the water form roller to the plate and check the stripe. It should be $5/32$ " (4mm). Adjust the stripe using the stop screws on the dampener frame (subject arrow). **Turning the screw in decreases the stripe.** Lock in place using lock nut.



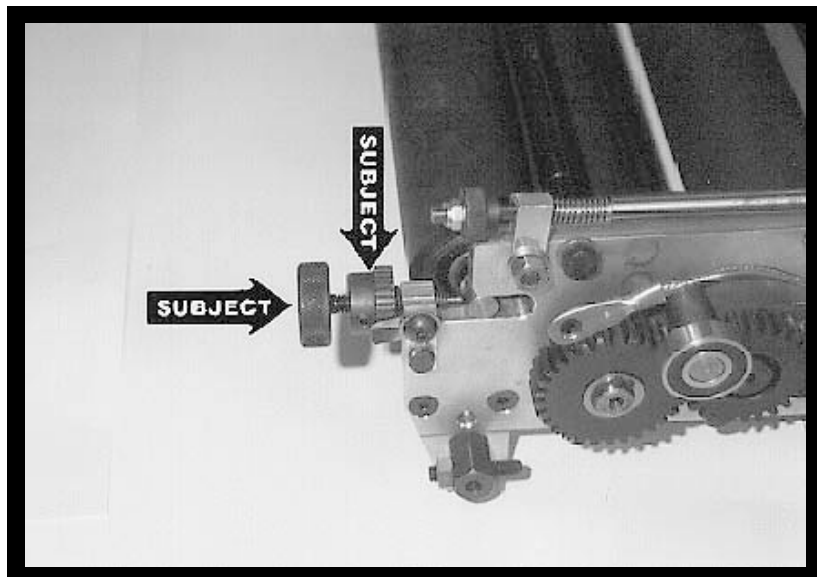
3

Upper Intermediate to Lower Intermediate

Check the stripe between the upper intermediate & lower intermediate rollers by dropping the water form to the plate and rotating the press backwards (Clutches prevent dampener from turning backwards with the water form off the plate. Dropping the form to the plate allows the ink to drive the unit backwards.)



Stripe should be $5/32$ " (4mm). Adjust by turning the screw on top of the hanger (subject arrow). **Turning the screw down increases the stripe.** Tighten lock nut when finished.



FINAL ADJUSTMENTS

4

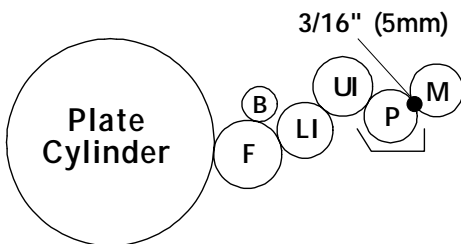
Upper Intermediate to Pan

This pressure is set automatically when setting the intermediate to form in step 3.

5

Metering to Pan

Jog the press forward and observe the stripe on the pan roller. It should be $\frac{3}{16}$ " (4.5mm - 5mm). **Turn the knurled metering knobs (left subject arrow) clockwise to increase the stripe.**

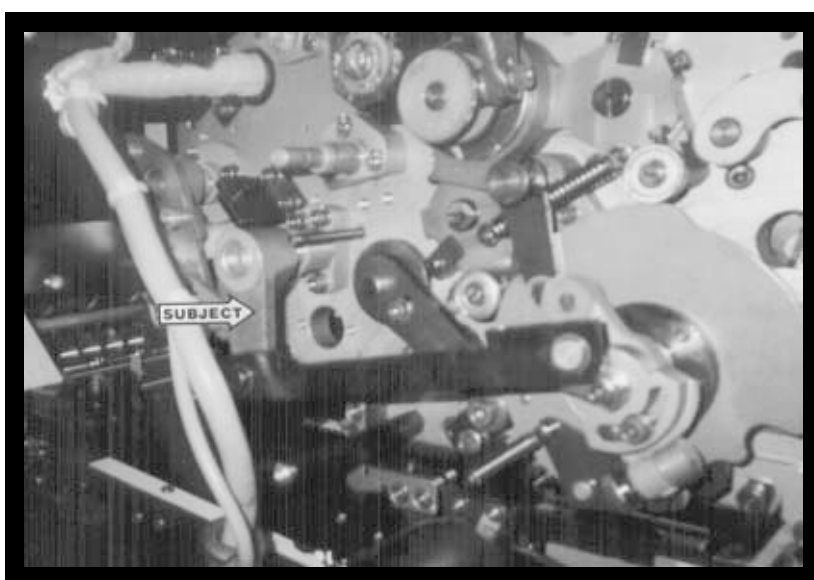
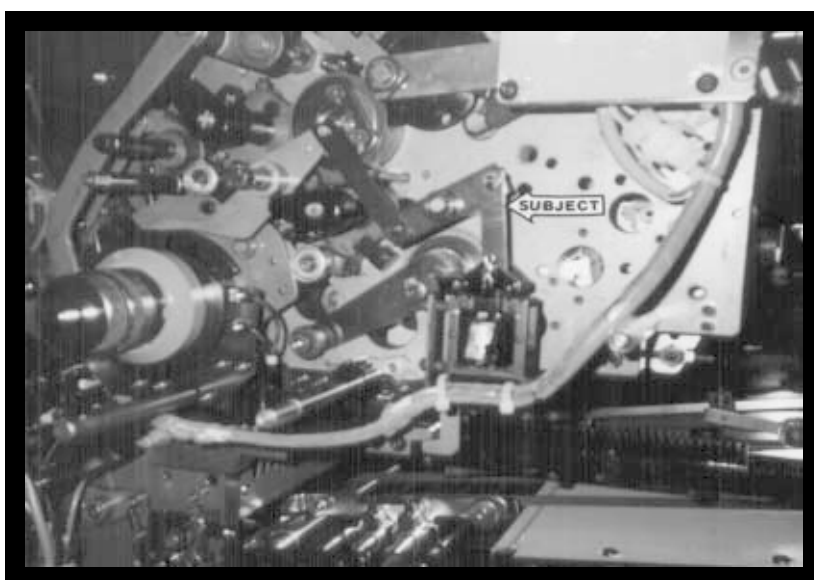


When the proper stripe has been obtained, spin the ratchet gears (right hand subject arrow) down until they bottom out on the stud and secure the ratchet gear to the knurled knobs with the set screws.

6

Bridge to Water Form

Pressure between the bridge roller and water form is spring loaded and preset at factory.



FINAL ADJUSTMENTS

7

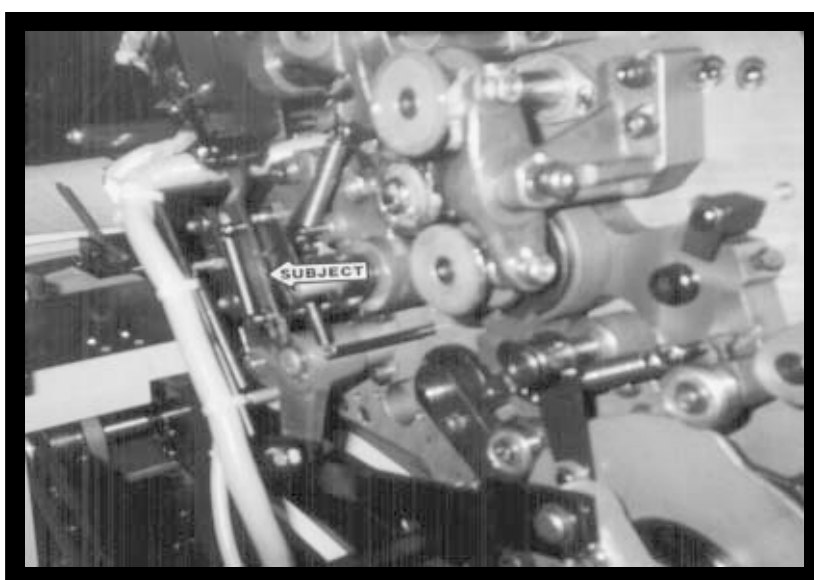
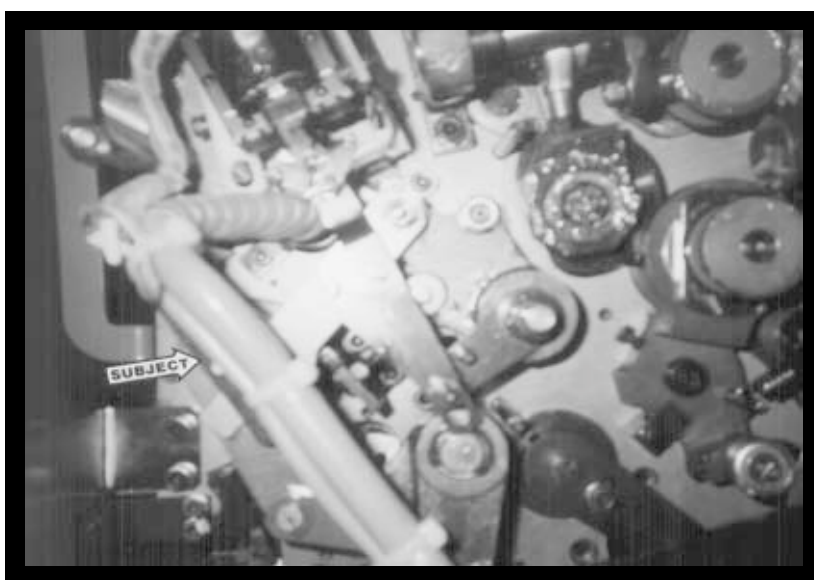
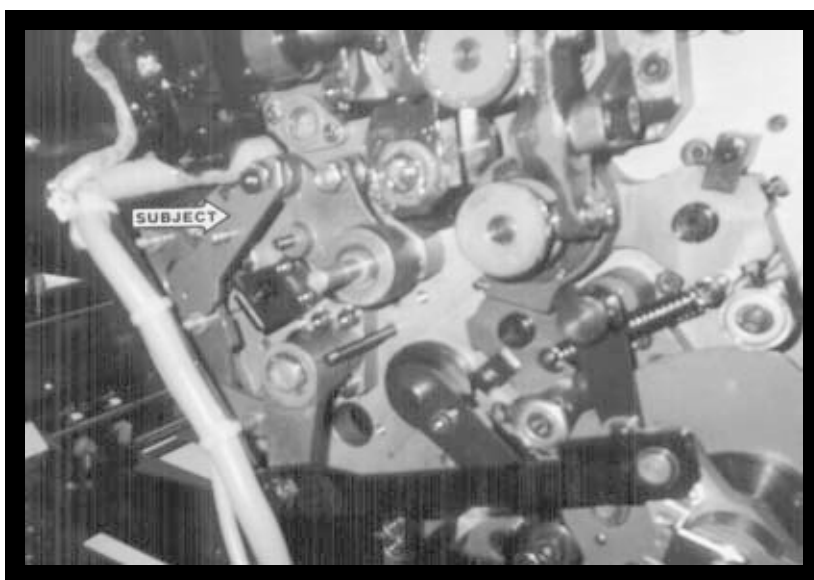
Adjust water level in pan by raising or lowering the original water bottle mechanism.

8

At OPS reinstall the solenoid, link and retainers.

9

At NOPS reinstall the impression lever mechanism. Be sure that the oil holes are facing up. Retain the large center arm with snap ring. Tighten the set screw to the right on the long link. Reinstall the washer and counter sunk screw to the left.




10

Reinstall the impression selector mechanism and retain with the snap ring that was removed.

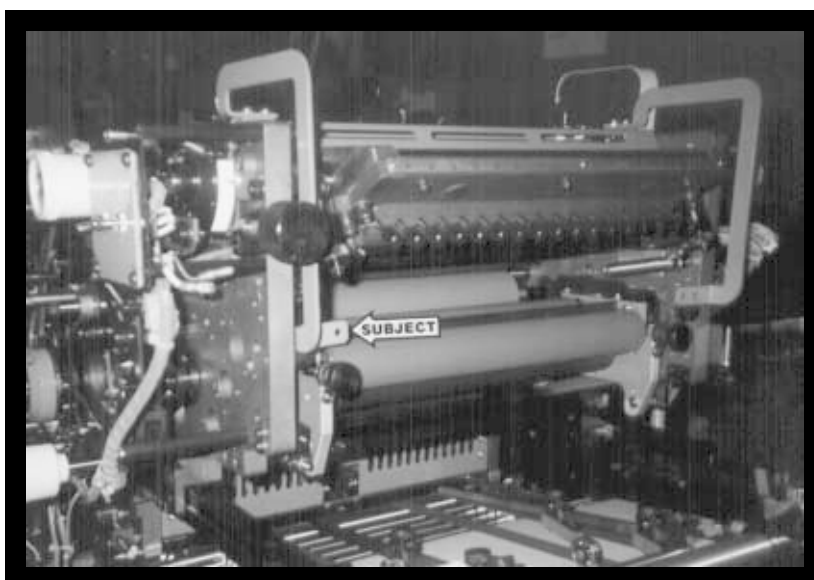
11

Reinstall the front cover plate for the impression lever selector. Check for proper movement in selector arm.

12

Reinstall small solenoid linkage and reattach to solenoid. Reinstall 4 springs that were removed during disassembly.

17





13

Install new dampener guard using original hardware.

14

Reinstall the dampener drip tray.

19

BASIC OPERATION

START OF DAY

- A. Make sure all the rollers are in place.
- B. Spin knurled knobs until the ratchet stops.
- C. Mount plate to cylinder. Wipe down all plates before running. Pre-ink the Crestline® dampener before running the plates with an extremely light coverage of ink by *engaging the bridge roller*.
Bridge roller engages by pulling back and up on the bridge roller bracket to allow the roller to move toward the inker. To disengage, pull back and then down until the bracket notch rest on the shoulder bolt.
- D. Place water bottle in bracket.

NOTE: Accel recommends using the proper fountain solution for the plate material being run on the press. A good acid/gum etch should be used with metal plates.

RUNNING DURING THE DAY

- A. In general, the Crestline® should not have to be adjusted from job to job. The form roller setting should never be changed unless it has deviated from the factory specification of 5/32" to the plate.
- B. Adjustments to the amount of water fed to the plate are made by the knurled knobs that apply pressure to the metering roller. The dampener has been set up for minimum water. To increase the water to the plate, turn the knurled knobs counter clockwise 1 or 2 clicks at a time. This opens the gap between the metering and pan rollers and allows more water to the plate.
- C. In general, more water will only be required when going from a metal plate to an electrostatic or Silvermaster type plate.

CLEANING & MAINTENANCE

WASH UPS DURING THE DAY

1. Remove bottle and drain the excess water from the pan.
2. Mount a metal plate to the press.
3. Turn on the press and squirt a small amount of press wash on the ink rollers.
4. Engage the bridge roller by rotating the levers at the OPS & NOPS towards the feed end of the press, dropping the bridge onto the ink form roller.
5. Use wash up attachment as normal. When the press is clean disengage bridge roller by pulling back on the levers until bearing on bridge roller drops into detent.
6. Remove water pan and clean any solution left in it.
7. Be sure to wipe excess clean up solution from the ends of the dampener metering and pan rollers.

END OF THE DAY

1. Wash up press. Pay close attention to cleaning the ends of the pan and metering rollers that extend past the form rollers.
2. Spin the knurled knobs up until the metering roller can be removed.
3. Remove metering roller and wipe down thoroughly to remove any excess wash that may be on the roller.

CLEANING & MAINTENANCE

DEGLAZING THE DAMPENER

Periodic deglazing of water-soluble contaminants will be necessary with the Crestline®. Typically, once every 2-3 weeks will be sufficient, unless you are running electrostatic plates on a daily basis whereas deglazing should be performed weekly. A 50/50 solution of household ammonia and hot water can be used for deglazing purposes. If you prefer a commercially available deglazer, avoid those containing pumice or gritty substances. Always follow deglazing with straight water and then roller wash. Accel offers a product called **COMPOUND X** that we recommend for deglazing our system. Contact your dealer or Accel for more information.

OILING AND GREASING THE DAMPENER

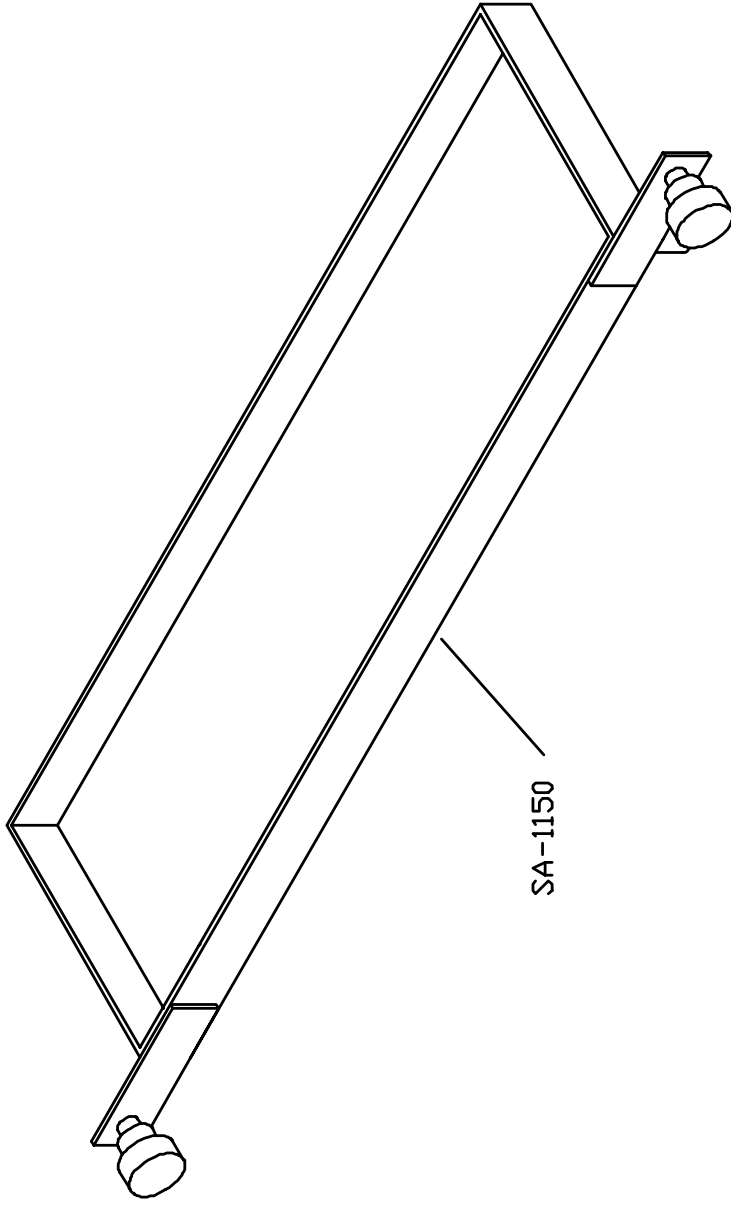
- A. Place a small amount of grease on the gears once a month.
- B. Inject grease into the oscillator grease fitting once a month.

CLEANING & MAINTENANCE

CRESTLINE® CLEANING & MAINTENANCE CHART

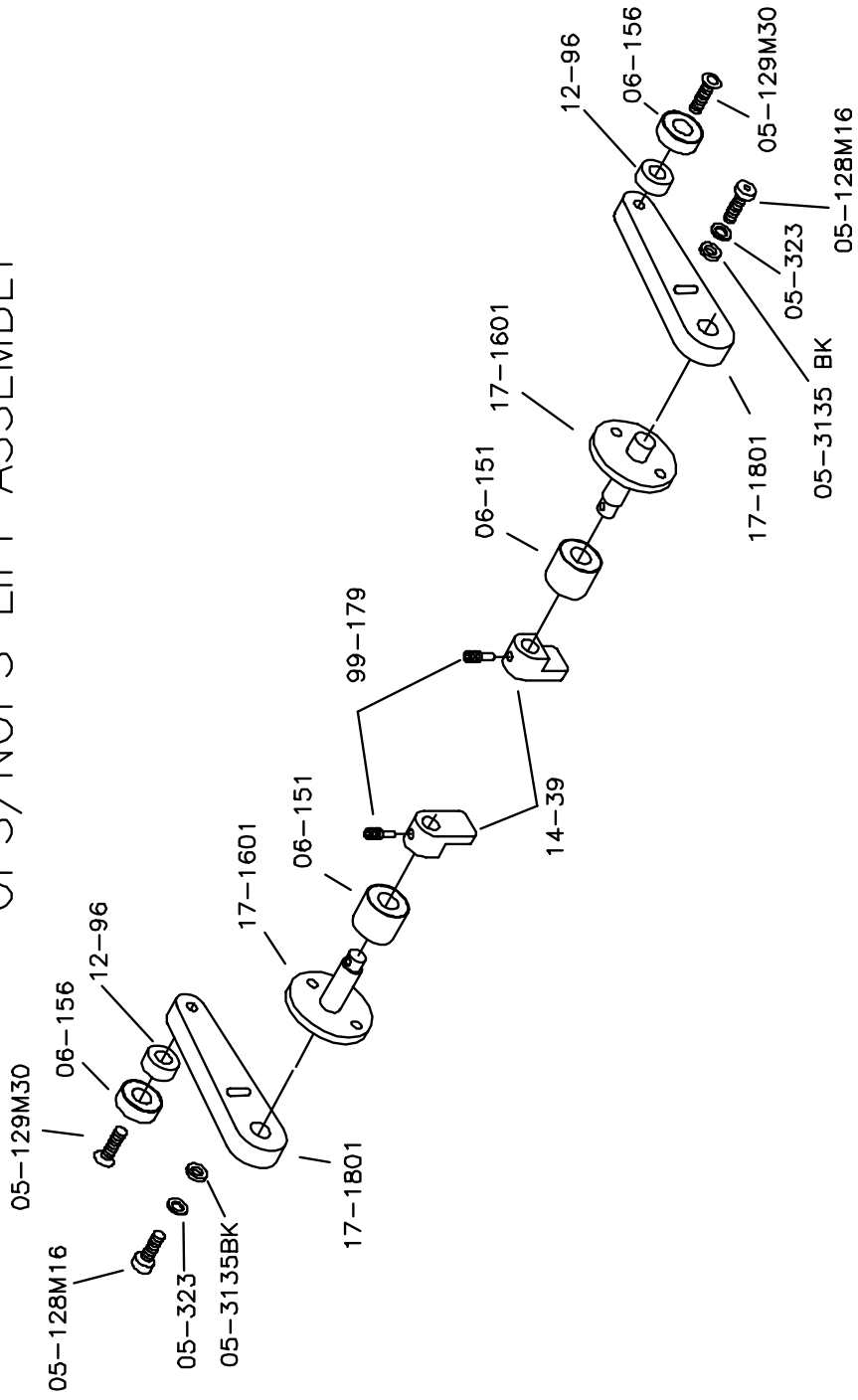
	Daily	Weekly	Bi-Weekly	Monthly
Wash Rollers	✓			
Deglaze Rollers				
Metal Plate Users			✓	
Silvermaster Plate Users			✓	
Electrostatic Plate Users		✓		
Grease Gears				✓
Inspect Ball Bearings				✓
Check Roller Pressures				✓
Check Roller Surfaces				✓

WATER PAN ASSEMBLY
HAMADA RS/VS34II SATELLITE



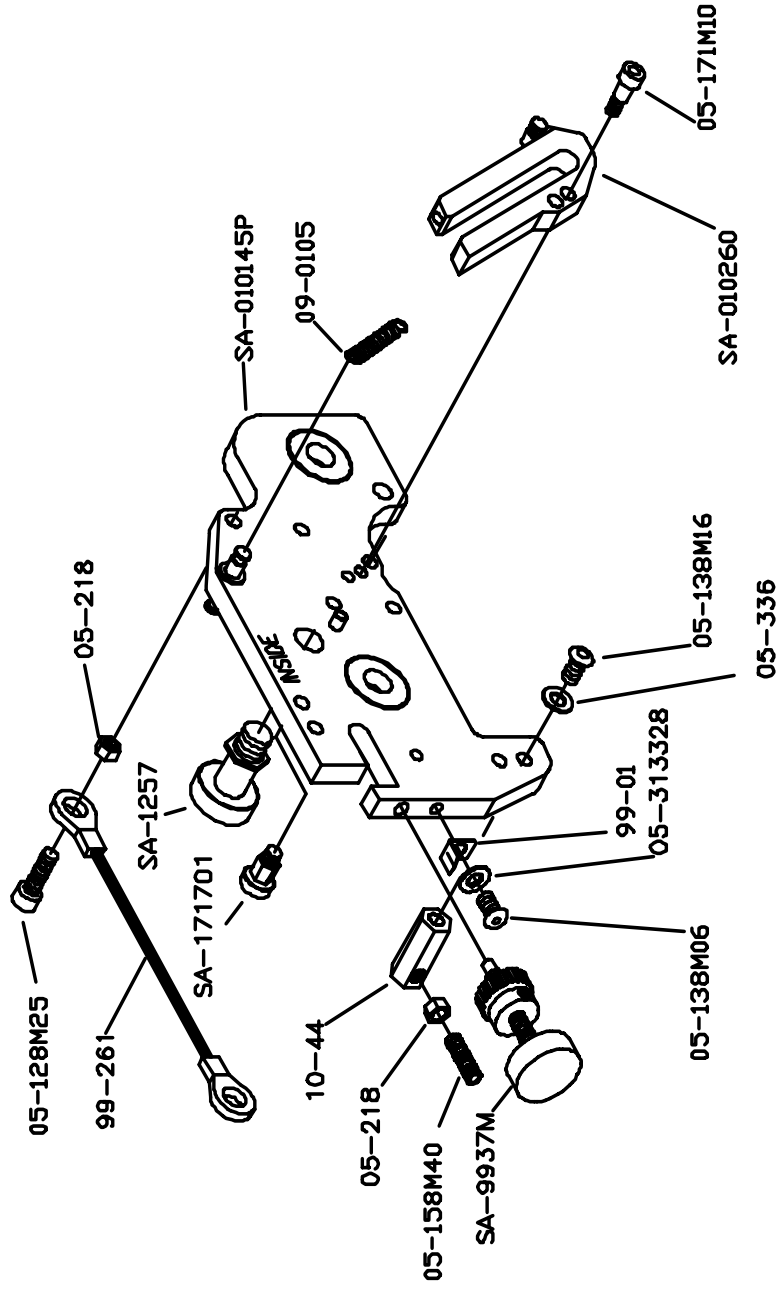
34SIIC01, 3-24-97

HAMADA RS/VS 34 II SATELLITE OPS/NOPS LIFT ASSEMBLY



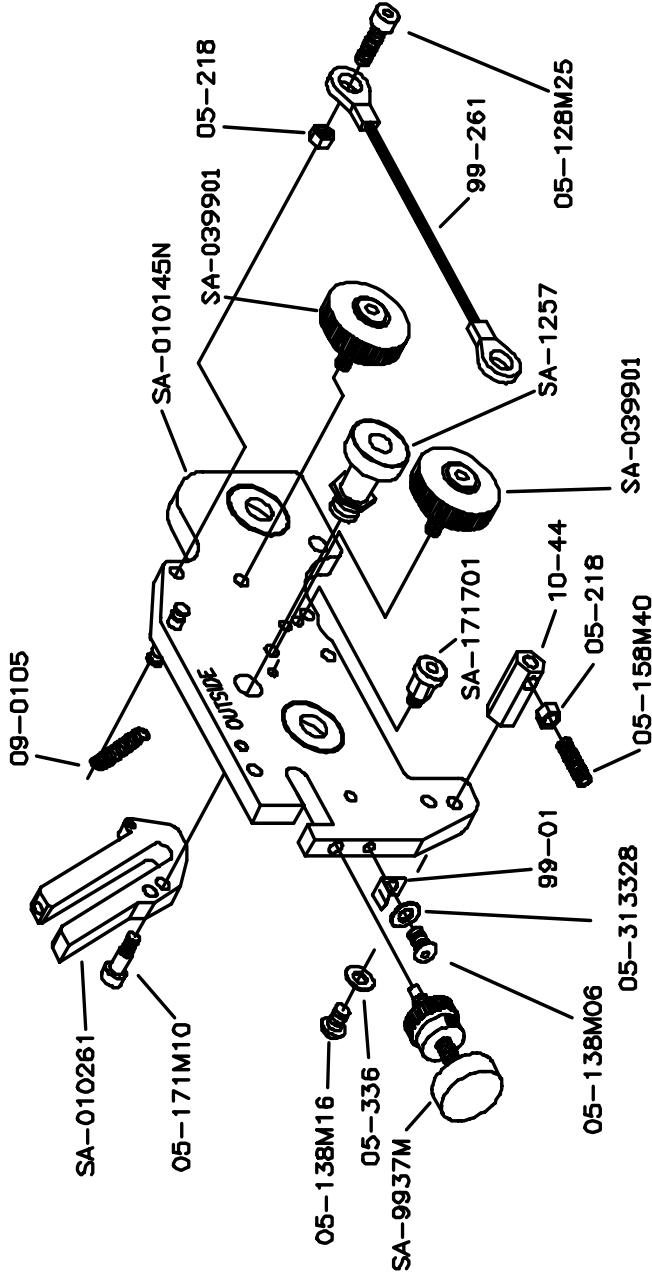
34SII02, 5-8-98

SIDE FRAME ASSEMBLY-OPS
HAMADA RS/VS34II SATELLITE



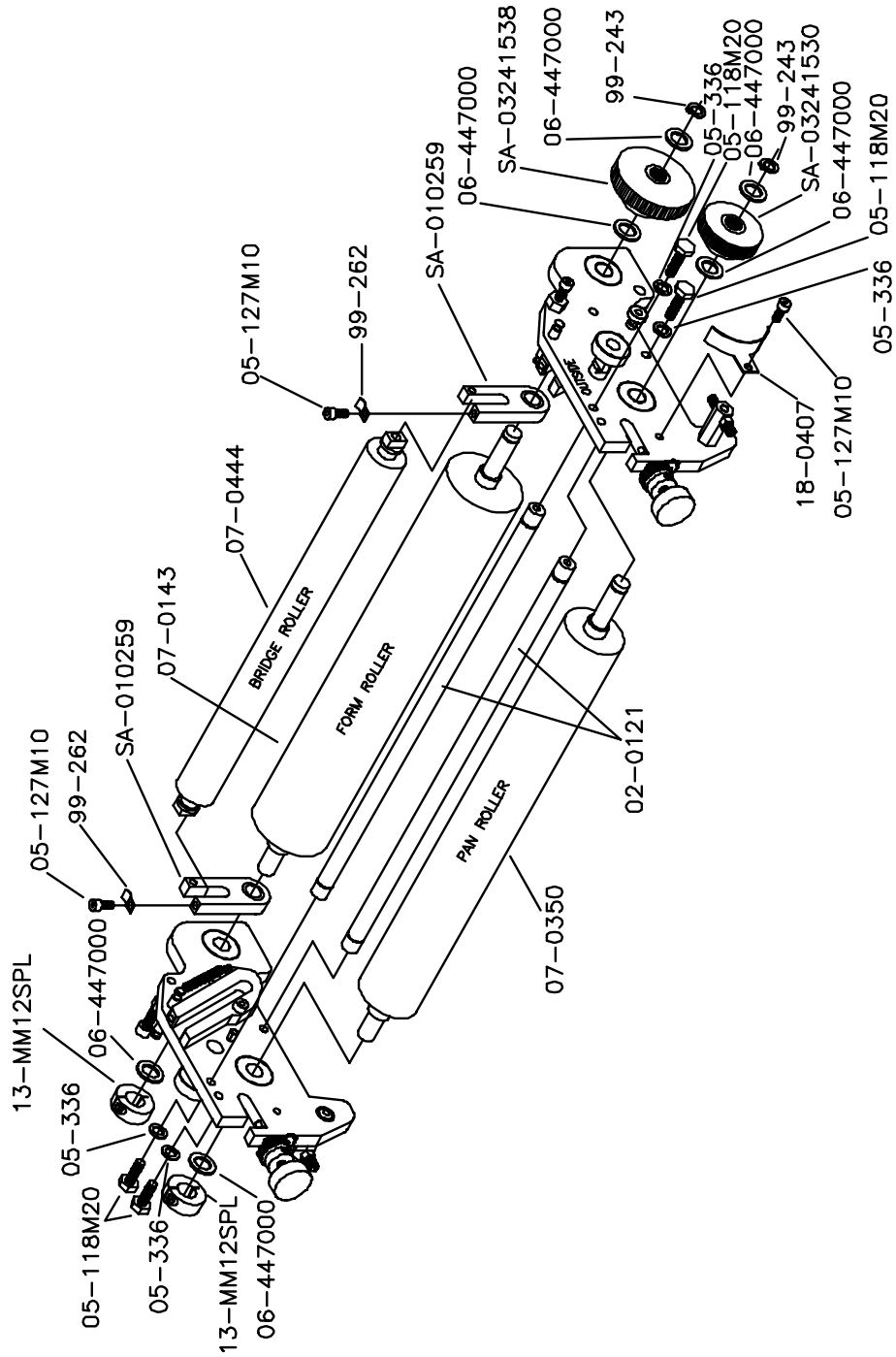
34SII005, 8-14-97

SIDE FRAME ASSEMBLY-NOPS
HAMADA RS/VS43II SATELLITE



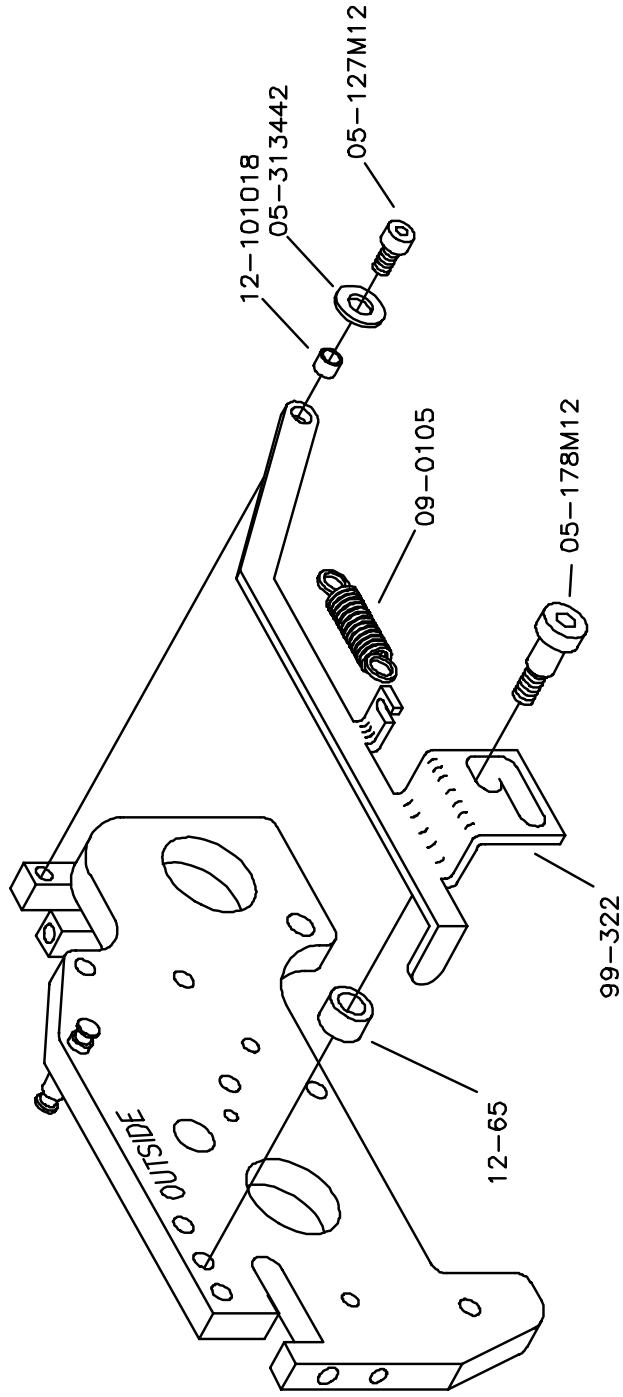
34SIC08, 8-14-97

DAMPENER ASSEMBLY
HAMADA RS/VS34II SATELLITE



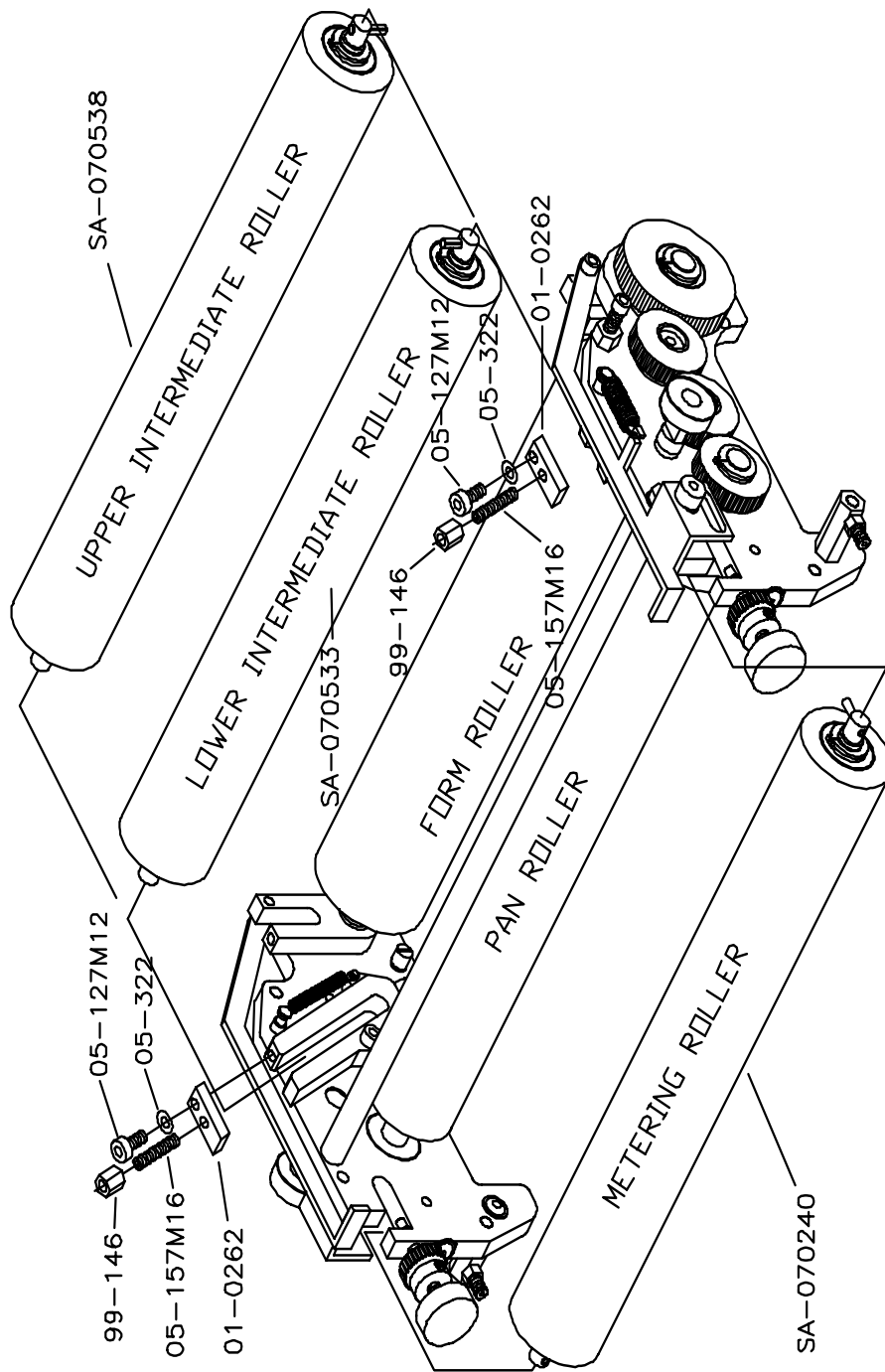
34SIIIC07, 6-4-97

BRIDGE ROLLER ACTIVATION ASSEMBLY
HAMADA RS/VS34II SATELLITE



34S11C09, 12-12-97

INTERMEDIATE AND METERING ROLLER ASSEMBLIES
HAMADA RS/VS34II SATELLITE



34SIIIC10, 11-10-97



A Pamarco Technologies Inc. Company

11103 Indian Trail, Dallas, TX 75229 Phone 972-484-6808, Fax 800-365-6510
E-mail info@accel-us.com, Web Site www.accel-us.com