

Crestline[®] Altra Series[™] Dampening System

Operation Instructions

Hamada 234



A Pamarco Technologies Inc. Company

GENERAL INFORMATION

**ATTENTION
CRESTLINE®
ALTRA SERIES™
DAMPENER
OWNER!**

Accel Graphic Systems provides parts and service through its authorized distributors and dealers. Therefore, all requests for parts and service should be directed to your local dealer.

The philosophy of Accel Graphic Systems is to continually improve all of its products. Written notices of changes and improvements are sent to Accel Graphic Systems' Dealers.

If the operating characteristics or the appearance of your product differs from those described in this manual, please contact your local Accel Graphic Systems Dealer for updated information and assistance.

Always update your dampener when improvements are made available, especially those related to safety.

**YOUR AUTHORIZED CRESTLINE® ALTRA SERIES™
DEALER IS:**

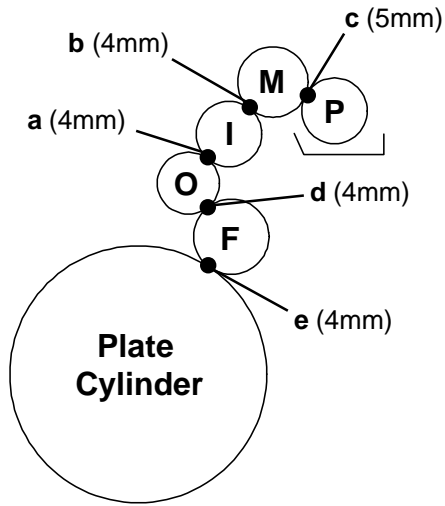
**THE SERIAL NUMBER OF YOUR
CRESTLINE® ALTRA SERIES™ DAMPENER(S) IS:**

**SAFETY
INFORMATION**

FOR YOUR SAFETY, DO NOT DISENGAGE OR REMOVE ANY GUARDS FROM THE CRESTLINE® ALTRA SERIES™ DAMPENER. THE DAMPENER CONTAINS SOME INWARD ROTATING ROLLER NIPS THAT CAN CAUSE INJURY IF LEFT UNGUARDED.

GENERAL INFORMATION

BASIC CONFIGURATION OF CRESTLINE® ALTRA SERIES™



Adjustments
a. Intermediate to Oscillator
b. Metering to Intermediate
c. Metering to Pan
d. Oscillator to Form
e. Form to Plate

Roller Description
P = Pan
M = Metering
I = Intermediate
O = Oscillator
F = Form

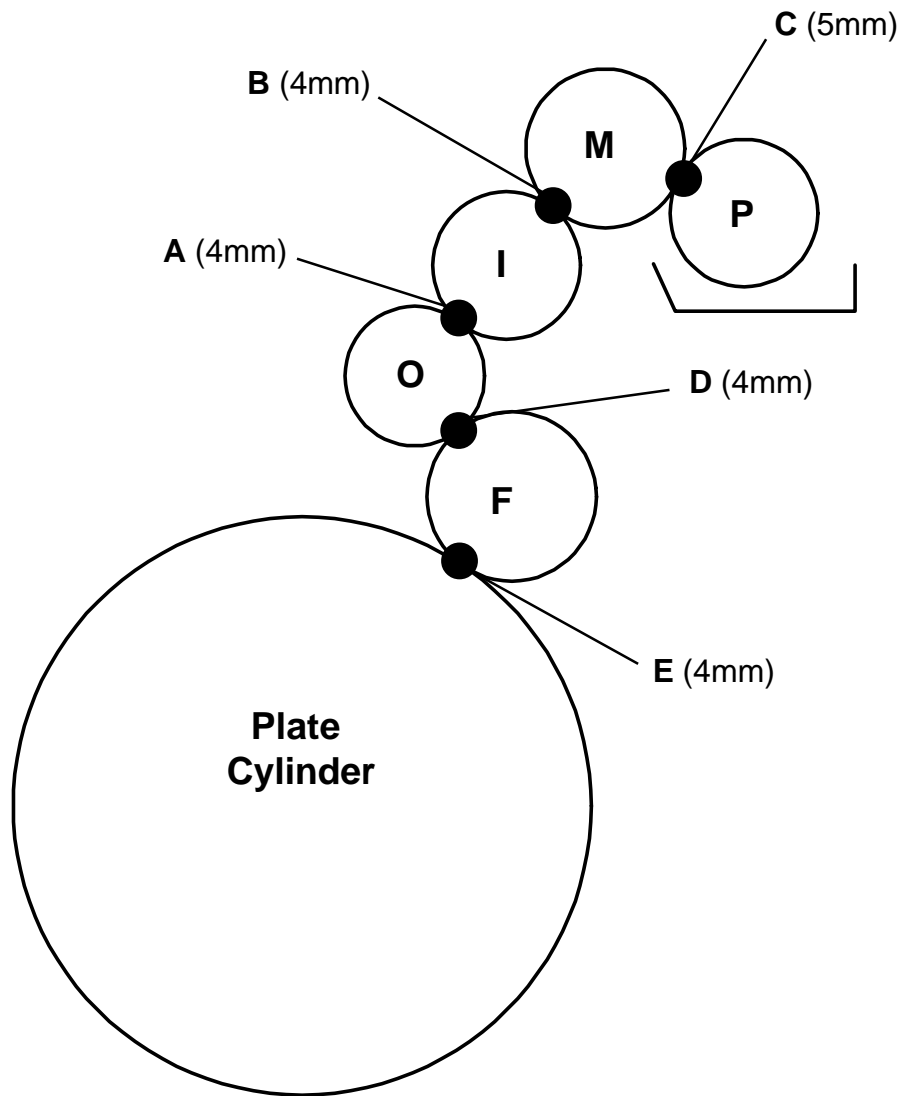
TERMINOLOGY OPS = Operator's Side
NOPS = Non Operator's Side

TECHNICAL ASSISTANCE

For technical assistance, please contact:

ACCEL GRAPHIC SYSTEMS
11103 Indian Trail
Dallas, TX 75229
(972) 484-6808
FAX (800) 365-6510
E-MAIL accel@dallas.net
WEB SITE www.accelgraphicsystems.com

Crestline® Altra Series™ is covered by U.S. Patents Pending



Adjustments

- A. Intermediate to Oscillator
- B. Metering to Intermediate
- C. Metering to Pan
- D. Oscillator to Form
- E. Form to Plate

Roller Description

- P = Pan
- M = Metering
- I = Intermediate
- O = Oscillator
- F = Form

FINAL ADJUSTMENTS

1

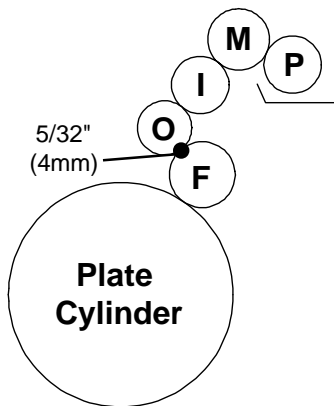
INK UP THE DAMPENER

Make sure the dampener is in the "OFF" position. Apply a small amount of ink on the dampener oscillator roller only. Turn on the press and run for 30-40 seconds and allow the ink to mill. Only the oscillator and form roller will ink up at this time.

2

OSCILLATOR TO FORM ROLLER PRESSURE

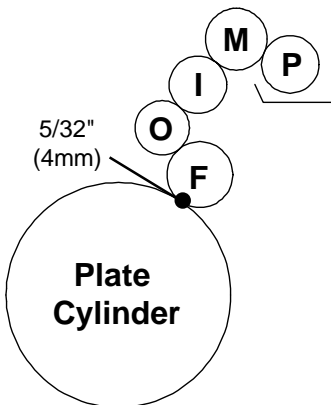
After the press sits still for 15-20 seconds, jog the press forward slightly while looking at the form roller. A stripe or bead line should appear on the form roller which was created by the oscillator. This stripe should be $5/32$ " (4mm) wide. Refer to the original Hamada operation manual for this stripe adjustment.



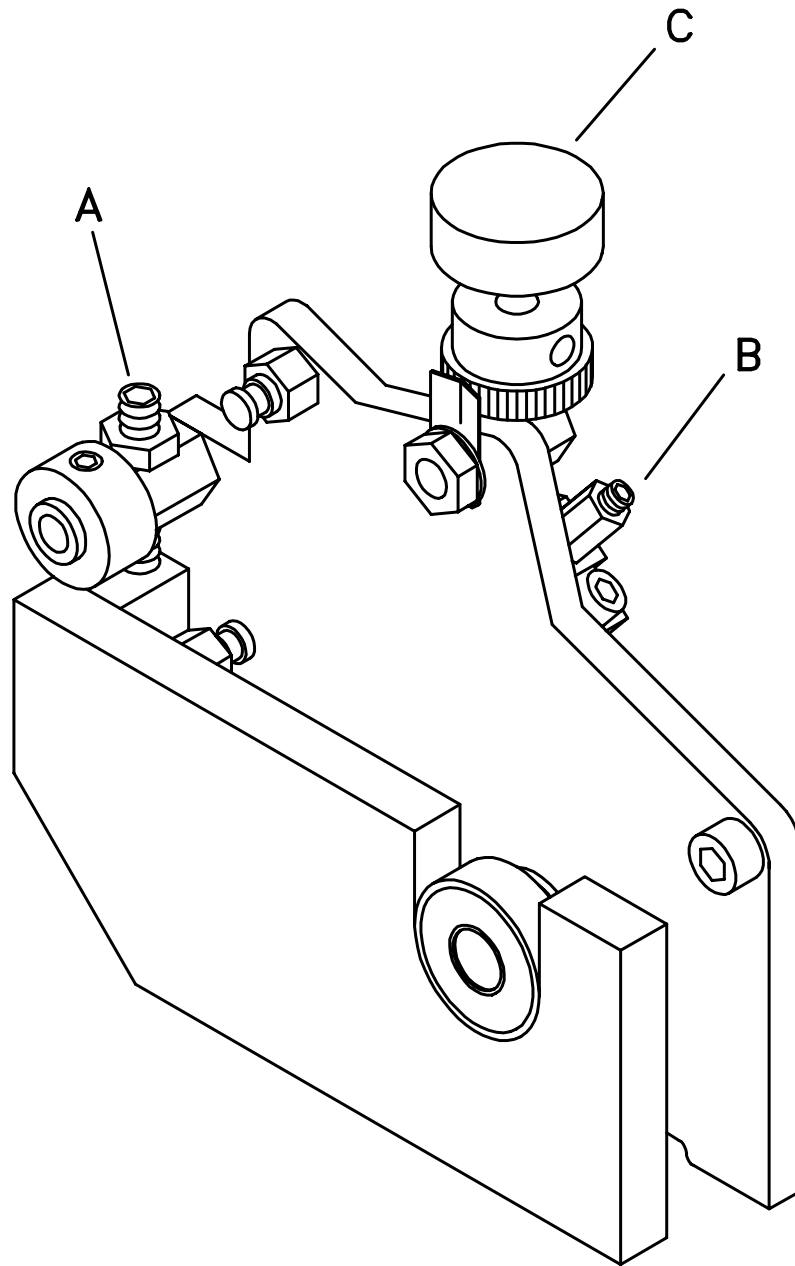
3

FORM ROLLER TO PLATE CYLINDER PRESSURE

Drop the dampener form roller down to the plate and back "OFF" again. This will leave a stripe on the plate which should be $5/32$ " (4mm). Refer to the original Hamada operation manual for this stripe adjustment.

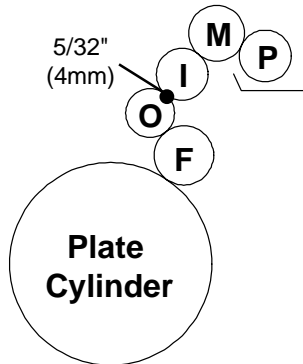


5



FINAL ADJUSTMENTS

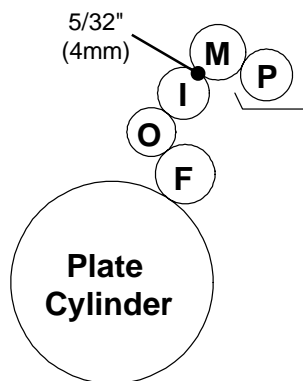
4



INTERMEDIATE TO OSCILLATOR ROLLER PRESSURE

Drop the dampener down to the plate cylinder and back off. In addition to the form roller contacting the plate, the intermediate roller will drop down and contact the oscillator roller. Turn the intermediate roller around by hand to reveal the stripe which should be $5/32$ " (4mm). This pressure is adjusted by turning the set screw (A) on the dampener frame. Turning the set screws down will decrease the stripe and vice versa. Tighten the lock nut after the proper stripe is obtained.

5

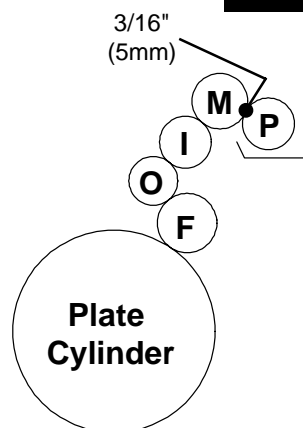


METERING TO INTERMEDIATE PRESSURE

Now you can ink up the entire dampener and run in the ink until it is smooth. The proper pressure between these rollers is $5/32$ " (4mm). Adjustments are made by loosening the lock nut on top of the metering roller hanger and turning the set screw (B) clockwise to increase the stripe and vice versa. Tighten the lock nut once the proper stripe is obtained.

NOTE: In order to observe the stripe, it may be necessary to place the single lever in the "WATER ON" position and jog the press in reverse. You will then be able to observe the stripe on the metering roller.

6



MAXIMUM METERING TO PAN ROLLER PRESSURE

Turn the press on and run for 30-40 seconds to mill in the ink. Stop the press and allow it to sit still for 15-20 seconds. Jog the press forward and observe the stripe on the pan roller. It should be $3/16$ " (5mm). Turn the knurled metering knobs (C) clockwise to increase the stripe and vice versa. When the proper stripe has been obtained, spin the ratchet gears down until they bottom out on the stud and secure the ratchet gear to the knurled knobs with set screws.

7

BASIC OPERATION

- START OF DAY**
- A. Make sure all rollers are in place.
 - B. Spin knurled knobs until the shoulder on the ratchet stops.
 - C. Mount plate to cylinder. Wipe down all plates before running. Pre-ink the Crestline® Altra Series™ dampener before running the plates with an extremely light coverage of ink.
 - D. Adjust circulator flow to water pans.

NOTE: Accel recommends using the proper fountain solution for the plate material being run on the press. A good acid/gum etch should be used with metal plates. Accel offers two fountain concentrates called **FC 1000** (for metal plates) and **MP 1000** (for multipurpose use) that we recommend. Contact your Accel dealer for more information.

-
- RUNNING DURING THE DAY**
- A. In general, the Crestline® Altra Series™ dampener should not have to be adjusted from job to job. The form roller setting should never be changed unless it has deviated from the factory specification of 5/32" (4mm) to the plate.
 - B. Adjustments to the amount of water fed to the plate is made by altering the pan roller pressure. Less pressure equals more water.
 - C. In general, more water will only be required when going from a metal plate to an electrostatic or Silvermaster type plate.

CLEANING & MAINTENANCE

WASH UPS DURING THE DAY

1. Shut the circulator off and drain the excess water from the pan.
2. Mount a metal plate to the press.
3. Turn on the press and squirt a small amount of press wash on the ink rollers.
4. Drop both the dampener and ink forms to the plate. In general, the dampener will pick up enough roller wash off the plate to clean itself.
5. Use wash up attachment as normal. The plate cylinder is being used as a bridge between the dampener and inker. Solution transfers from the dampener to the plate, plate to inker, and inker to wash up attachment.
6. Remove water pan and clean any solution left in it.
7. Be sure to wipe excess clean up solution from the ends of the dampener metering and pan rollers.

END OF THE DAY

1. Wash up dampener. Pay close attention to cleaning the ends of the pan and metering rollers that extend past the form rollers.
2. Spin the knurled knobs up until the metering roller can be removed.
3. Remove metering roller and wipe down thoroughly to remove any excess wash that may be on the roller.

CLEANING & MAINTENANCE

DEGLAZING THE DAMPENER

Periodic deglazing of water-soluble contaminants will be necessary with the Crestline® Altra Series™. Typically, once every 2-3 weeks will be sufficient, unless you are running electrostatic plates on a daily basis whereas deglazing should be performed weekly. A 50/50 solution of household ammonia and hot water can be used for deglazing purposes. If you prefer a commercially available deglazer, avoid those containing pumice or gritty substances. Always follow deglazing with straight water and then roller wash. Accel offers a product called **COMPOUND X** that we recommend for deglazing our system. Contact your dealer or Accel for more information.

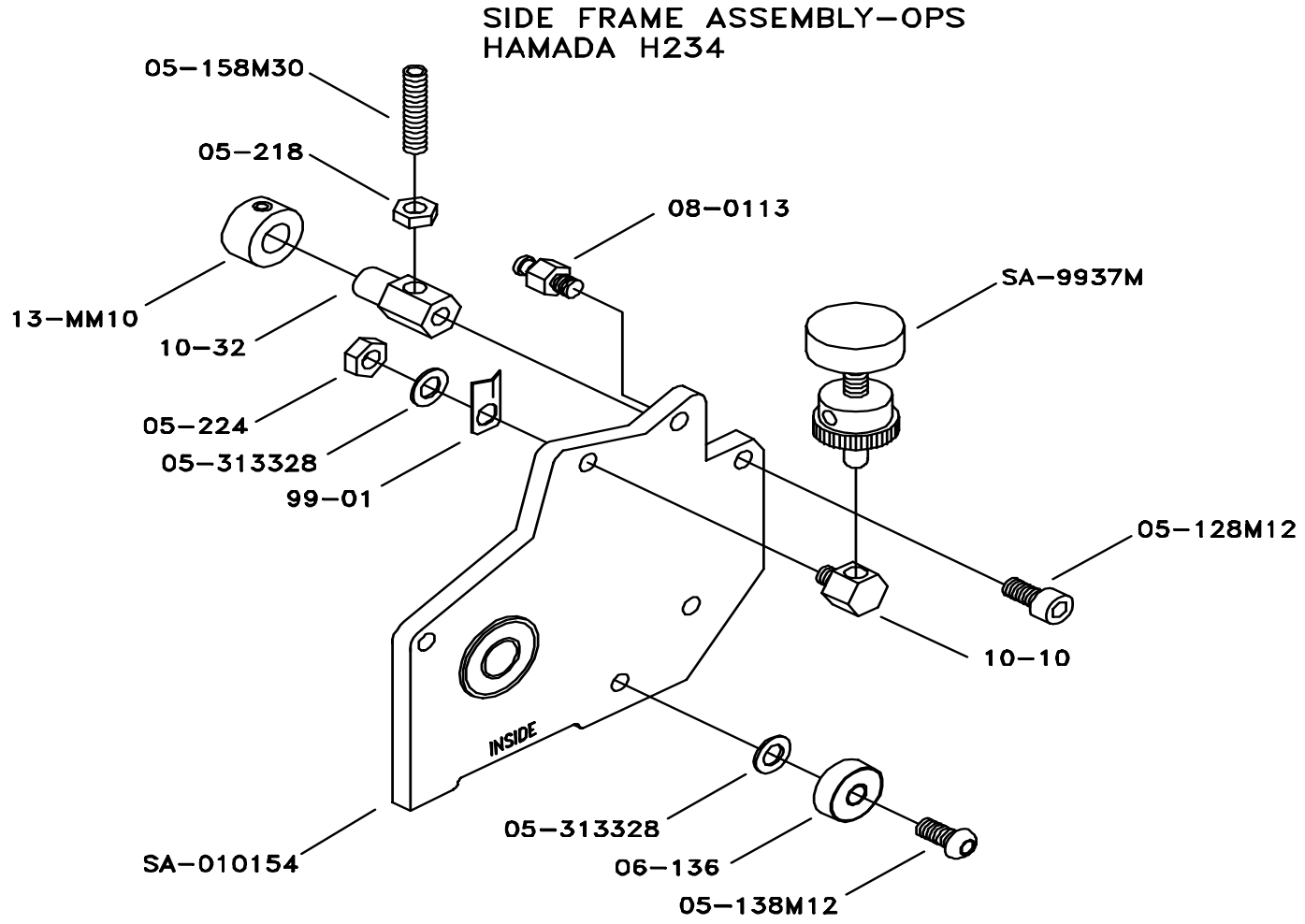
OILING AND GREASING THE DAMPENER

- A. Place a small amount of grease on the gears once a month.
- B. Inject grease into the oscillator grease fitting once a month.

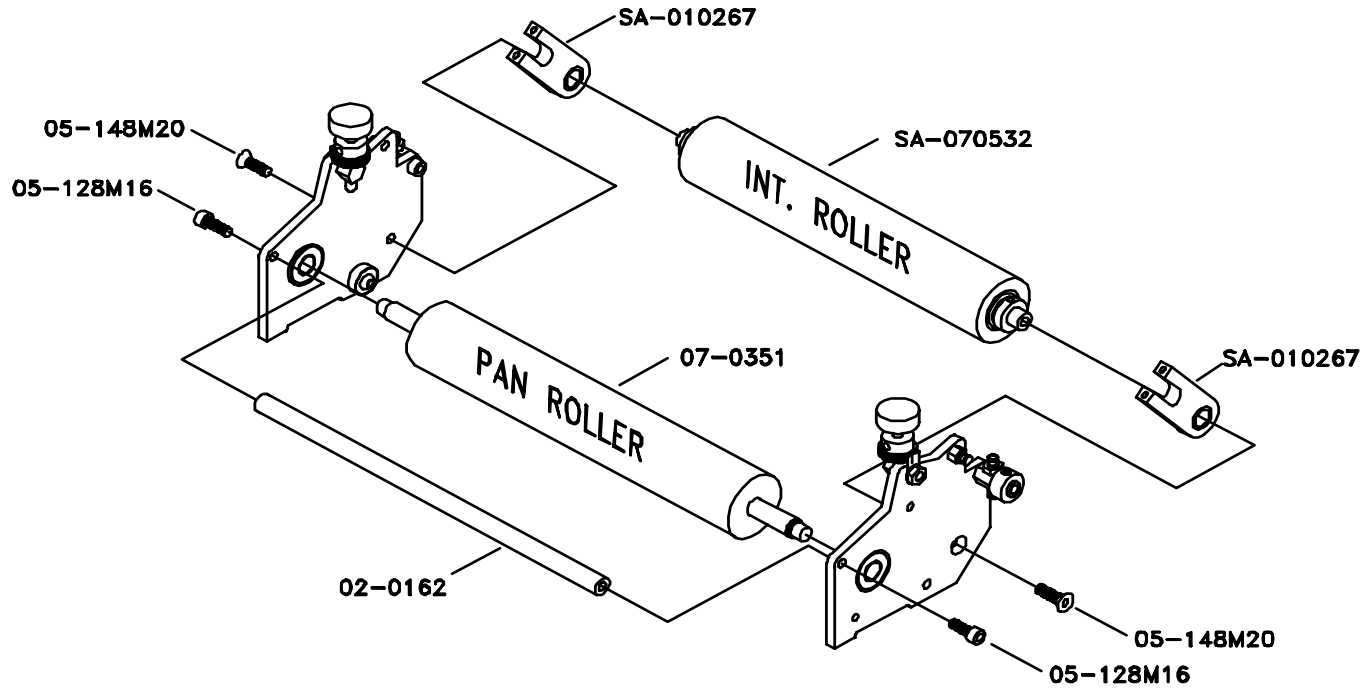
CLEANING & MAINTENANCE

CRESTLINE® ALTRA SERIES™ CLEANING & MAINTENANCE CHART

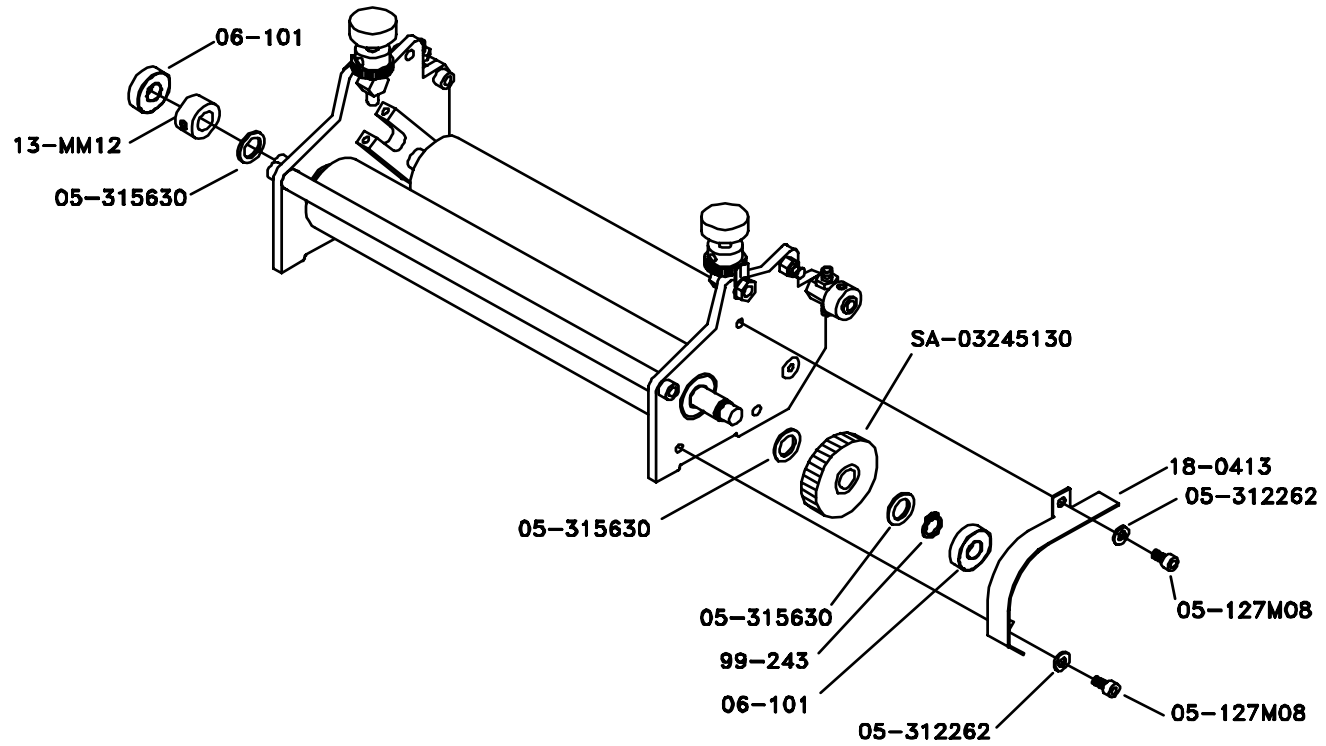
	Daily	Weekly	Bi-Weekly	Monthly
Wash Rollers	✓			
Deglaze Rollers				
Metal Plate Users			✓	
Silvermaster Plate Users			✓	
Electrostatic Plate Users		✓		
Grease Gears				✓
Inspect Ball Bearings				✓
Check Roller Pressures				✓
Check Roller Surfaces				✓



DAMPENER ASSEMBLY
HAMADA H234

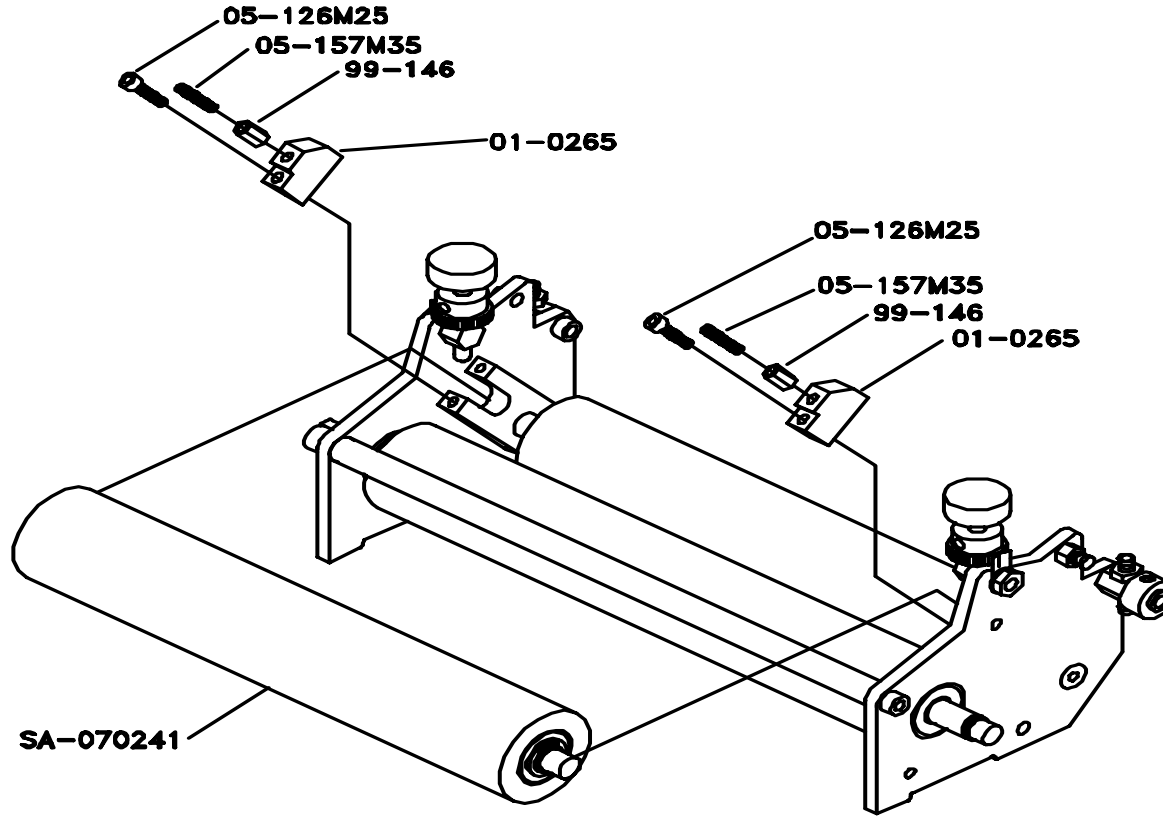


DRIVE GEAR ASSEMBLY
HAMADA H234

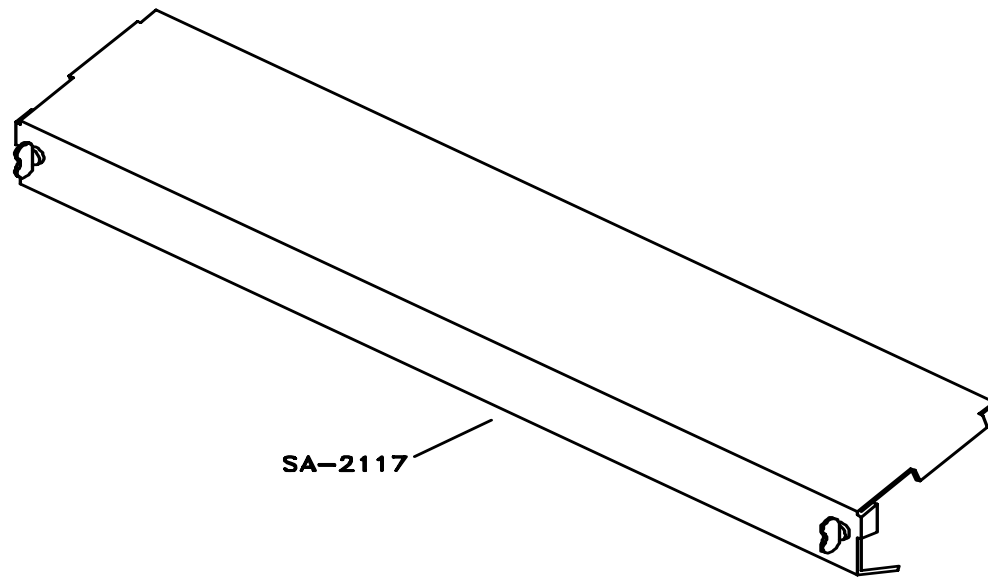


HM234C04, 3-20-97

METERING ROLLER ASSEMBLY
HAMADA H234

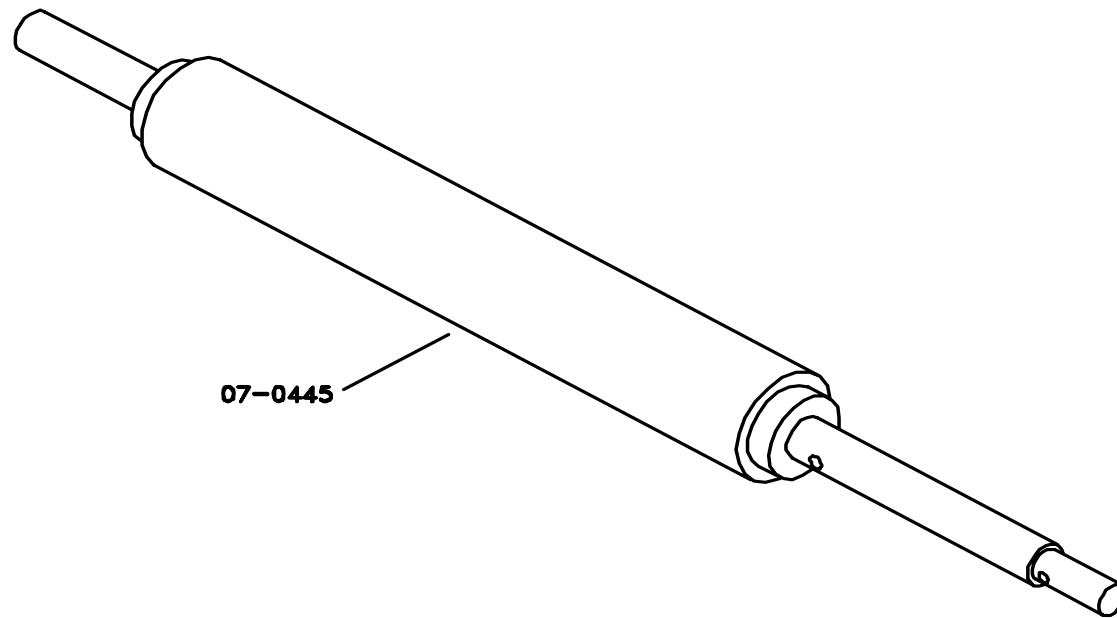


**SPLASH GUARD ASSEMBLY
HAMADA H234**



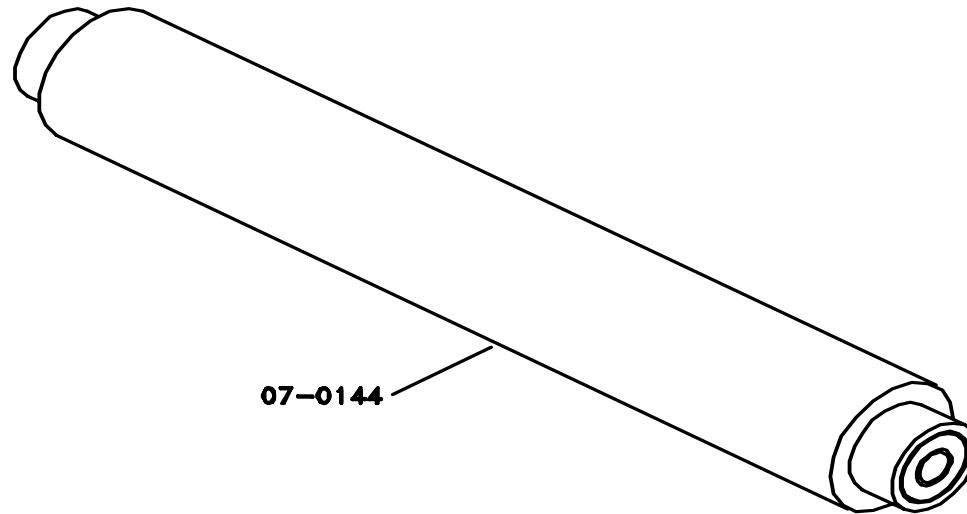
HM234C06, 3-20-97

OSCILLATOR ROLLER
HAMADA H234



07-0445

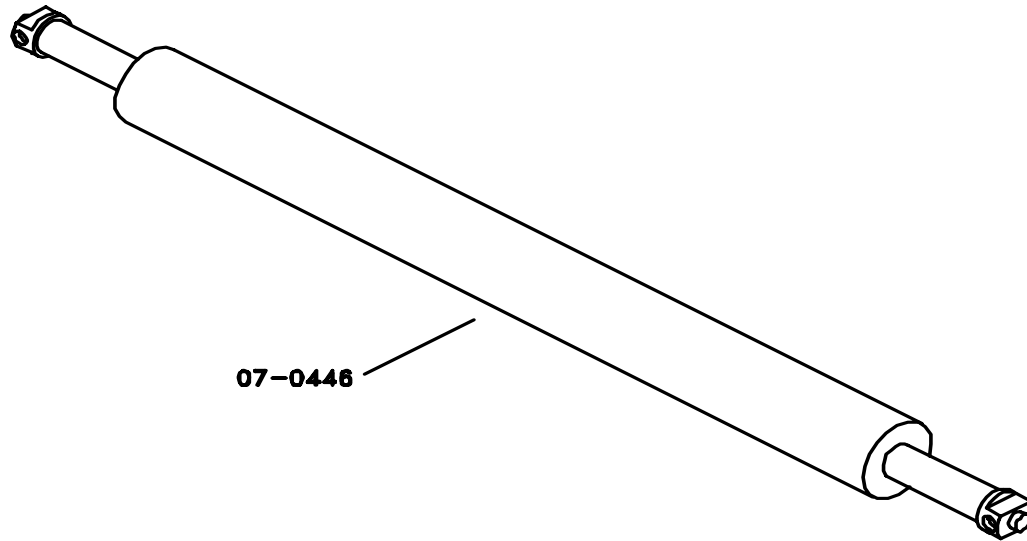
**FORM ROLLER
HAMADA H234**



07-0144

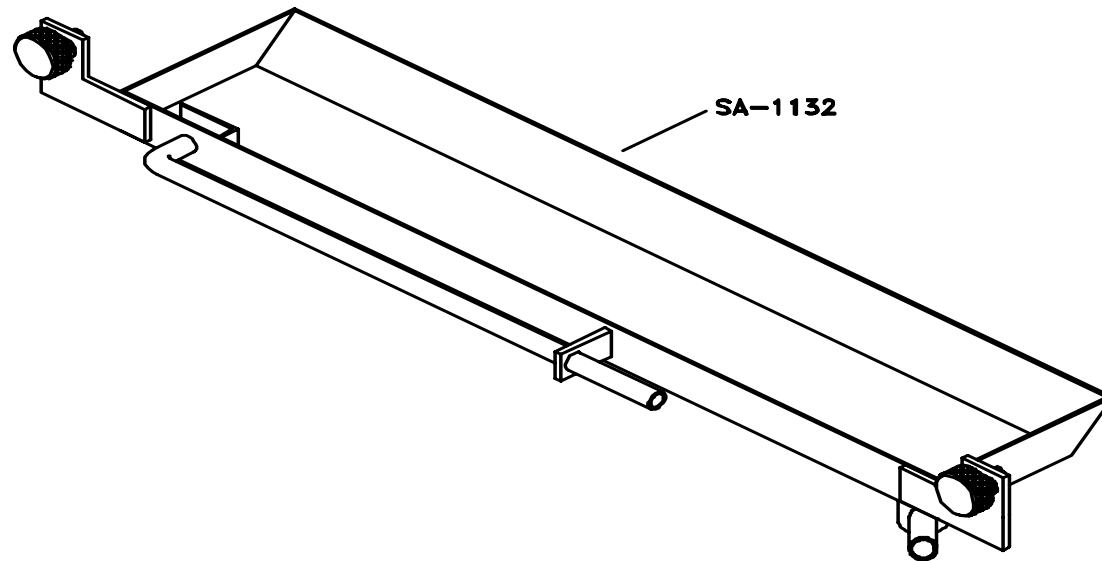
HM234C06, 3-20-97

**RIDER OSCILLATOR ROLLER
HAMADA H234**



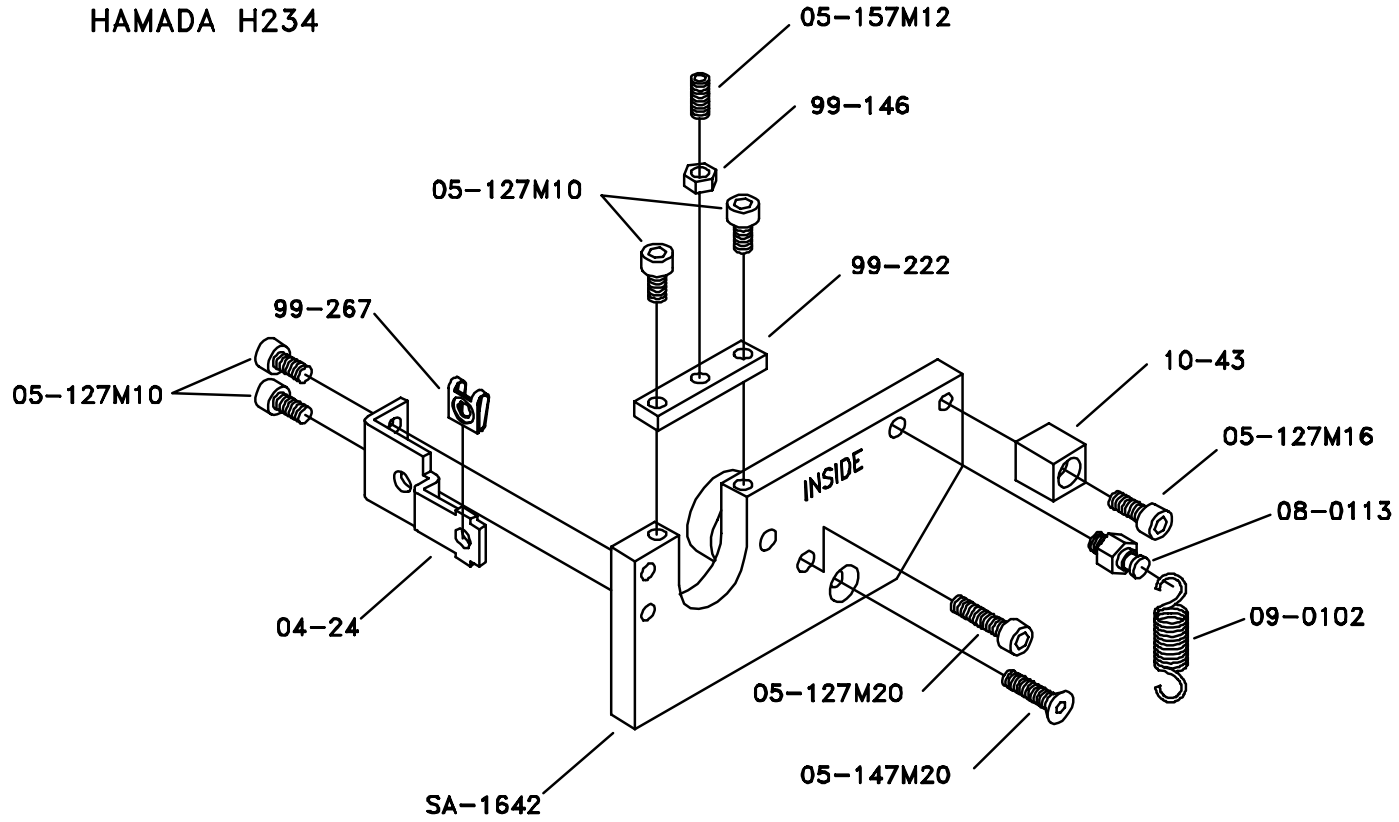
07-0446

**WATER PAN ASSEMBLED
HAMADA H234**

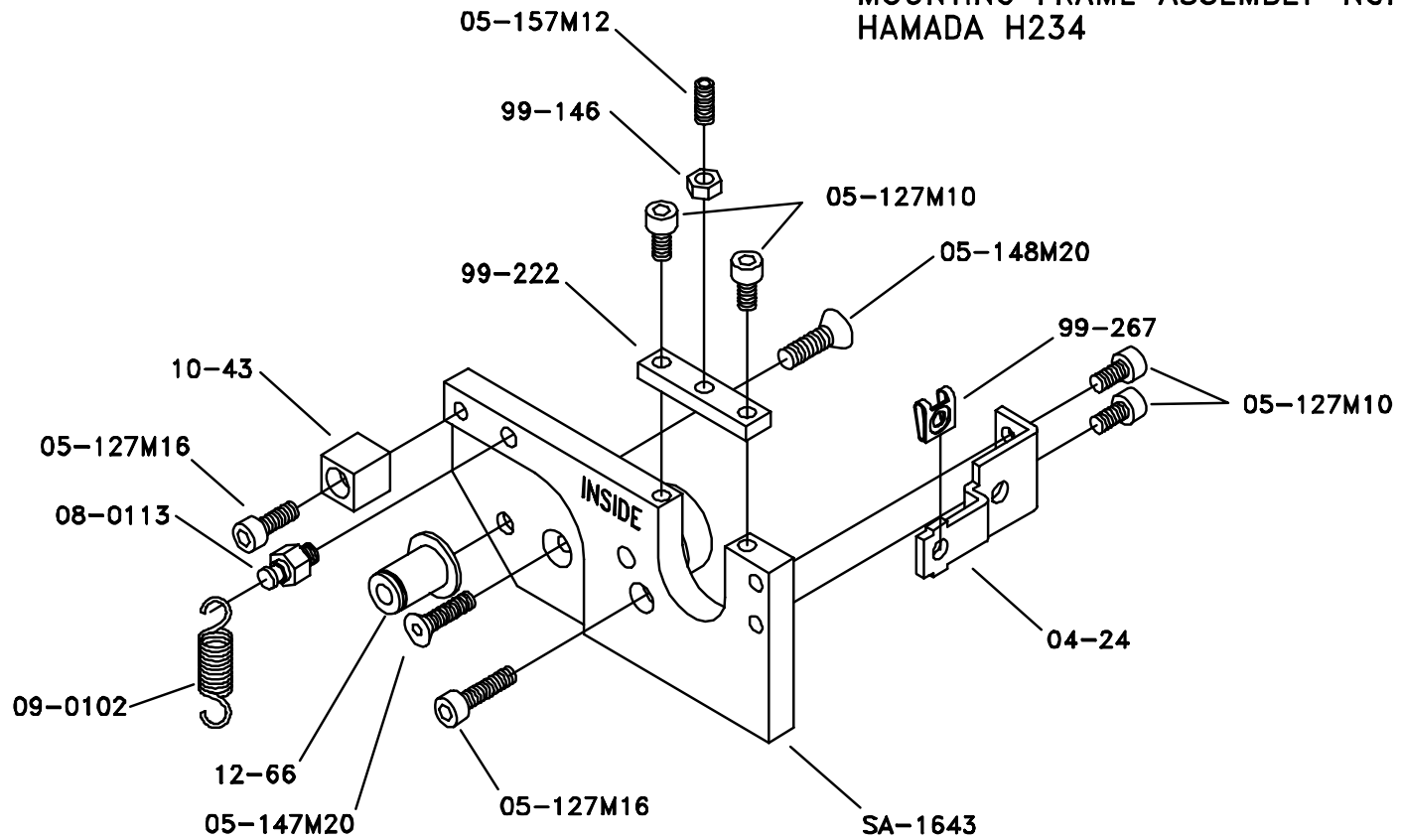


HM234C10, 3-20-97

MOUNTING FRAME ASSEMBLY-OPS
HAMADA H234

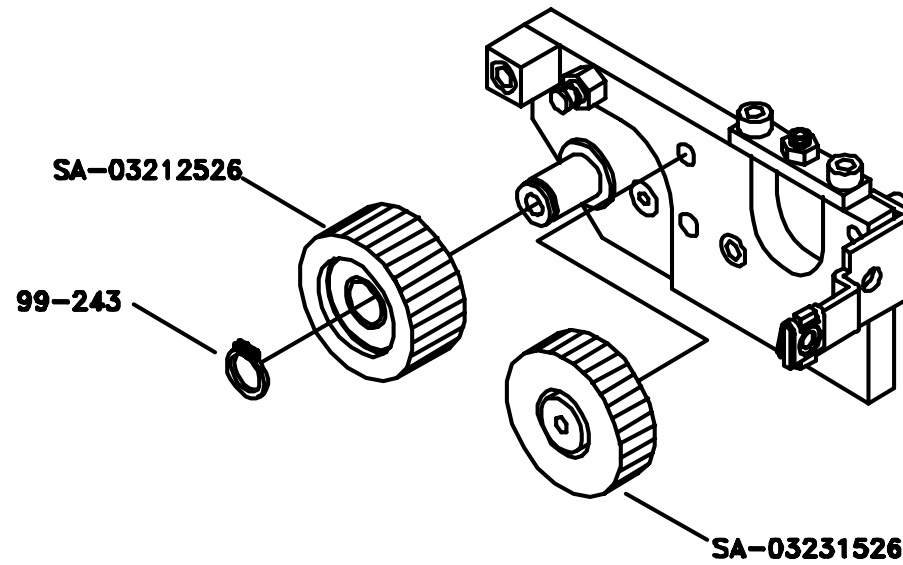


MOUNTING FRAME ASSEMBLY-NOPS
HAMADA H234

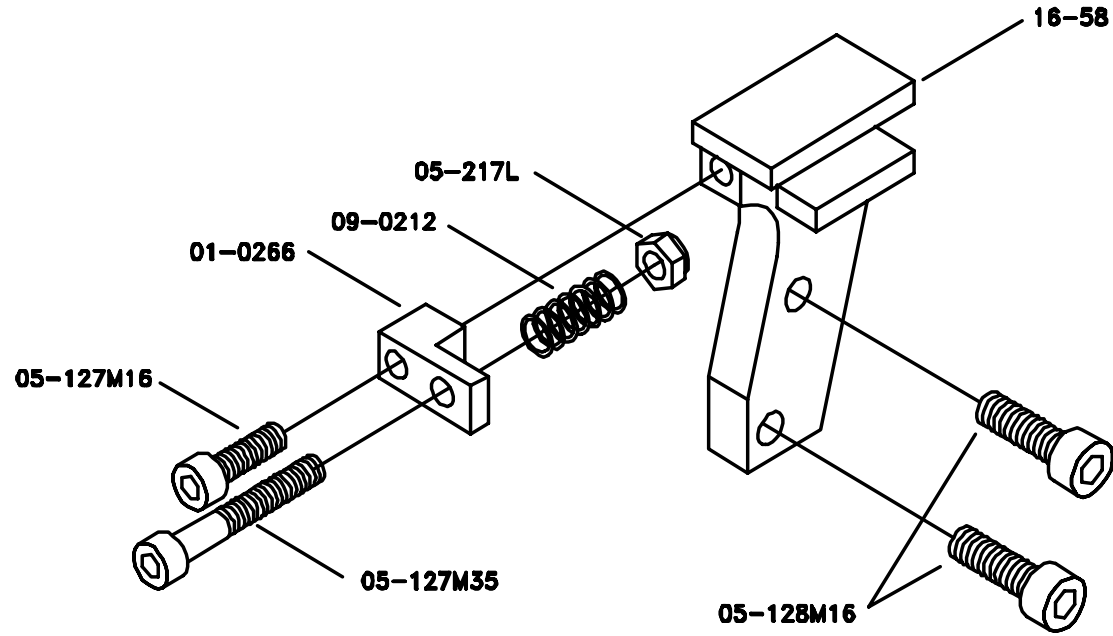


HM234C12, 1-9-98

**IDLER GEAR
HAMADA H234**

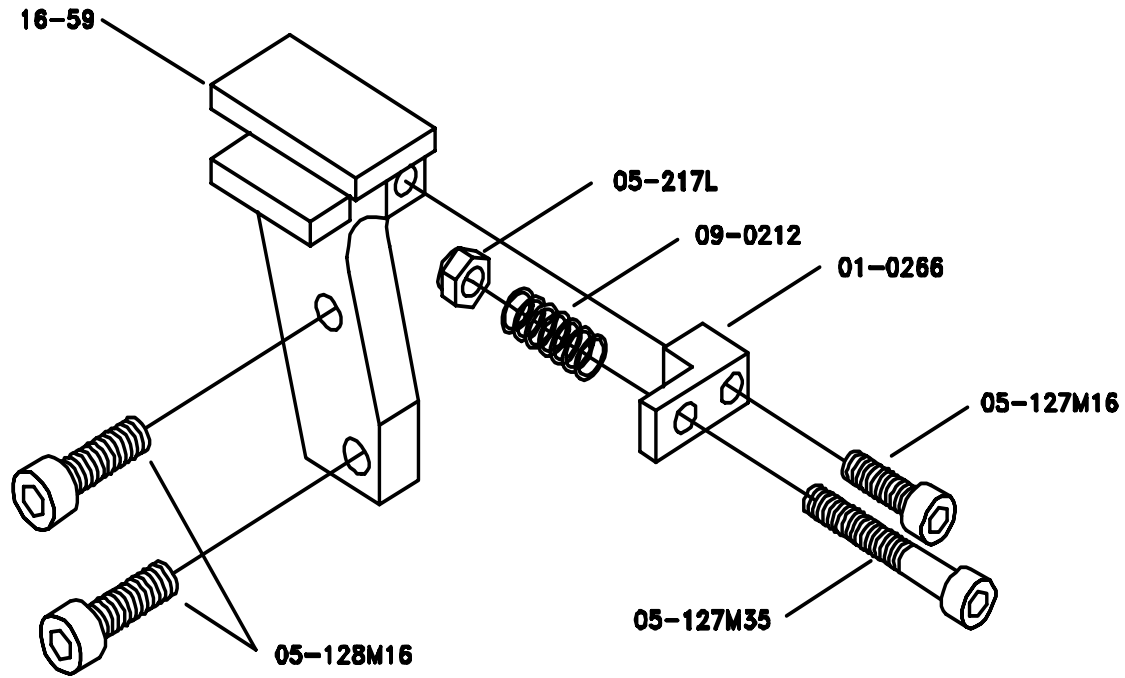


**OSCILLATOR ROLLER MOUNTING ASSEMBLY-OPS
HAMADA H234**



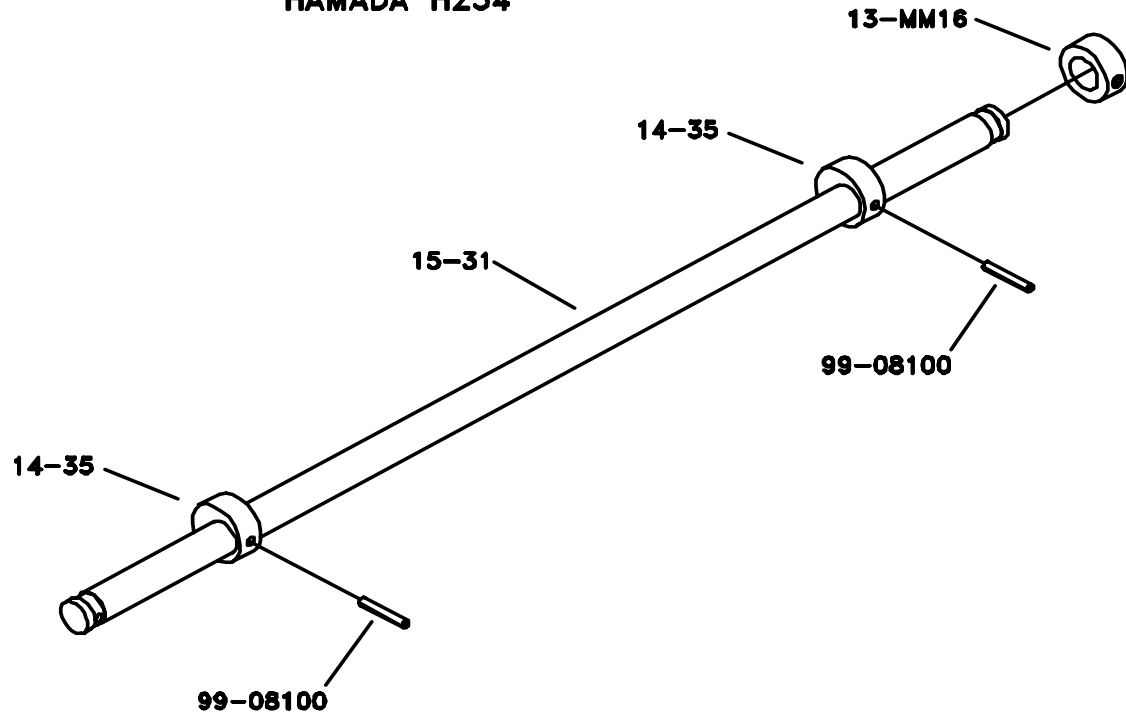
HM234C14, 3-21-97

OSCILLATOR ROLLER MOUNTING ASSEMBLY-NOPS
HAMADA H234



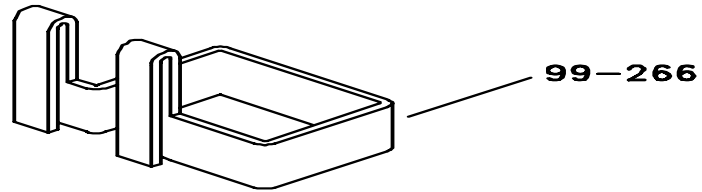
HM234C15, 3-21-97

**LIFT SHAFT ASSEMBLY
HAMADA H234**



HM234C16, 3-21-97

**WEIR
HAMADA H234**



HM234C17, 3-21-97

TheRollerStore.com ~ 229.241.8022



A Pamarco Technologies Inc. Company

11103 Indian Trail, Dallas, TX 75229 Phone 972-484-6808, Fax 800-365-6510
E-Mail info@accel-us.com, Web Site www.accel-us.com