

# Parts Catalog

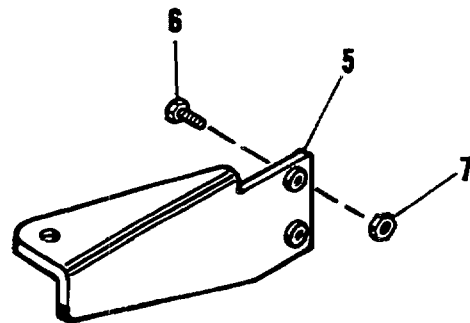
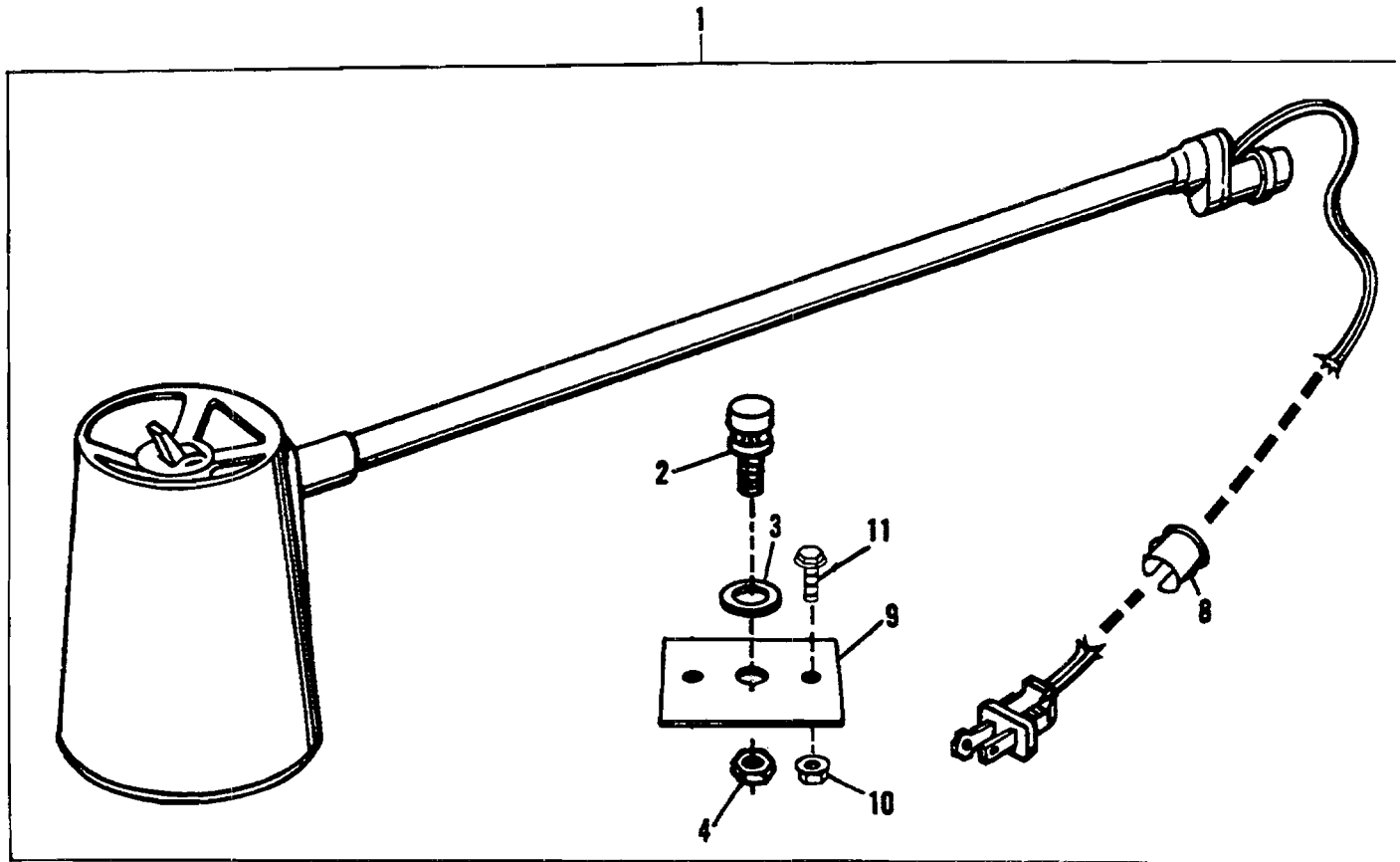


FIGURE 78  
MODEL 9815/9850 Worklight Assembly

# Parts Catalog

Index No.	Part No.	MODEL 9805/9850 Figure 78 Description	Units Per Assy.
1	***	WORKLIGHT ASSEMBLY - Flexible, 115 V. ....	1
2	101921	POST - 3/8 - 16 .....	1
3	190699	WASHER - .390 I.D. x 1.250 O.D. x .097 .....	1
4	101922	NUT - 3/8-16 .....	1
5	>017818	BRACKET - Lamp, CD, QPC & PRO .....	1
5	017137	BRACKET - Lamp, TD & QP .....	1
6	111071	SCREW - 1/4-28 x 1/2, CD, QPC & PRO .....	2
6	195296	SCREW - 1/4-28 x 3/4, TD & QP .....	2
7	150085	NUT - 1/4-28 .....	2
8	251520	BUSHING - Plastic, 1/2 O.D. ....	1
9	016568	PLATE - Reinforcement .....	1
10	014808	NUT - 10-32 .....	2
11	001220	SCREW - 10-32 x 3/8 .....	2
***Order as Product Number 1-3582 .....			1
>For Chain Delivery With Aluminum Frames			