

# Parts Catalog

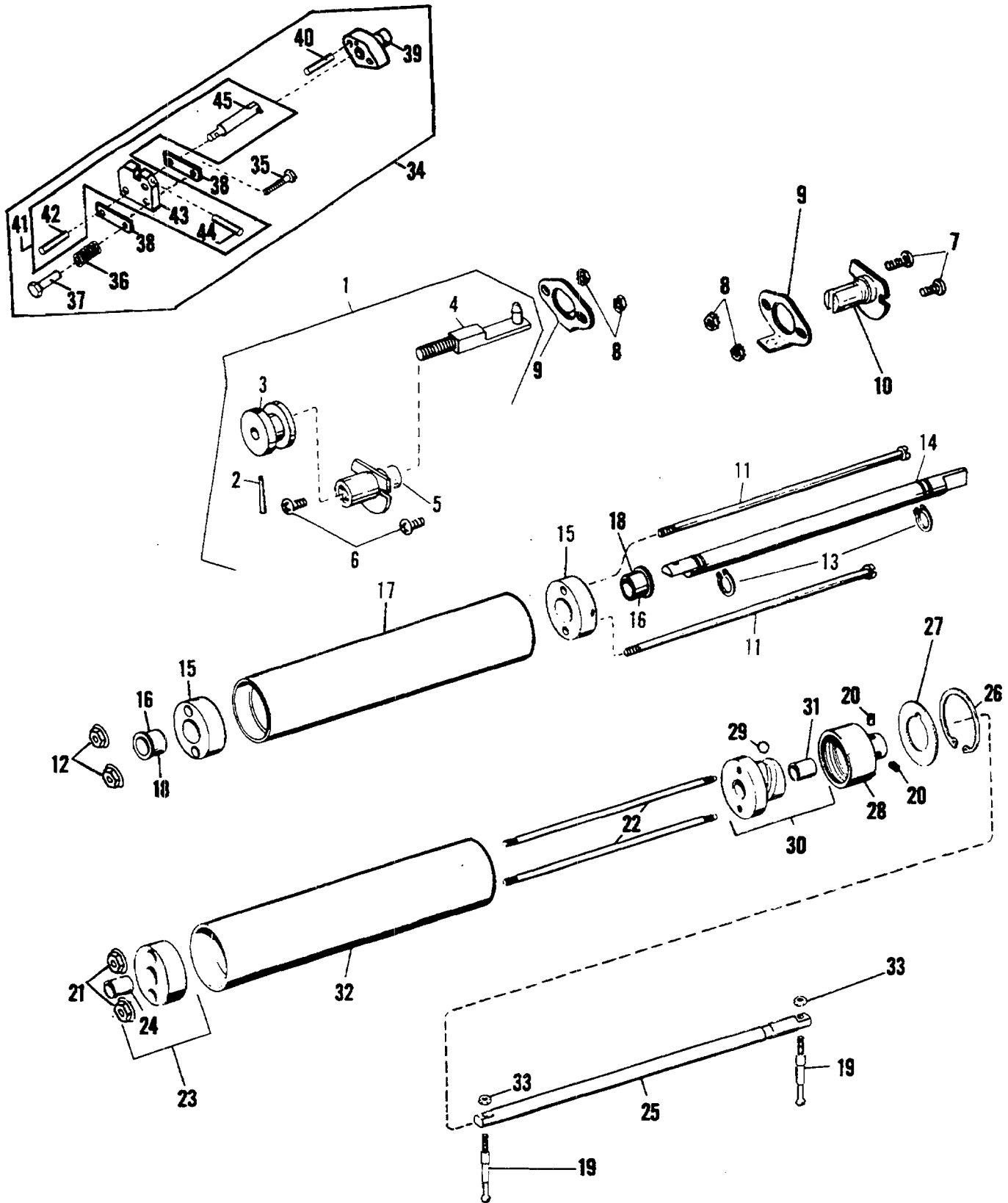


FIGURE 10  
MODEL 9815/9850 Waver, Oscillating Roller and Guide Assemblies

# Parts Catalog

Index No.	Part No.	MODEL 9805/9850 Figure 10 Description	Units Per Assy.
1	073011	COUPLE ASSEMBLY, Standard.....	1
2	000014	PIN - Taper, .147 O.D. x 1.125 O.A.L.....	1
3	*073014	COUPLING, Standard.....	1
4	*073012	SHAFT.....	1
5	084413	GUIDE - Coupling.....	1
6	111074	SCREW - 1/4-28 x 3/4.....	2
7	111073	SCREW - 1/4-28 x 5/8.....	2
8	150085	NUT - 1/4-28.....	4
9	080295	BRACKET.....	2
10	084412	GUIDE - Slotted, Standard.....	1
10	083550	GUIDE - Slotted, Dampener.....	1
11	194800	SCREW - 1/4-28 x 12-1/2 (TD, CD, QP and QPC).....	2
12	196475	NUT - Special, 1/4-28 (TD, CD, QP and QPC).....	2
13	001094	RING - Retaining, .463 I.D.....	2
14	007569	SHAFT - Standard (TD, CD, QP and QPC).....	1
14	007852	SHAFT - Standard (PRO).....	1
14	016864	SHAFT - Dampener.....	1
15	076194	CAP - Waver Roller (TD, CD, QP and QPC).....	2
16	190387	BUSHING - .504 I.D. x .629 O.D. x .817 O.A.L.....	1
17	007570	ROLLER - Waver, Nylon, Dampener (TD, CD, QP and QPC).....	1
17	008026	ROLLER - Transfer, Rubber (PRO).....	1
18	195401	BUSHING - .504 I.D. x .627 O.D. x .755 O.A.L.....	2
19	073193	PIN - Special, (TD, CD, QP and QPC) 2-9/16" O.A.L.....	2
19	195684	PIN - Special, (PRO & QPC) 2-5/16" O.A.L.....	2
20	014390	SCREW - Set, 1/4-28 x 1/4.....	2
21	196475	NUT - Special, 1/4-28.....	2
22	007580	TIE ROD.....	2
23	080694	PLUG - Oscillating Roller.....	1
24	001497	BUSHING - .504 I.D. x .629 O.D. x .625 O.A.L.....	1
25	007581	SHAFT - Oscillating Roller.....	1
26	014523	RING - Retaining, 2.600 O.D.....	1
27	080698	GUARD - Splash.....	1
28	080263	CAP - Oscillating Roller.....	1
29	080699	BALL - Cam Assembly.....	1
30	080695	PLUG AND CAM ASSEMBLY.....	1
31	001427	BUSHING - .503 I.D. x .628 O.D. x .880 O.A.L.....	1
32	007577	ROLLER - Oscillating Rider, Nylon.....	1
33	001804	NUT - 10-32.....	2
34	083549	COUPLING ASSEMBLY - Dampener.....	1
35	080617	SCREW - Shoulder.....	1
36	080619	SPRING - Compression, .504 O.D. x 1 1/4 O.A.L. x .075.....	1
37	080616	NUT - Special.....	1
38	080614	PLATE - Clamping.....	2
39	080293	GUIDE - Coupling Assembly.....	1
40	014905	PIN - Roll, .198 x 1/2.....	1
41	083548	COUPLING SHAFT AND BLOCK ASSEMBLY.....	1
42	001987	PIN - Roll, .167 x .890.....	1
43	080615	BLOCK - Coupling.....	1
44	014579	PIN - Drive-Lok.....	1
45	083547	SHAFT ASSEMBLY - Coupling, Drilling Necessary.....	1

\*Not Procurable Separately