

Parts Catalog

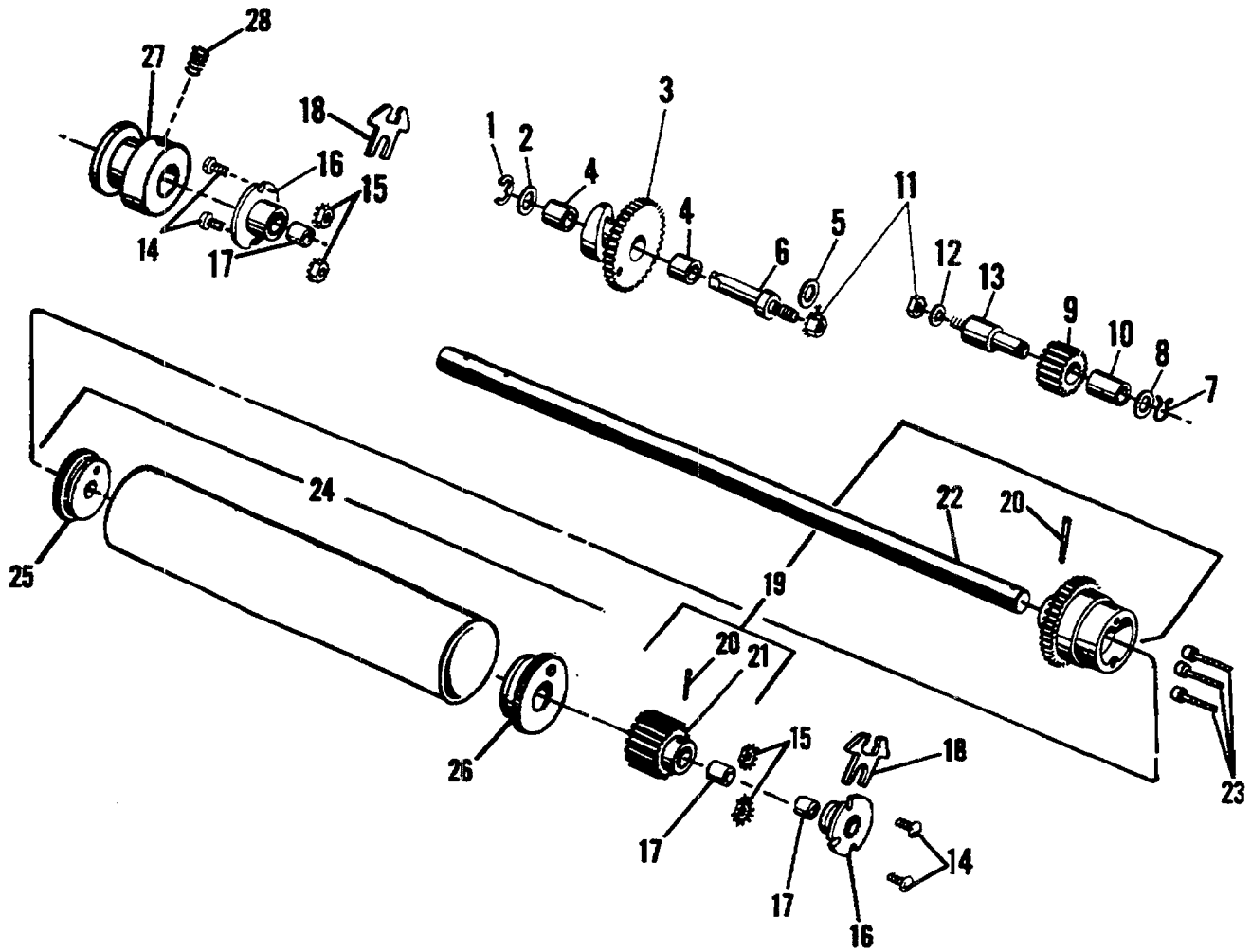


FIGURE 15
MODEL 9815/9850 Waver Roller

Parts Catalog

Index No.	Part No.	MODEL 9805/9850 Figure 15 Description	Units Per Assy.
1	100576	RING - Retaining, .469 I.D.	1
2	191289	WASHER - .504 I.D.	1
3	073043	WAVER AND CAM GEAR ASSEMBLY	1
4	001432	BUSHING - .504 I.D. x .629 O.D. x .500 O.A.L.	2
5	001721	WASHER - .380 I.D.	1
6	080349	STUD - Waver and Cam Gear	1
7	001048	RING - Retaining, .463 I.D.	1
8	001797	WASHER - Lock, .515 I.D. x .812 O.D.	1
9	076218	IDLER GEAR ASSEMBLY	1
10	001427	BUSHING - .503 I.D. x .628 O.D x .880 O.A.L.	1
11	190254	NUT - 3/8-24	2
12	014750	WASHER - Lock, .391 I.D. x .687 O.D.	1
13	195385	STUD - Idler Gear, 3/8-24	1
14	111055	SCREW - 10-32 x 9/16	4
15	014248	NUT - 10-32	4
16	075931	BUSHING ASSEMBLY - Waver Roller and Shaft	2
17	001497	BUSHING - .504 I.D. x .629 O.D. x .625 O.A.L.	4
18	073894	SLIDE - Form Roller	2
19	007557	SHAFT ASSEMBLY - Waver Roller	1
20	014910	PIN - Taper, .875 O.A.L.	2
21	079905	GEAR	1
22	*007558	SHAFT	1
23	014157	SCREW - 1/4-28 x 1-1/4	3
24	007559	ROLLER ASSEMBLY - Waver, Nylon	1
25	080473	BEARING	1
26	080433	BEARING	1
27	073482	COUPLING	1
28	014207	SCREW - Set, 1/4-28 x 5/8	1

*Not Procurable Separately