

Parts Catalog

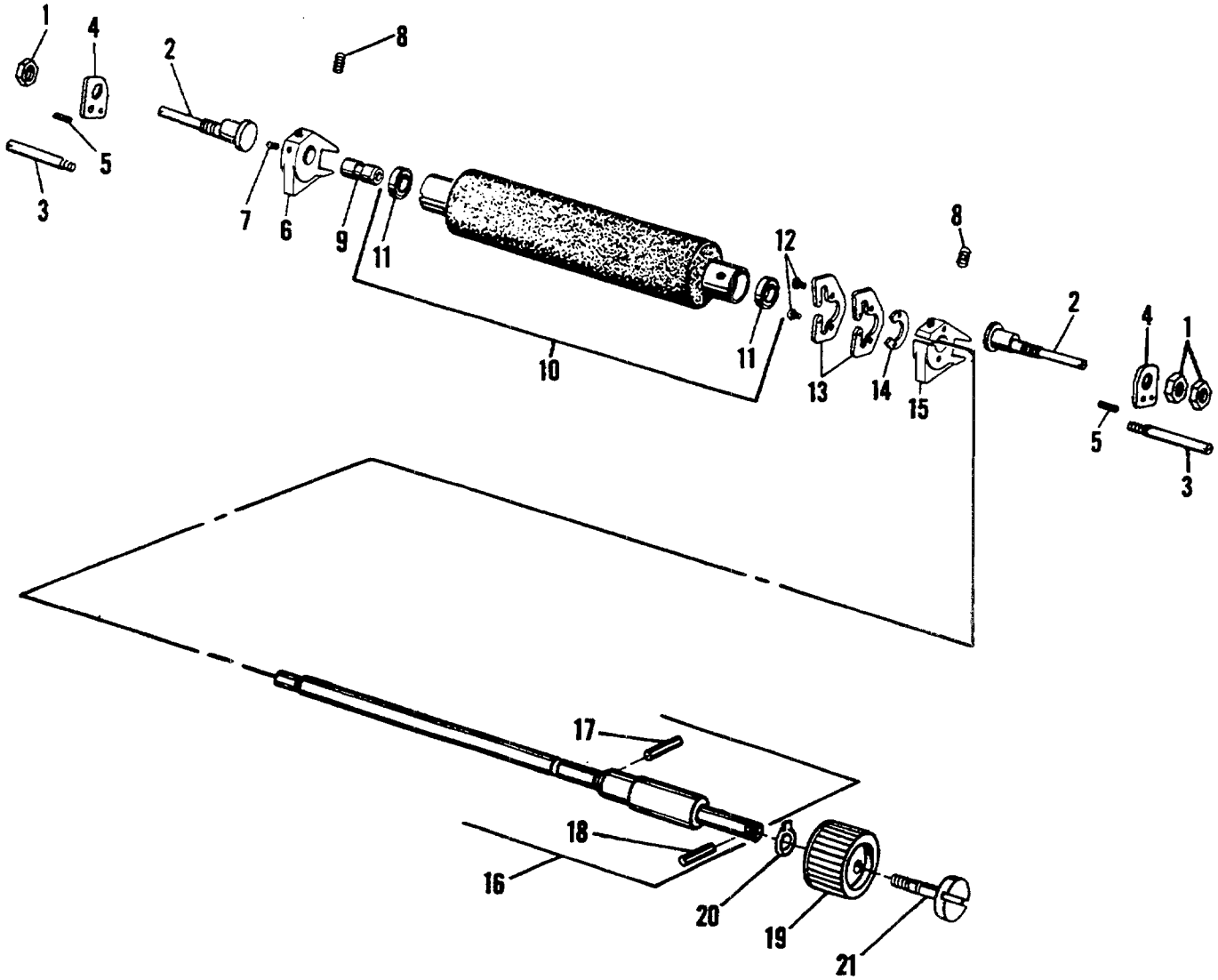


FIGURE 16
MODEL 9815/9850 Upper Form Roller and Shaft Assembly

Parts Catalog

| Index No. | Part No. | MODEL 9805/9850 Figure 16 Description | Units Per Assy. |
|-----------|----------|---|-----------------|
| 1 | 014819 | NUT - 5/16-24 | 2 |
| 2 | 076481 | SCREW - Eccentric Adjusting, 5/16-24 | 2 |
| 3 | 072271 | STUD - Locking, 10-32 | 2 |
| 4 | 072272 | LEVER - Locking Stud | 2 |
| 5 | 014912 | PIN - Roll, .167 O.D. x .515 O.A.L. | 2 |
| 6 | 073446 | FORM ROLLER LEVER - N.O.S. | 1 |
| 7 | 014108 | SCREW - Set, 10-32 x 3/8 | 1 |
| 8 | 073338 | SPRING - Compression, 9/16 O.D. x 1-17/64 O.A.L. (RED)..... | 2 |
| 9 | 073327 | SLEEVE - Form Roller | 1 |
| 10 | 007567 | ROLLER ASSEMBLY - Upper Form (2.0 Diameter) | 1 |
| 11 | 073316 | BEARING - .437 I.D. x .906 O.D. | 2 |
| 12 | 001577 | SCREW - 8-32 x 7/16 | 2 |
| 13 | 073098 | RETAINER - Stop Plate | 2 |
| 14 | 073097 | PLATE - Stop | 1 |
| 15 | 073444 | FORM ROLL LEVER - O.S. | 1 |
| 16 | 007599 | SHAFT ASSEMBLY - Form Roller | 1 |
| 17 | 001978 | PIN - Roll, .135 O.D. x .765 O.A.L. | 1 |
| 18 | 001980 | PIN - Roll, .135 O.D. x .640 O.A.L. | 1 |
| 19 | 017735 | KNOB | 1 |
| 20 | 039642 | RING - Vinyl, .135 I.D. | 1 |
| 21 | 196246 | SCREW - Dowel, 1/4-28 | 1 |