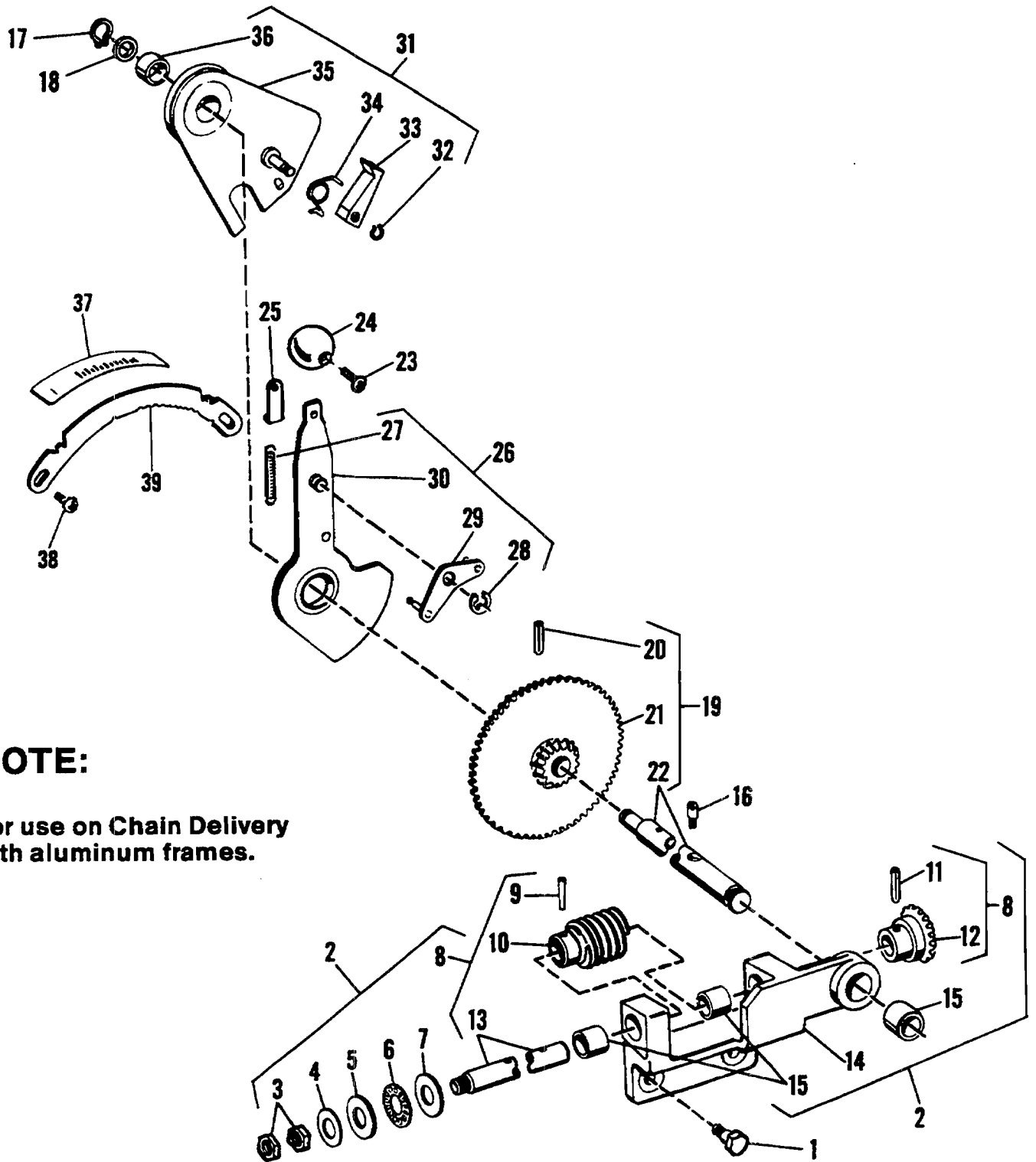


Parts Catalog



NOTE:

For use on Chain Delivery with aluminum frames.

FIGURE 73
MODEL 9815/9850 Table Control

Parts Catalog

Index No.	Part No.	MODEL 9805/9850 Figure 73 Description	Units Per Assy.
1	081553	SCREW - Support Mounting, 1/4-28	2
2	081543	SUPPORT AND GEAR ASSEMBLY	1
3	001845	NUT - 3/8-24	2
4	001771	WASHER - .875 O.D. x .385 I.D. x .059	1
5	081552	RACE - Gear Shaft Bearing	1
6	081550	BEARING - Gear Shaft	1
7	081551	RACE - Gear Shaft Bearing	1
8	081547	SHAFT ASSEMBLY - Worm Gear	1
9	001920	PIN - Taper, .149 O.D. x .750	1
10	*072636	GEAR - Worm	1
11	001981	PIN - Roll, .199 O.D. x .827	1
12	*081607	GEAR - Bevel	1
13	*081548	SHAFT - Worm Gear	1
14	081544	SUPPORT- Worm Gear	1
15	001432	BEARING- .629 O.D. x .504 I.D. x .500	3
16	081609	PIN - Handle Lock	1
17	001047	RING - Retaining, .340 I.D. x .027	1
18	001755	WASHER - .625 O.D. x .385 I.D. x .047	1
19	017598	SHAFT ASSEMBLY - Table Control Ratchet	1
20	001978	PIN - Roll, .135 O.D. x .765	1
21	*081606	RATCHET ASSEMBLY - Table Control	1
22	*017597	SHAFT - Ratchet Crank	1
23	112652	SCREW - 8-32 x 9/16	1
24	017052	KNOB - Brown	1
25	081539	POINTER - Control Lever	1
26	081574	LEVER ASSEMBLY - Table Control	1
27	021369	SPRING - Tension, .250 O.D. x 1.062 O.A.L. x .033	1
28	001095	RING - Snap, .245 I.D. x .027	1
29	081575	LEVER - Locking	1
30	081579	LEVER - Table Control	1
31	081565	MOUNT ASSEMBLY - Ratchet Pawl	1
32	001049	RING- Retaining, .227 I.D. x .027	1
33	081567	PAWL - Ratchet Holding	1
34	081833	SPRING- Pawl Tension	1
35	081569	MOUNT- Ratchet Pawl	1
36	014639	BEARING- .629 O.D. x .504 I.D. x .307	1
37	081611	DECAL - Table Adjust	1
38	111052	SCREW - 10-32 x 3/8	2
39	081604	RATCHET- Control Lever Holding	1

*Not Procurable Separately

NOTE: All above parts are used for Chain Delivery with Aluminum Frames.