

Parts Catalog

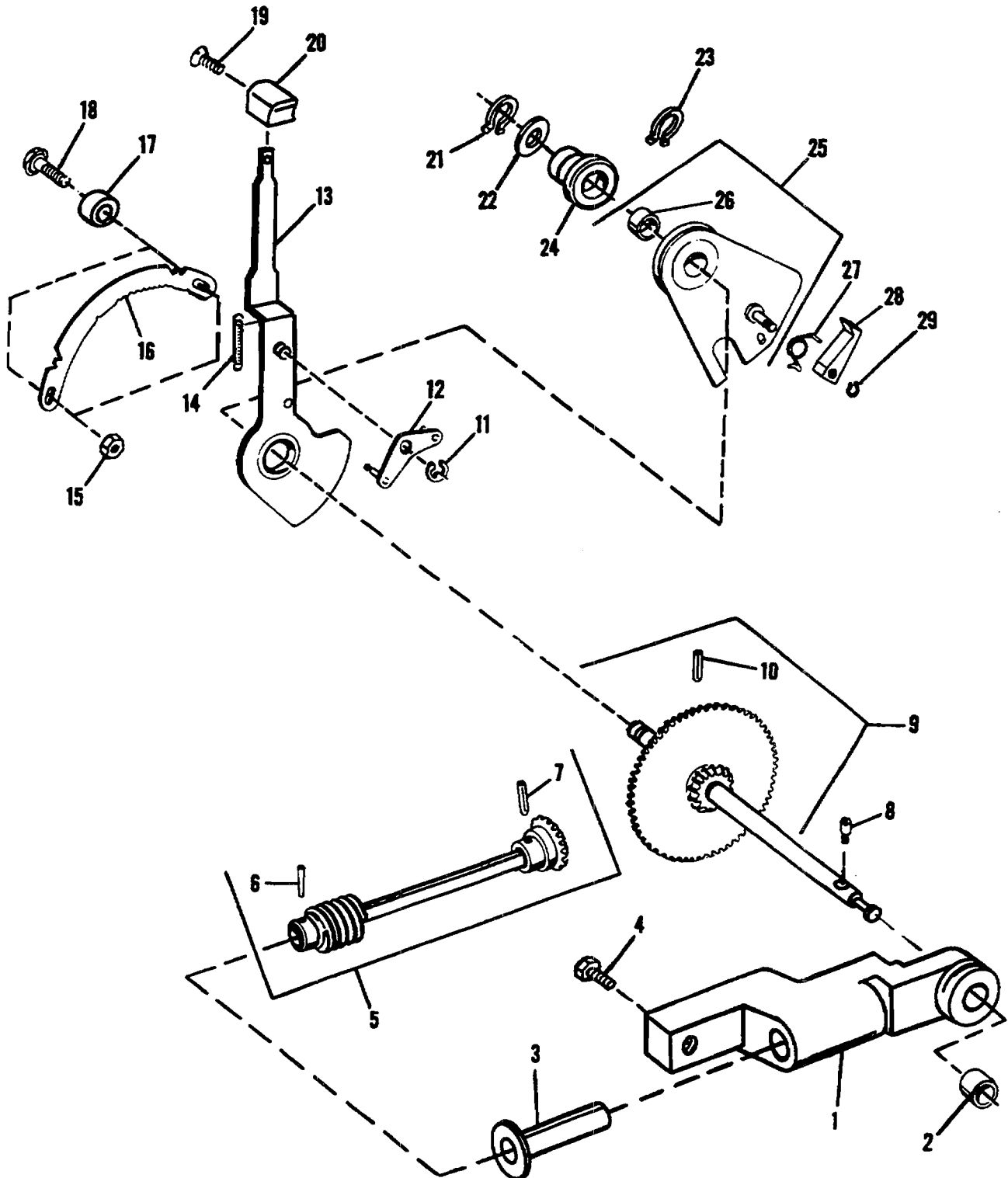


FIGURE 73A
MODEL 9820/9850 (1:1) Table Control

Parts Catalog

Index No.	Part No.	MODEL 9805/9850 Figure 73A Description	Units Per Assy.
1	016416	SUPPORT - Worm Gear	1
2	001432	BEARING - .504 I.D. x .629 O.D. x .500	1
3	196398	BEARING - Flanged	1
4	081553	SCREW - Dowel , 1/4-28	2
5	016418	SHAFT ASSEMBLY - Worm Gear	1
6	001920	PIN - Taper, .149 O.D. x .750	1
7	001981	PIN - Roll, .199 O.D. x .827	1
8	081609	PIN - Handle Lock	1
9	016481	SHAFT ASSEMBLY - Table Control Ratchet	1
10	001978	PIN - Roll, .135 O.D. x .765	1
11	001095	RING - Retaining, .245 I.D. x .027	1
12	081575	LEVER - Locking	1
13	016521	LEVER - Table Control	1
14	021369	SPRING - Tension, .250 O.D. x 1.062 O.A.L. x .033	1
15	014248	NUT - Lock , 10-32	2
16	081604	RATCHET - Control Lever Holding	1
17	196403	SPACER	2
18	111058	SCREW - 10-32 x 7/8	2
19	001552	SCREW - 8-32 x 3/8	1
20	016921	KNOB - Brown	1
21	001047	RING - Retaining, .340 I.D. x .027	1
22	001755	WASHER - .385 I.D. x .625 O.D. x .047	1
23	014461	RING - Retaining Bowed, .526 I.D. x .037	1
24	196402	BUSHING - Flanged	1
25	016477	MOUNT - Ratchet Pawl	1
26	014639	BEARING - .504 I.D. x .629 O.D. x .307	1
27	081833	SPRING - Pawl Tension	1
28	081567	PAWL - Ratchet Holding	1
29	001049	RING - Retaining, .227 I.D. x .027	1