

Parts Catalog

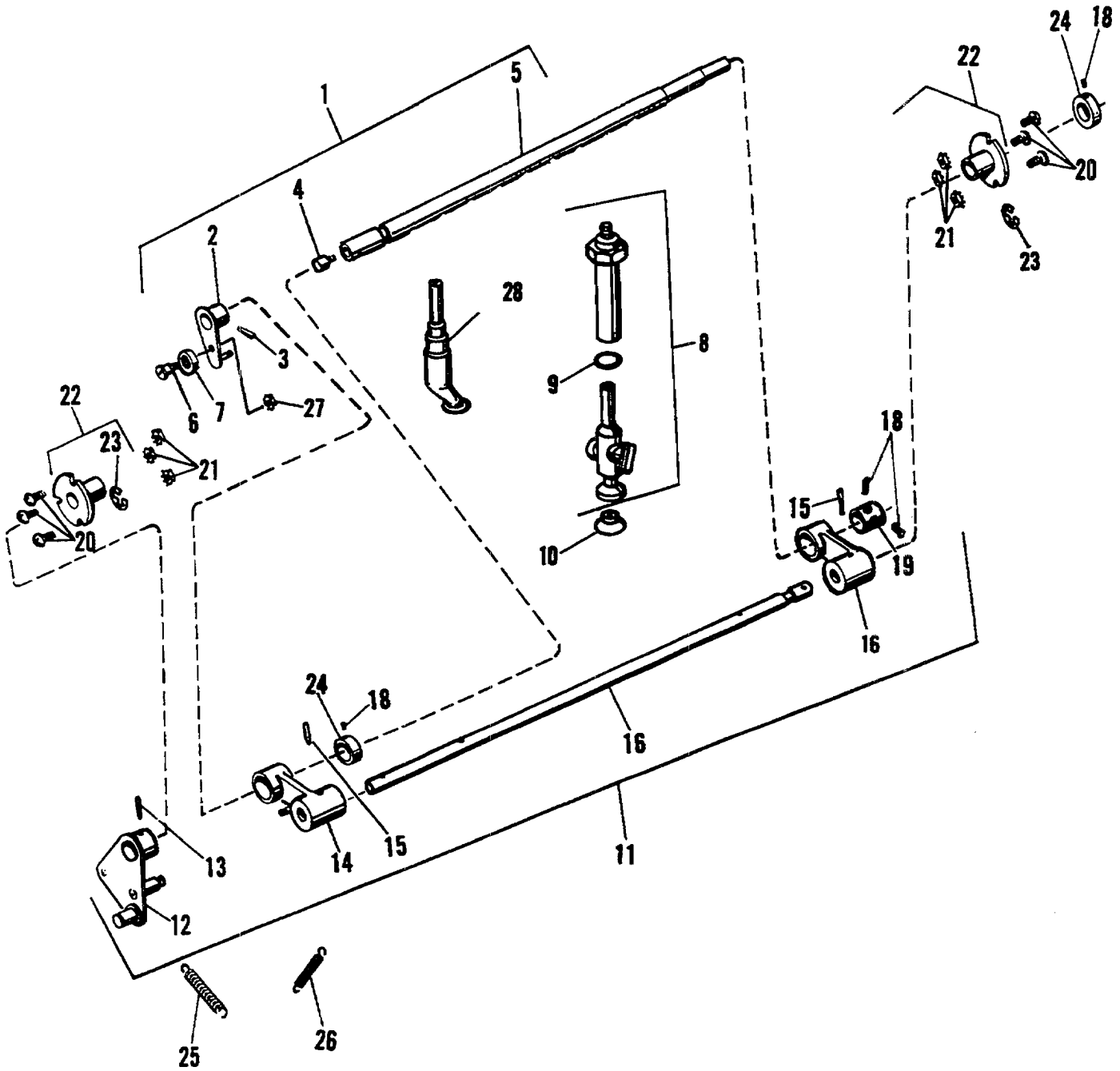


FIGURE 42
MODEL 9815/9850 Sucker Foot Assembly

Parts Catalog

Index No.	Part No.	MODEL 9805/9850 Figure 42 Description	Units Per Assy.
1	007601	TUBE ASSEMBLY - Header	1
2	*072710	LEVER	1
3	001956	PIN - Taper, .155 O.D. x .968 O.A.L.	1
4	073478	PLUG - Header Tube	1
5	*007602	TUBE - Header	1
6	191367	STUD - Shoulder	1
7	072712	TRUCK	1
8	018014	SUCKER TUBE	11
9	101701	RING - Compression	11
10	084248	FOOT - Rubber	11
11	007563	SHAFT ASSEMBLY - Feed Raise	1
12	*072245	LEVER	1
13	001987	PIN - Roll, .167 O.D. x .890 O.A.L.	2
14	*072717	LEVER ASSEMBLY - O.S.	1
15	000014	PIN - Taper, .146 O.D. x 1.094 O.A.L.	2
16	*007564	SHAFT	1
17	*072720	LEVER ASSEMBLY - N.O.S.	1
18	014372	SCREW - Set, 10-32 x 1/4	4
19	072422	COLLAR - Feed Raise Shaft	1
20	111055	SCREW - 10-32 x 9/16	6
21	150083	NUT - 10-32	6
22	076894	HOUSING ASSEMBLY - Feed Raise Shaft Bearing	2
23	101611	RING - Retaining, .756 I.D. x .044	2
24	072748	COLLAR - Header Tube and Lever	1
25	073486	SPRING- Tension, .581 O.D. x 2.437 O.A.L. x .080	1
26	072442	SPRING - Tension, .343 O.D. x 2.000 O.A.L. x .040	1
27	150085	NUT- 1/4-28	1
28	970205	SUCKER TUBE- Curved	11

*Not Procurable Separately