

Parts Catalog

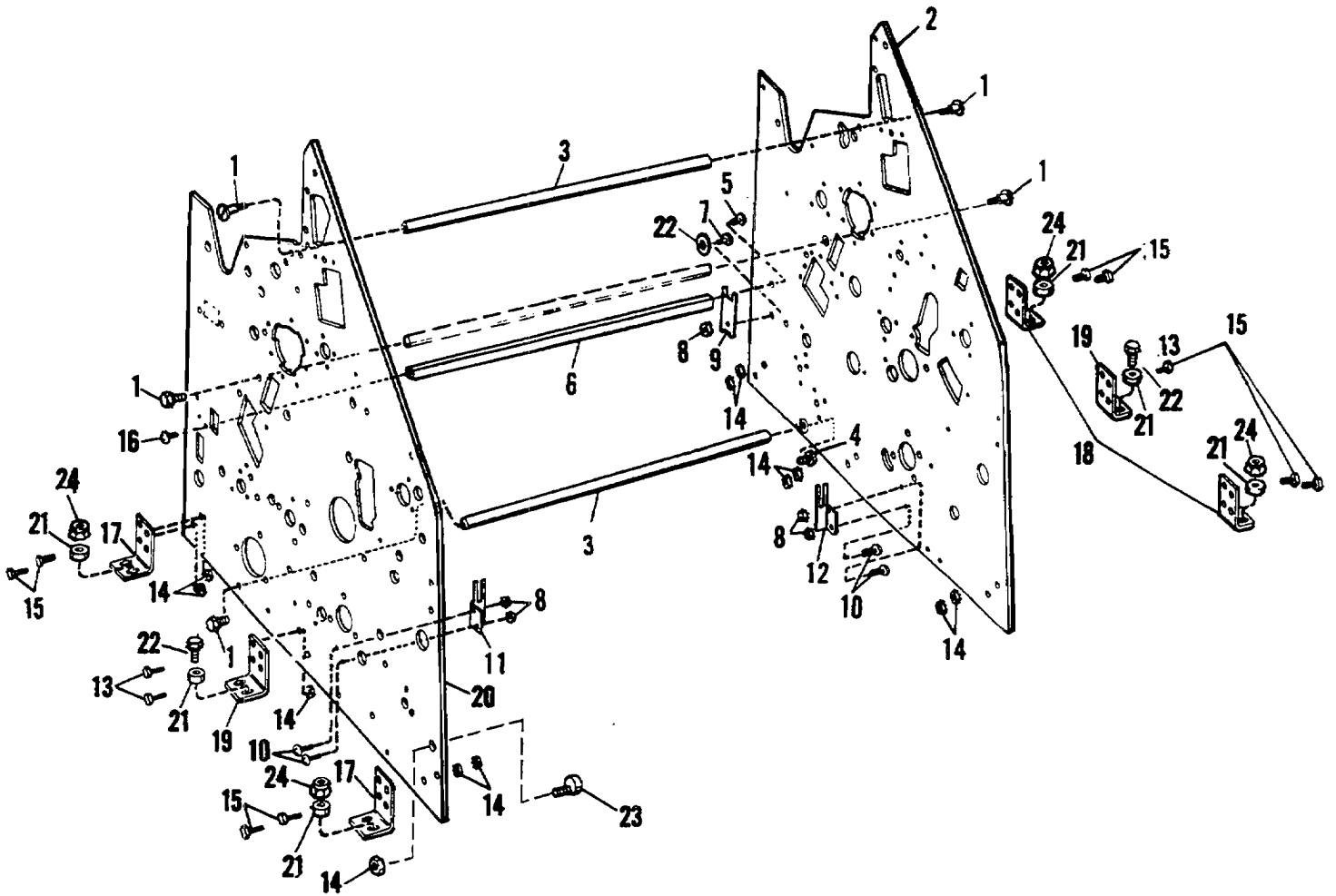


FIGURE 36
MODEL 9815/9850 Side Frames and Tie Bars

Parts Catalog

Index No.	Part No.	MODEL 9805/9850 Figure 36 Description	Units Per Assy.
1	193601	SCREW - Shoulder, 5/16-24	4
2	017514	FRAME - Machine, N.O.S.	1
2	016205	FRAME - Machine, N.O.S. (Square Corners)	1
3	007575	TIE BAR - CD, QPC and PRO	2
4	076842	TIE BAR	1
5	111071	SCREW - 1/4-28 x 1/2, TD	1
6	007750	TIE BAR TD QP	1
7	193778	SPACER - CD, QPC and PRO	2
7	054147	SCREW - Shoulder, 8-32, TD and QP	1
8	150081	NUT - 8-32	4
9	015260	LOCATING PLATE - TD and QP	1
10	111036	SCREW - 8-32 x 1/2	4
11	072055	GUARD - R.H.	1
12	072056	GUARD - L.H.	1
14	150085	NUT - 1/4-28	13
15	195296	SCREW - 1/4-28 x 3/4	8
16	111075	SCREW - 1/4-28 x 7/8	1
17	011055	BRACKET - Foot, O.S.	2
18	011056	BRACKET - Foot, N.O.S.	2
19	011229	BRACKET - Foot, Center	2
20	016204	FRAME - Machine, O.S. (Square Corners)	1
21	191782	SPACER - .318 I.D. x 9/16 x .152	6
21	193808	SPACER - (9840 B)	6
22	111089	SCREW - 5/16-24 x 5/8	2
23	190116	STOP - Height Regulator	1
24	001824	NUT - Lock, 5/16-18	4
25	196393	SCREW - Dowel, 1/4-28 x 5/8 (CD, QPC and PRO)	4