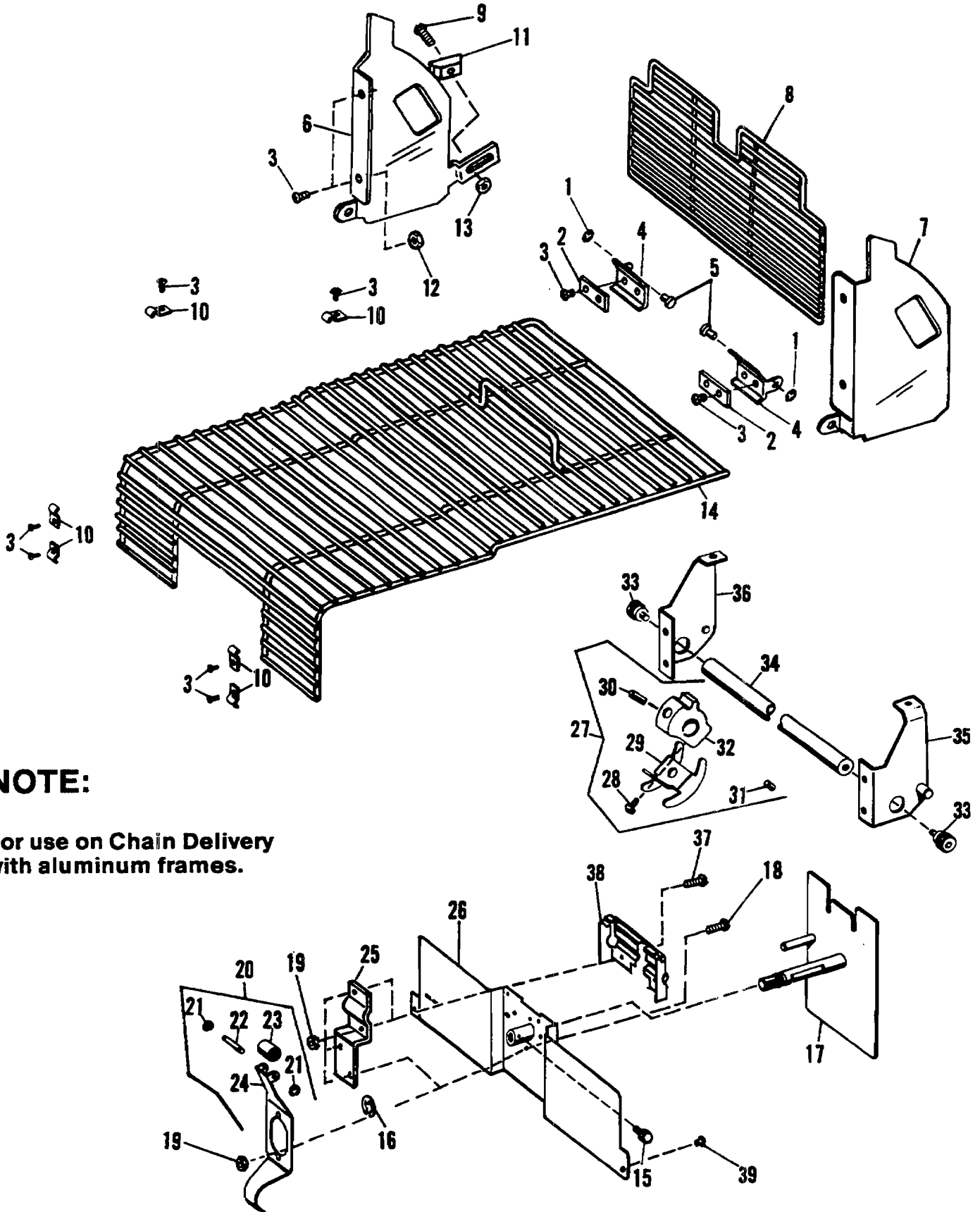


Parts Catalog



NOTE:

For use on Chain Delivery
with aluminum frames.

FIGURE 75
MODEL 9815/9850 Screen and Back Stop Assemblies

Parts Catalog

Index No.	Part No.	MODEL 9805/9850 Figure 75 Description	Units Per Assy.
1	014504	RING - Retaining, .146 I.D. x .027	2
2	007733	NUT PLATE ASSEMBLY - 10-32	2
3	001555	SCREW - 10-32 x 1/2	14
4	076879	HINGE	2
5	190304	PIN - Hinge	2
6	017684	BRACKET - Guard Assembly, N.O.S.	1
6	018517	BRACKET - Guard Assembly, N.O.S. (9840 B)	1
7	017683	BRACKET - Guard Assembly, O.S.	1
7	018516	BRACKET - Guard Assembly, O.S. (9840 B)	1
8	017995	SCREEN - Small Safety	1
9	101366	SCREW - Brass, 6-32 x 7/16	2
10	076881	CLIP - Large Screen Mounting	10
11	196140	MAGNET	1
12	014808	NUT - 10-32	4
13	014812	NUT - 6-32	1
14	007930	SCREEN ASSEMBLY - Large Safety	1
15	052187	SCREW - 10-32 x 7/16	1
16	001094	RING - Retaining, .394 I.D. x .044	1
17	017573	PLATE ASSEMBLY - Paper Stop	1
18	014187	SCREW - 8-32 x 3/8	6
19	014811	NUT - 8-32	10
20	***017577	SPRING ASSEMBLY	1
21	014514	RING - Retaining, .094 I.D. x .017	2
22	081849	SHAFT - Spring Roller	1
23	081848	ROLLER - Positioning Spring	1
24	017575	SPRING - Paper Stop	1
25	017576	PLATE - Mounting	2
26	017570	PLATE ASSEMBLY - Lower	1
26	018513	PLATE ASSEMBLY - Lower (9840 B)	1
27	007941	COLLAR ASSEMBLY - Roller Guide	1
28	001233	SCREW - 6-32 x 1/4	2
29	081850	PLATE - Roller Guide Collar	1
30	100367	SCREW - Set, 1/14-28 x 5/8	1
31	014390	SCREW - Set, 1/14-28 x 1/4	1
32	007942	COLLAR - Roller Guide	1
33	081677	SCREW - 5/16-18 x 1/2	2
34	007716	SHAFT - Back Stop Assembly	1
35	081774	STOP ASSEMBLY - Screen Assembly, O.S.	1
36	081776	STOP ASSEMBLY - Screen Assembly, N.O.S.	1
37	014369	SCREW - 8-32 x 3/8	4
38	017572	PLATE - Back Stop, Upper	1
38	018514	PLATE - Back Stop, Upper (9840 B)	1
39	059018	BUMPER - Rubber	2

***Not Available As An Assembly