

Parts Catalog

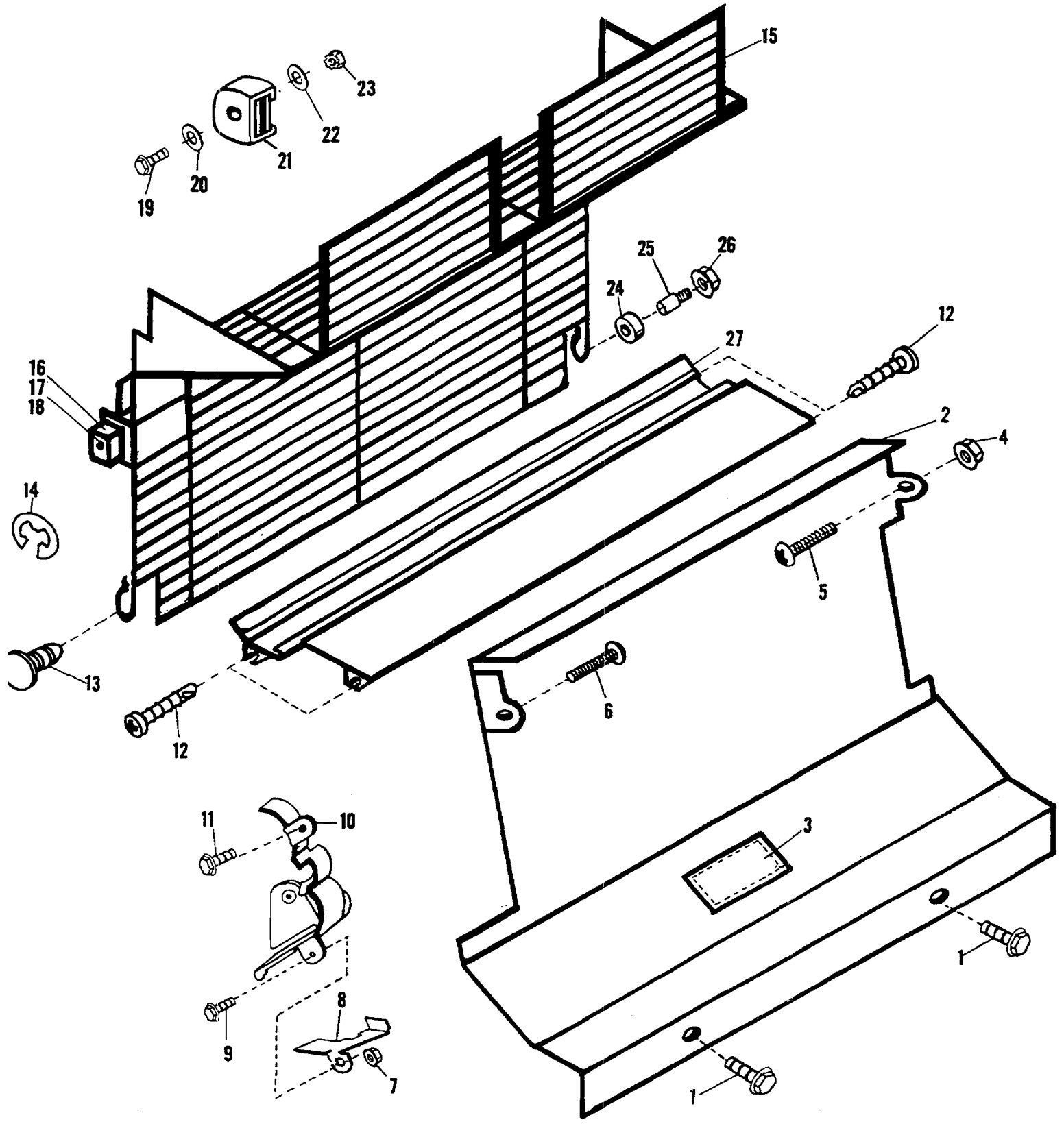


FIGURE 6B
MODEL 9815/9850 Safety Guards - Part III (New Design)

Parts Catalog

Index No.	Part No.	MODEL 9805/9850 Figure 6B Description	Units Per Assy.
1	101494	SCREW - 1/4-20 x 5/8	2
2	016318	GUARD - Tray	1
3	076898	DECAL	1
4	150085	NUT - 1/4-28	2
5	100657	SCREW - 10-32 x 5/8	1
6	001575	SCREW - 10-32 x 5/16	1
7	014248	NUT - 10-32	2
8	072051	SHIELD	1
9	111058	SCREW - 10-32 x 7/8	1
10	076869	GUARD - Rear	1
11	111054	SCREW - 10-32 x 1/2	1
12	101976	SCREW - 1/4-20 x 3/4	2
13	010419	STUD	1
14	001080	RING - Retaining, .302 I.D.	1
15	010415	GUARD - Impression	1
16	196140	MAGNET	1
17	101366	SCREW - Brass, 6-32 x 7/16	1
18	150080	NUT - 6-32	1
19	110073	SCREW - 10-32 x 1	1
19	111060	SCREW - 10-32 x 1 1/8	1
20	015490	WASHER - .190 I.D. x 5/8 O.D.	1
21	076835	CATCH - Magnetic	1
22	073544	SPACER	1
23	014808	NUT - 1/4-28	1
24	077552	BUSHING	1
25	074717	STUD	1
26	150083	NUT - 10-32	1
27	010420	GUARD - Delivery Roller	1

For 48-dash 9805/50 240V 50Hz. United Kingdom Machines

15	018192	GUARD - Impression	United Kingdom	1
28	010399	BRACKET ASSY. - Imp. SW. (Not Illustrated)	United Kingdom	1
29	010402	ACTUATOR ASSY. - Imp. SW. (Not Illustrated)	United Kingdom	1
30	253211	SWTCH - Guard, Imp. (Not Illustrated)	United Kingdom	1
31	100961	SCREW - 6-32 x 7/8 (Not Illustrated)	United Kingdom	1
32	190731	NUT-PLATE - (Not Illustrated)	United Kingdom	1