

# Parts Catalog

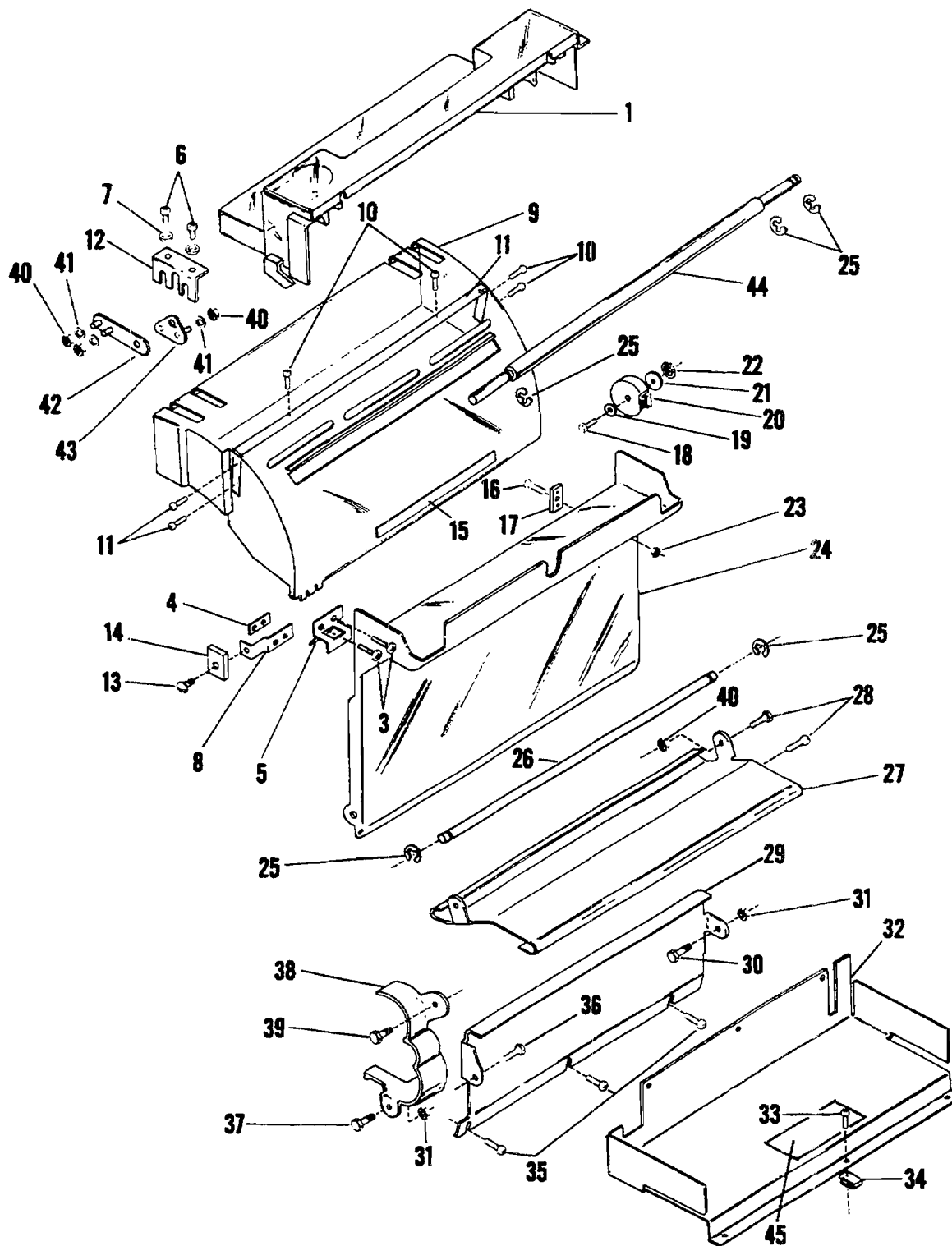


FIGURE 6  
MODEL 9815/9850 Safety Guards - Part II (Old Design)

# Parts Catalog

Index No.	Part No.	MODEL 9805/9850 Figure 6 Description	Units Per Assy.
1	017720	GUARD - Aquamatic .....	1
3	001299	SCREW - 6-32 x 7/16 .....	2
4	007737	NUT PLATE .....	1
5	017075	BRACKET .....	1
6	014136	SCREW - 10-32 x 7/16 .....	4
7	014774	WASHER - Plain, .203 I.D. x 1/2 O.D. x .029 .....	4
8	007738	BRACKET .....	1
9	OBS	COVER - Plastic, TD and CD .....	1
9	017711	COVER - Plastic, QP, QPC and PRO .....	1
10	001106	SCREW - 10-32 x 5/16 .....	6
11	017717	BRACE .....	1
12	078632	BRACKET .....	2
13	101366	SCREW - Brass, 6-32 x 7/16 .....	1
14	196140	MAGNET .....	1
15	076897	DECAL - "Do Not Operate, etc." .....	1
16	112515	SCREW - 4-40 x 5/16 .....	2
17	076836	PLATE - Strike, TD and QP .....	2
18	110073	SCREW - 1/4-28 x 5/8 .....	2
18	111060	SCREW - 10-32 x 1 1/8, Switch Box Mounting .....	1
19	015490	WASHER- Plain, .190 I.D. x 5/8 x .015 .....	1
20	076835	CATCH - Magnetic, TD and QP .....	2
21	073544	SPACER - TD and QP .....	2
22	014808	NUT - 1/4-28, TD and QP .....	2
23	100115	NUT - 4-40 .....	2
24	OBS	GUARD - impression Cylinder, TD and QP .....	1
25	001060	RING - Retaining, .208 I.D. x .027 .....	5
26	007981	SHAFT .....	1
27	017060	GUARD - Center, TD and QP .....	1
28	111054	SCREW - 10-32 x 1/2 .....	3
29	017692	GUARD - Upper .....	1
30	100657	SCREW - 10-32 x 5/8 .....	1
31	014248	NUT - Lock, 10-32 .....	1
32	017809	GUARD - Lower .....	1
33	001574	SCREW - 8-15 x 1/2 .....	3
34	001853	NUT - Speed, #8 .....	3
35	001220	SCREW - 10-32 x 3/8 .....	3
36	001575	SCREW - 10-32 x 5/16 .....	1
37	111058	SCREW - 10-32 x 7/8 .....	1
38	076869	GUARD - Rear, TD and QP .....	1
39	111054	SCREW - 10-32 x 1/2 .....	4
40	150083	NUT - 10-32 .....	8
41	016261	WASHER - Fiber, .200 I.D. x 1/2 O.D. x .063 .....	8
42	007954	BRACKET- Hinge, Aquamatic Guard .....	2
43	007952	BRACKET - Hinge .....	2
44	OBS	SHAFT - Guard Pivot .....	1
45	076898	LABEL - "Caution" .....	1