

Parts Catalog

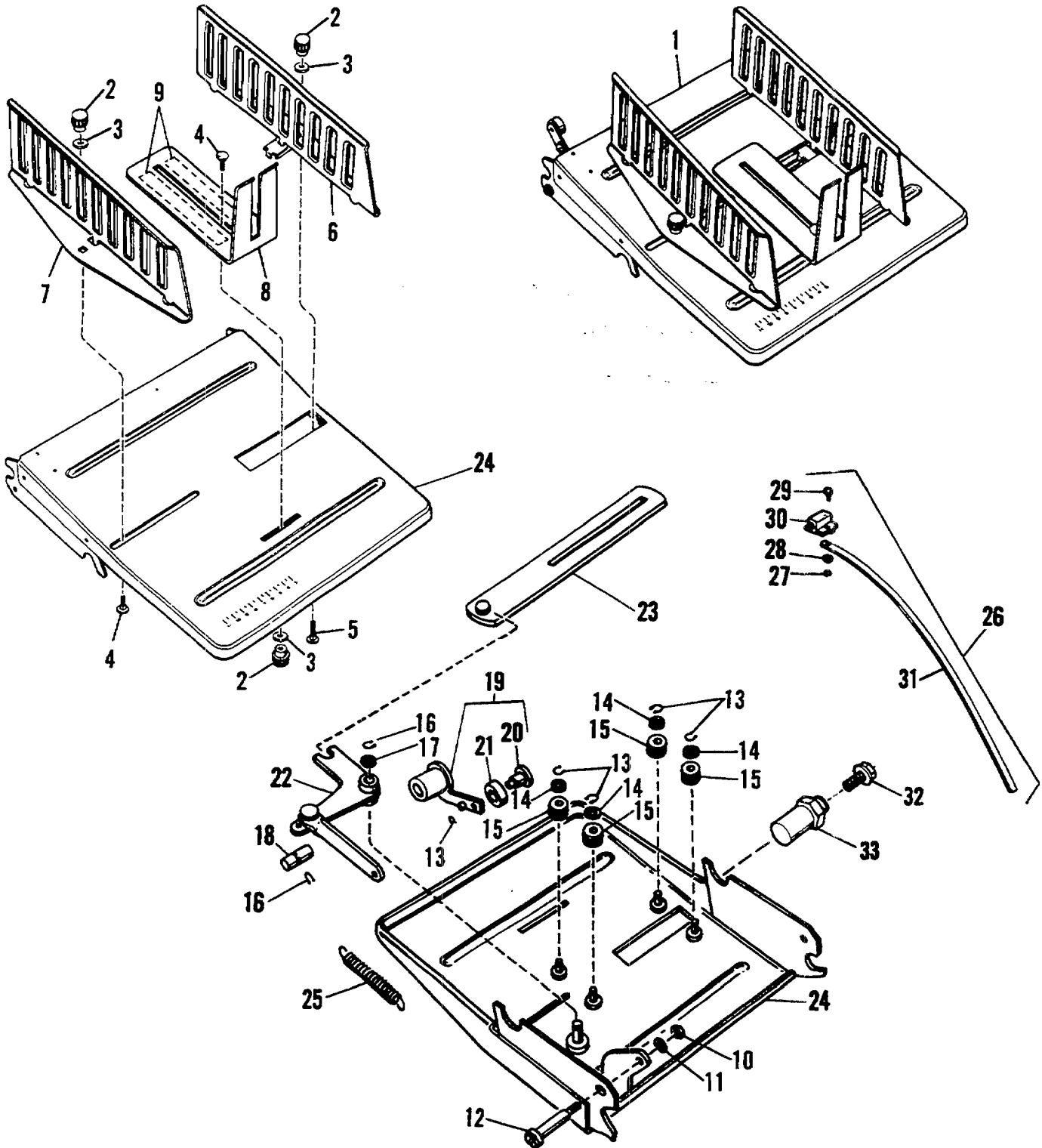


FIGURE 4
MODEL 9815/9850 Receiving Tray Assembly

Parts Catalog

Index No.	Part No.	MODEL 9805/9850 Figure 4 Description	Units Per Assy.
1	017676	RECEIVING TRAY ASSEMBLY	1
2	072757	KNOB - 1/4-20	3
3	191297	WASHER - .349 I.D. x .625 O.D.	3
4	014169	SCREW - Carriage, 1/4-20 x 1/2	2
5	014170	SCREW - Carriage, 1/4-20 x 7/8	1
6	072767	PAPER GUIDE ASSEMBLY - O.S.	1
7	072765	PAPER GUIDE ASSEMBLY - N.O.S.	1
8	072763	BACK STOP - Paper	1
9	066238	FELT STRIP	2
10	001812	NUT - 10-32	1
11	022621	WASHER - .197 I.D. x .500 O.D.	1
12	072795	SCREW - Shoulder, 10-32	1
13	001049	RING - Retaining, .227 I.D.	5
14	006675	WASHER - .253 I.D. x .500 O.D.	4
15	072774	TRUCK - Ram	4
16	001047	RING - Retaining, .340 I.D.	2
17	014703	WASHER - .384 I.D. x .562 O.D.	1
18	072796	SLEEVE - Pivot	1
19	072784	TRUCK AND LEVER ASSEMBLY	1
20	072790	RIVET	1
21	072176	TRUCK	1
22	072775	CRANK AND LINK ASSEMBLY	1
23	007694	RAM - Receiving Tray	1
24	017677	TRAY - Receiving	1
25	072544	SPRING - Tension, .406 O.D. x 3.125 O.A.L.	1
26	010364	TRAY BAIL - (New Design) (Not illustrated)	1
26	012142	TRAY BAIL ASSEMBLY	1
27	014507	RING - Retaining, .282 O.D.	1
28	001747	WASHER - .128 I.D. x .375 O.D.	1
29	072756	PIN - Shoulder, Grooved	1
30	064086	BRACKET	1
31	084071	TRAY BAIL	1
32	111091	SCREW - 5/16-24 x 3/4	2
33	196470	STUD - Tray Support	2