

Parts Catalog

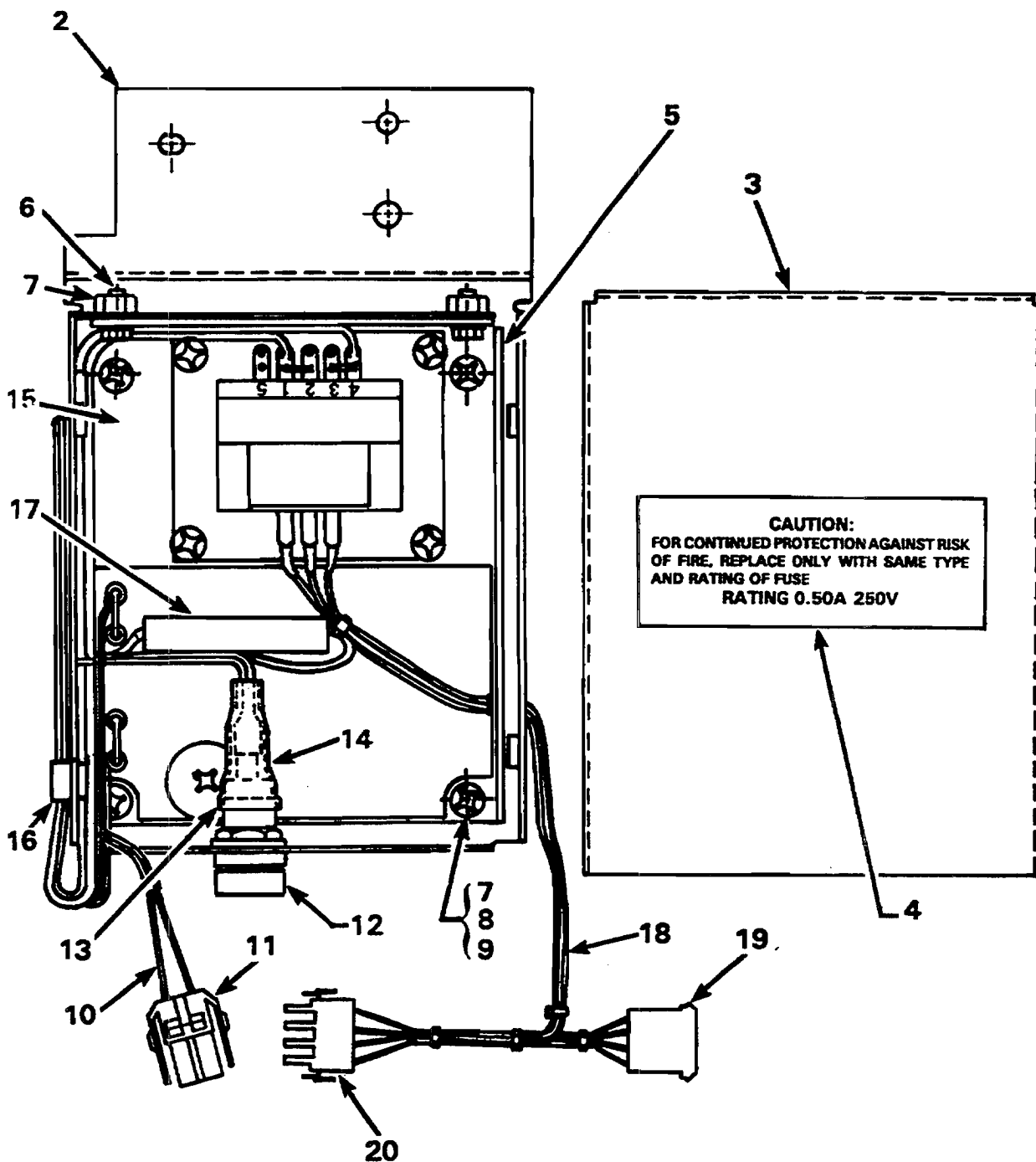


FIGURE 81
MODEL 9805/9810 New Style Power Supply

Parts Catalog

Index No.	Part No.	MODEL 9805/9810 Figure 81 Description	Units Per Assy.
1	401960	POWER SUPPLY ASSY 115VAC	1 EA
1	401961	POWER SUPPLY ASSY 220VAC	1 EA
2	401913	POWER SUPPLY BOX	1 EA
3	401914	COVER, POWER SUPPLY	1 EA
4	401928	CAUTION DECAL .50A 250V (115V)	1 EA
4	401930	CAUTION DECAL .25A 250V (220V)	1 EA
5	*254337	POWER SUPPLY 12VDC	1 EA
6	111034	SCREW	7 EA
7	014811	NUT	6 EA
8	001693	SCREW	4 EA
9	195795	SPACER	4 EA
10	401972	HARNESS, DC OUTPUT	1 EA
11	253384	PLUG, TWO PIN	1 EA
12	254349	FUSE CAP CARRIER	1 EA
13	254348	FUSE HOLDER	1 EA
14	254347	FUSE .5A (115V)	1 EA
14	254350	FUSE .25A (220V)	2 EA
15	400867	SHIELD	1 EA
16	250205	CABLE CLAMP	2 EA
17	251195	RESISTOR (115V ONLY)	1 EA
18	401962	HARNESS, AC INPUT	1 EA
19	253302	CONNECTOR, 4 PIN FEMALE	1 EA
20	253327	CONNECTOR, 4 PIN MALE	1 EA

*Not Procurable Separately