

Parts Catalog

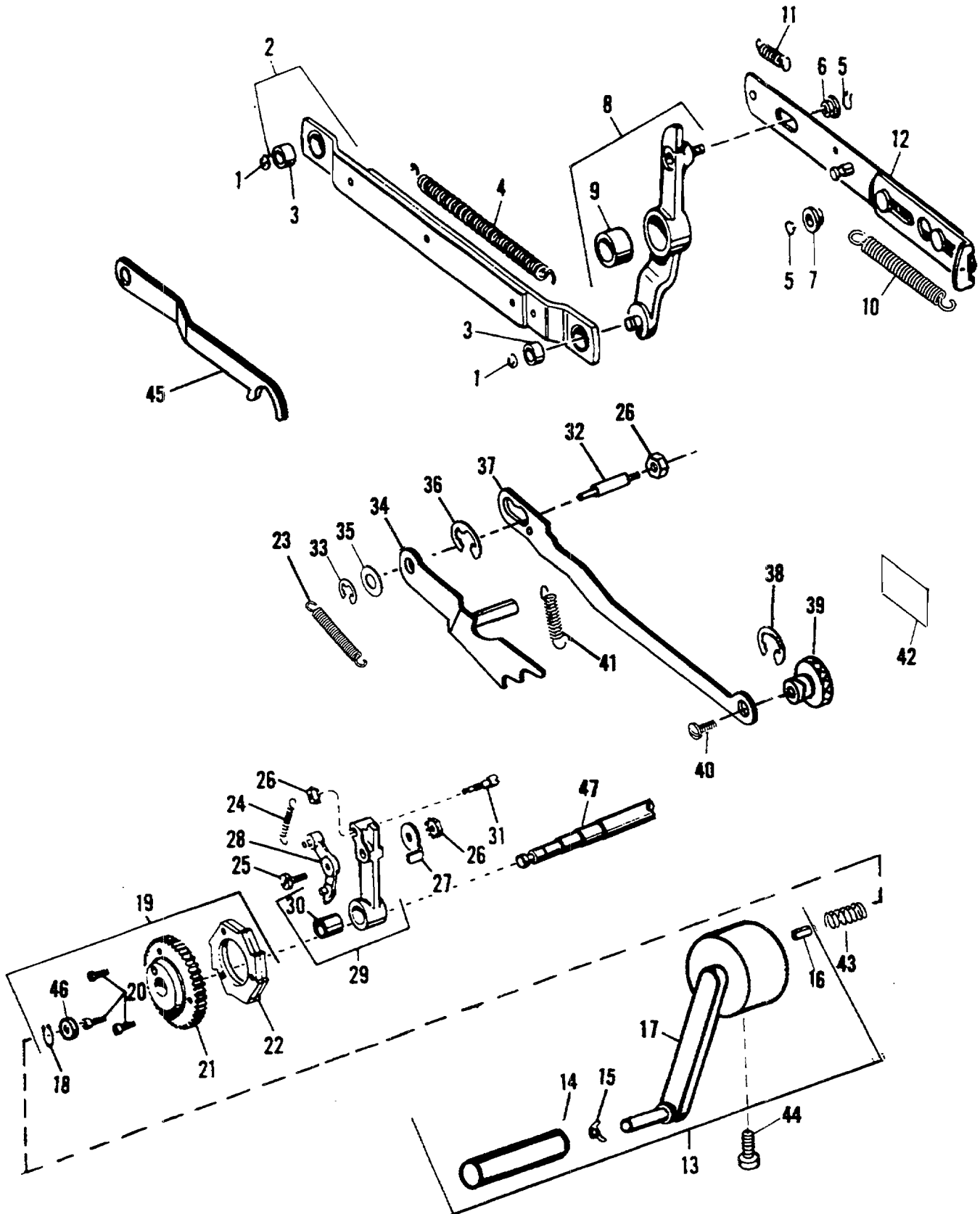


FIGURE 38
MODEL 9815/9850 Power Link and Related Feed Mechanism

Parts Catalog

Index No.	Part No.	MODEL 9805/9850 Figure 38 Description	Units Per Assy.
1	001095	RING - Retaining, .245 I.D. x .500 O.D. x .027	2
2	073373	LINK ASSEMBLY.....	1
3	001472	BUSHING	2
4	073381	SPRING - .500 O.D. x 4.687 O.A.L.	1
5	001049	RING - Retaining, .227 I.D. x .027	2
6	072471	BUSHING	1
7	072472	BUSHING	1
8	072589	LEVER ASSEMBLY	1
9	001469	BUSHING	1
10	072512	SPRING - .343 O.D. x 3.031 O.A.L.	1
11	041777	SPRING - .312 O.D. x 1.344 O.A.L.	1
12	072504	LINK ASSEMBLY	1
13	017803	HAND CRANK ASSEMBLY	1
14	017715	HANDLE	1
15	003042	SPRING LOCK	1
16	014966	PIN - Roll, .264 O.D. x 1.355 O.A.L.	1
17	*	HAND CRANK WITH STUD	1
18	001048	RING - Retaining, .463 I.D. x .037	1
19	017644	RATCHET AND GEAR ASSEMBLY - 32 Tooth	1
19	080204	RATCHET AND GEAR ASSEMBLY - 16 Tooth	1
20	014158	SCREW - 10-32 x 1/2	3
21	080144	GEAR	1
22	017645	RATCHET - 32 Tooth	1
22	072568	RATCHET - 16 Tooth	1
23	072544	SPRING - .406 O.D. x 3.125 O.A.L.	1
24	064590	SPRING - .218 O.D. x .937 O.A.L.	1
25	072586	SCREW - Shoulder, 1/4-28	1
26	150085	NUT - 1/4-28	1
27	072580	ANCHOR - Spring	1
28	017647	PAWL ASSEMBLY	1
28	072581	PAWL ASSEMBLY (9840 B)	1
29	072576	LEVER ASSEMBLY	1
30	001470	BUSHING	1
31	072579	STUD - Spring	1
32	072621	STUD	1
33	001080	RING - Retaining, .302 I.D. x .660 O.D. x .037	1
34	075836	PAWL	1
35	192202	WASHER - .385 I.D. x .625 O.D. x .010	1
36	001094	RING - Retaining, .388 I.D. x .800 O.D. x .040	1
37	017128	LINK - (First Design)	1
37	010142	LINK - (Second Design)	1
38	001785	RING - Crescent, .880 I.D. x 1.130 O.D. x .044	1
39	017125	KNOB	1
40	054147	SCREW - Shoulder, 8-32	1
41	006987	SPRING - .296 O.D. x 1.468 O.A.L.	1
42	017783	METAL CAL	1
43	190329	SPRING - Compression, .359 O.D. x 1.000 O.A.L.	1
44	072620	SCREW - Shoulder, 10-32	1
45	017643	PAWL - Stop (First Design)	1
45	072631	PAWL - (9840 B)	1
46	194868	SPACER - .520 I.D. x .687 O.D. x .125	1
47	017151	SHAFT ASSEMBLY - Table Raise	1

*Not Procurable Separately