

Parts Catalog

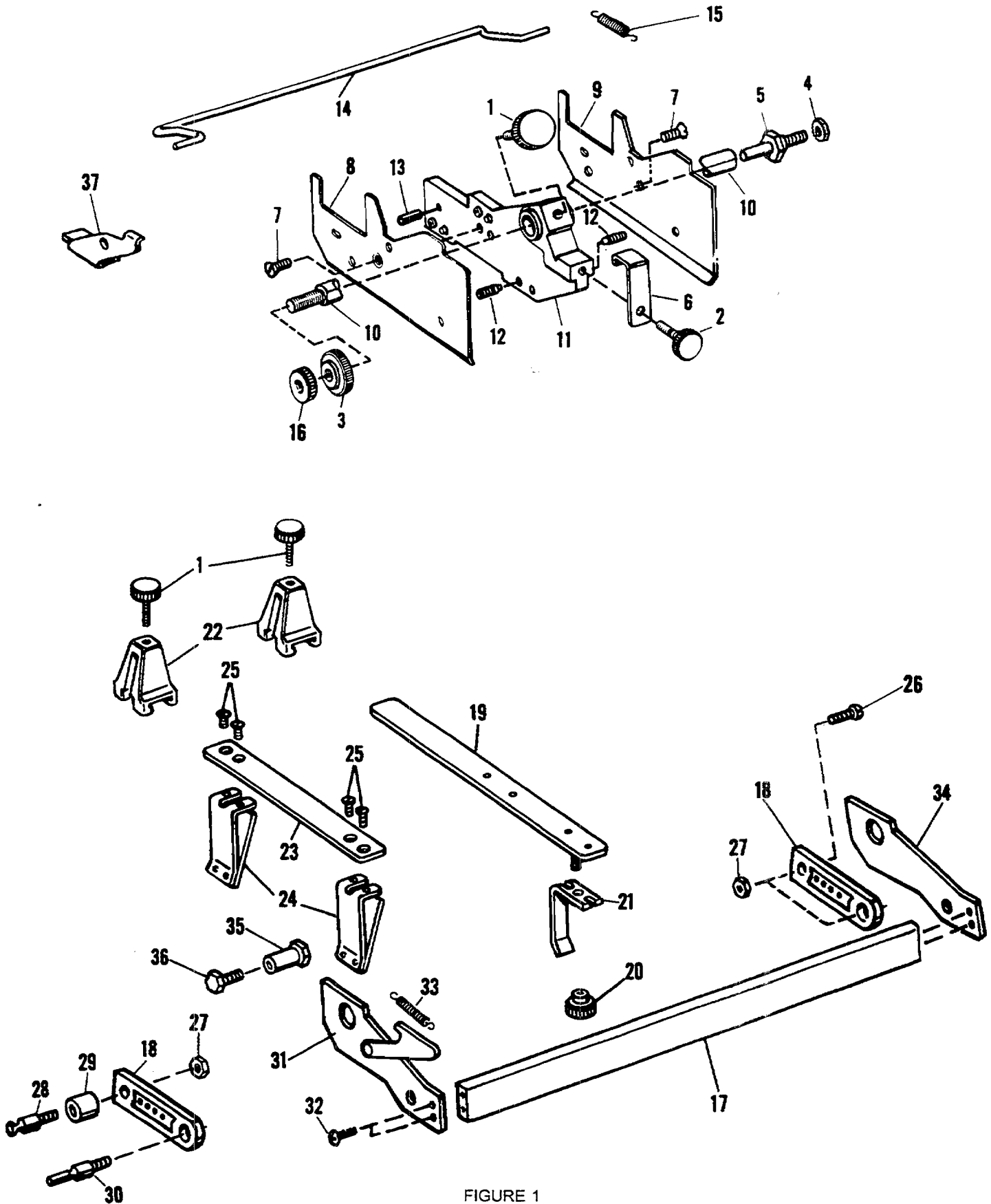


FIGURE 1
MODEL 9815/9850 Paper Guides and Mounting Bar

Parts Catalog

Index No.	Part No.	MODEL 9805/9850 Figure 1 Description	Units Per Assy.
1	073394	KNOB - Lock, 1/4-28 x 5/8	3
2	075890	KNOB - Lock, 1/4-28 x 1-1/32	1
3	075887	KNOB - Dual Micro Guide, 3/8-24	1
4	150085	NUT - 1/4-28	1
5	194897	STUD - Adjusting	1
6	075888	PLATE - Retainer	1
7	100583	SCREW - 1/4-28 x 1/2	2
8	400657	PLATE - O.S., Micro Guide	1
9	400658	PLATE - N.O.S., Micro Guide	1
10	007862	SHAFT - Micro Guide	1
11	400656	BRACKET — Micro Guide Adjustment Assembly	1
12	100177	SCREW - Set, 1/4-28 x 1/2	4
13	100579	PIN — Roll, .199 O.D. x .640 O.A.L.	1
14	007661	PAPER WEIGHT — Standard	1
14	007809	PAPER WEIGHT - Light Weight	1
15	072511	SPRING - .250 O.D. x 1.125 O.A.L., Standard	1
16	196171	KNOB - Dual Micro Guide, 3/8-24	1
17	008038	BAR - Mounting, Long	1
18	076893	STOP - Paper Guides	2
19	007689	PLATE - Center	2
20	072292	NUT - Thumb, 1/4-20	2
21	073467	GUIDE - Back, Stock Retainer	2
22	073385	CLAMP - Adjusting	3
23	073469	PLATE - Retainer, Spring	1
24	073472	SPRING - Guide Retainer	2
25	014225	SCREW - 8-32 x 1/4	4
26	111075	SCREW - 1/4-28 x 7/8	2
27	150085	NUT - 1/4-28	4
28	072197	STUD	1
29	195367	SPACER - 7/16 O.D. x .255 I.D.	4
30	196231	ANCHOR - Spring, 1 15/32 O.A.L. (9815/9850)	1
30	195327	ANCHOR - Spring, 1 15/16 O.A.L. (9805/9810)	1
31	076890	PLATE - Side, O.S.	1
32	111055	SCREW - 10-32 x 9/16	4
33	192142	SPRING - 1.000 O.A.L.	1
34	076889	PLATE - Side, N.O.S.	1
35	195359	NUT - Adapter	1
36	014230	SCREW - 1/4-28 x 1/2 (9815/9850)	1
37	076887	BRACKET - Stop	1