

Parts Catalog

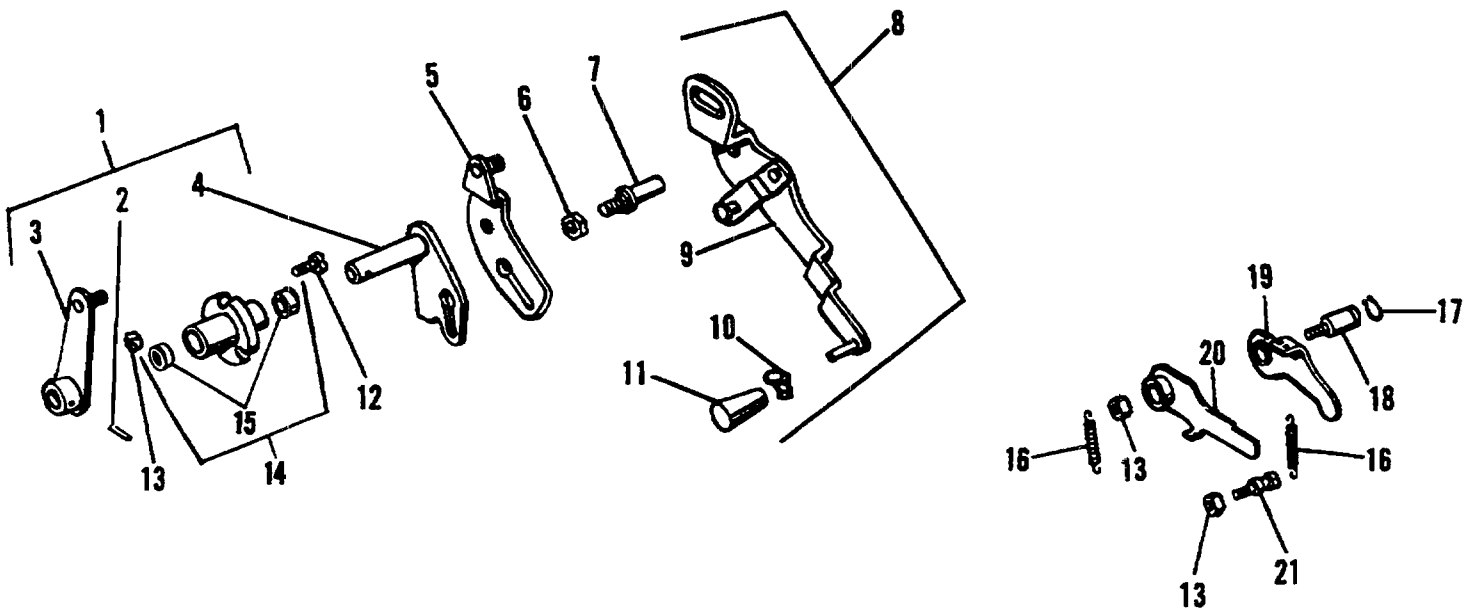


FIGURE 43
MODEL 9815/9850 Paper Height Adjustment

Parts Catalog

Index No.	Part No.	MODEL 9805/9850 Figure 43 Description	Units Per Assy.
1	080396	LEVER ASSEMBLY - Table Raising	1
2	001987	PIN - Roll, .167 O.D. x .890 O.A.L.	1
3	*080400	LEVER	1
4	*080397	LEVER	1
5	080404	LEVER - Adjusting	1
6	150085	NUT - 1/4-28	1
7	080409	PIVOT PIN	1
8	011405	LEVER ASSEMBLY - Dwell Control	1
8	018553	LEVER ASSEMBLY - Dwell Control (9840 B)	1
9	081152	LEVER	1
10	072052	SPRING LOCK	1
11	011371	HANDLE	1
11	017593	HANDLE (9840 B)	1
12	005034	SCREW - 10-32 x 1/2	3
13	150083	NUT - 10-32	5
14	080402	BEARING ASSEMBLY - Table Raising Lever	1
15	001412	BUSHING - .441 I.D. x .565 O.D. x .375 O.A.L.	2
16	072511	SPRING - Tension, .250 O.D. x 1.125 O.A.L.	2
17	001047	RING - Retaining, .340 I.D. x .033	1
18	072481	STUD - 10-32	1
19	072478	LEVER ASSEMBLY - Contact	1
20	080032	LEVER ASSEMBLY - Lower Latch	1
21	072482	SPRING ANCHOR - Contact Lever Spring	1

*Not Procurable Separately