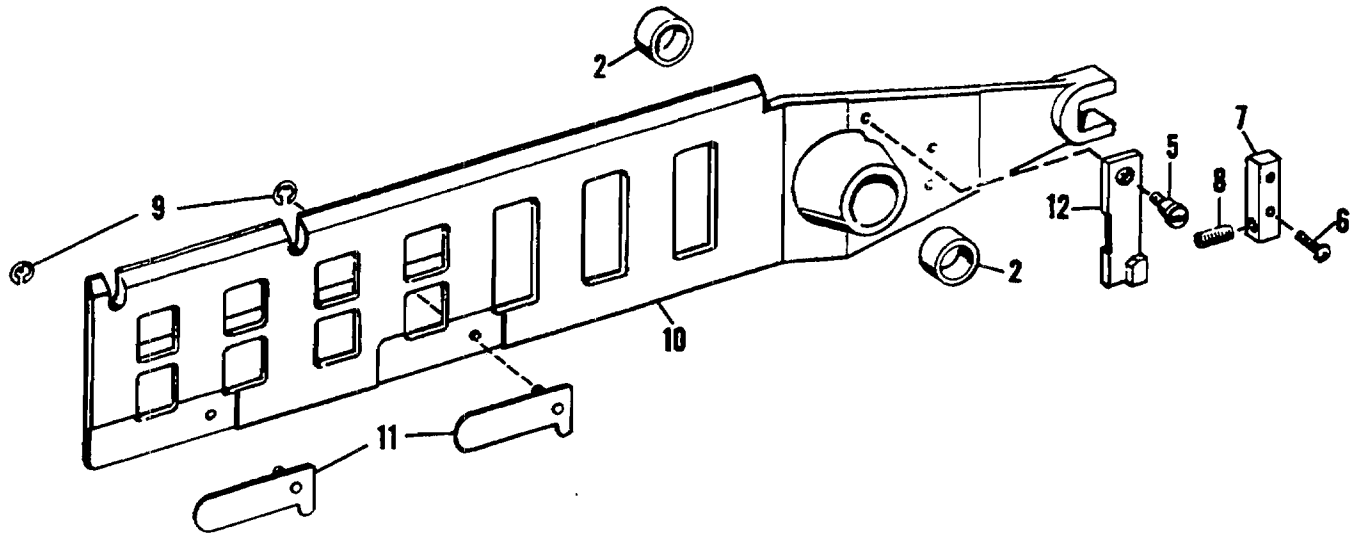


Parts Catalog



NOTE:

For use on Chain Delivery with aluminum frames.

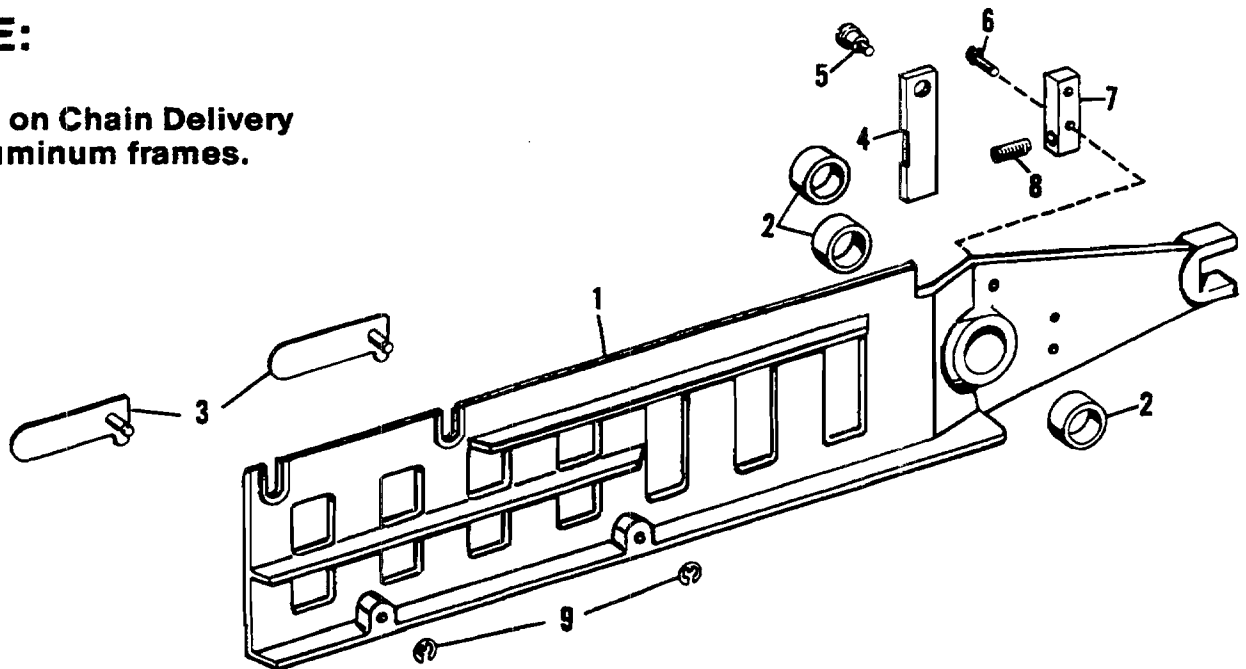


FIGURE 74
MODEL 9815/9850 Paper Guide Assemblies

Parts Catalog

Index No.	Part No.	MODEL 9805/9850 Figure 74 Description	Units Per Assy.
1	017686	GUIDE - Paper, O.S.	1
2	014640	BUSHING - 1.003 O.D. x .816 I.D. x .312	3
3	081851	PLATE - Guide Extension, O.S.	2
4	081629	PRESSURE PAD - jogger Screw, O.S.	1
5	081631	SCREW - Shoulder, 10-32	2
6	014281	SCREW - 10-32 x 3/4	4
7	081630	BLOCK - Spring Mounting	2
8	081632	SPRING - Compression, .317 O.D. x 1.000 O.A.L. x .051	2
9	001060	RING - Retaining, .208 I.D. x .027	4
10	017688	GUIDE - Paper, N.O.S.	1
11	081852	PLATE - Guide Extension, N.O.S.	2
12	081637	PRESSURE PAD - Jogger Screw, N.O.S.	1

NOTE: All above parts are used for Chain Delivery with Aluminum Frames.