

Parts Catalog

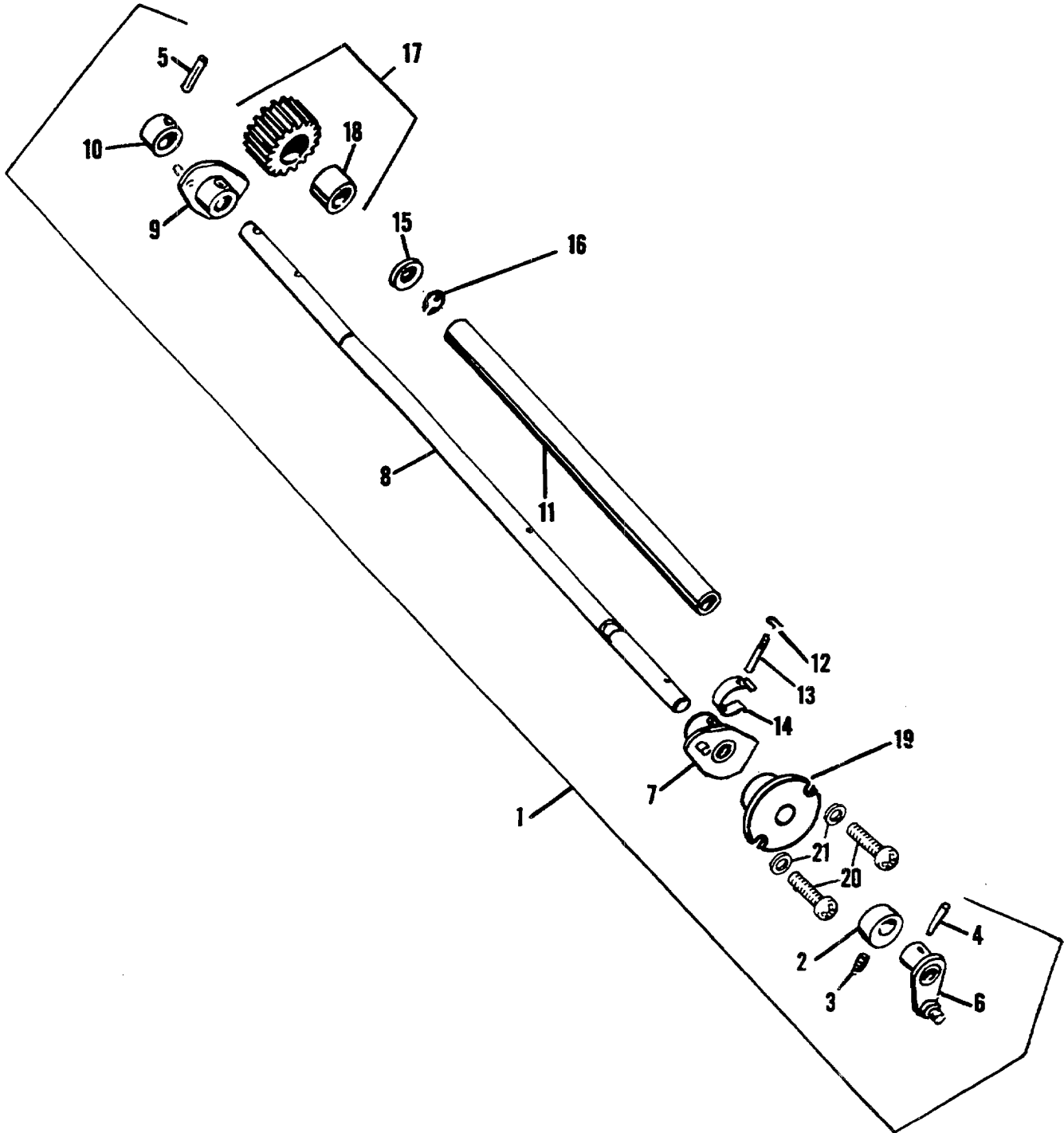


FIGURE 18
MODEL 9815/9850 Form Roller Separator

Parts Catalog

Index No.	Part No.	MODEL 9805/9850 Figure 18 Description	Units Per Assy.
1	017619	SHAFT ASSEMBLY - Form Roller Separator	1
2	071594	COLLAR - Eccentric.....	1
3	014372	SCREW - Set, 10-32 x 1/4	1
4	000009	PIN - Taper, .750 O.A.L.	1
5	001978	PIN - Roll, .135 O.D. x .765 O.A.L.	1
6	*017620	LEVER - Separating	1
7	*071649	CAM - O.S. Form Roller Separator	1
8	*007554	SHAFT - Form Roller Separator	1
9	*071648	CAM - N.O.S. Form Roller Separator	1
10	*055535	COLLAR - Separator Shaft	1
11	192763	TUBE - .572 I.D. x .622 O.D. x 14.077	1
12	014507	RING - Retaining, .097 I.D.	2
13	190382	PIN - Spring Clip	2
14	190383	CLIP - Spring	2
15	192798	WASHER - .507 I.D.	1
16	100969	RING - Retaining, .447 I.D.	1
17	076386	GEAR - Idler	1
18	001427	BUSHING - .503 I.D. x .628 O.D. x .880 O.A.L.	1
19	073029	BEARING HOUSING	2
20	111068	SCREW - 1/4-28 x 5/16	4
21	021203	WASHER - .255 I.D. x .500 O.D.	4

*Not Procurable Separately