

Parts Catalog

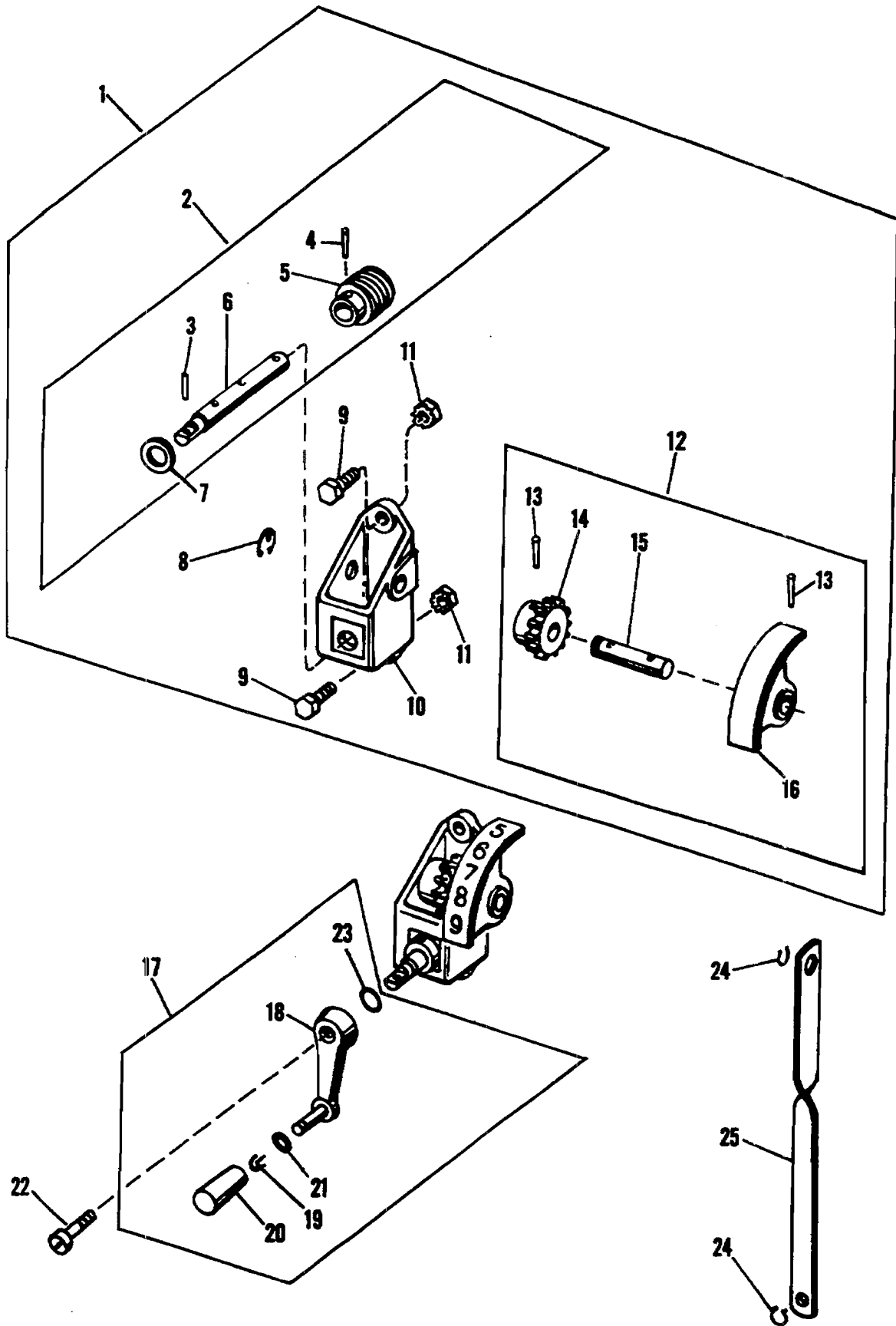


FIGURE 45
MODEL 9815/9850 Motor Speed Mechanism

Parts Catalog

| Index No. | Part No. | MODEL 9805/9850 Figure 45 Description | Units Per Assy. |
|-----------|----------|--|-----------------|
| 1 | 012022 | MOTOR SPEED INDICATOR ASSEMBLY | 1 |
| 2 | 076737 | WORM SHAFT ASSEMBLY | 1 |
| 3 | 001980 | PIN - Roll, .135 O.D. x .640 O.A.L. | 1 |
| 4 | 014902 | PIN - Taper, .125 O.D. x .720 O.A.L. | 1 |
| 5 | *076739 | WORM | 1 |
| 6 | *076738 | SHAFT | 1 |
| 7 | 014718 | WASHER - Spring, 1/2 | 1 |
| 8 | 001094 | RING - Retaining, .394 I.D. x .800 O.D. x .044 | 1 |
| 9 | 111074 | SCREW - 1/4-28 x 3/4 | 2 |
| 9 | 111075 | SCREW - 1/4-28 x 7/8 (1:1 CD) | 1 |
| 10 | 076742 | HOUSING | 1 |
| 11 | 150084 | NUT - 1/4-28 | 2 |
| 12 | 076740 | GEAR AND SHAFT ASSEMBLY | 1 |
| 13 | 001956 | PIN - Taper, .135 O.D. x 1.000 O.A.L. | 2 |
| 14 | *076735 | GEAR | 1 |
| 15 | *072647 | SHAFT | 1 |
| 16 | *072641 | LEVER | 1 |
| 17 | 017595 | CRANK ASSEMBLY | 1 |
| 18 | 027594 | CRANK | 1 |
| 19 | 072052 | SPRING - Lock | 1 |
| 20 | 017593 | HANDLE | 1 |
| 21 | 014740 | WASHER - .162 I.D. x 5/16 O.D. x .0478 | 1 |
| 22 | 096244 | SCREW - Special, 10-32 x 1.000 O.A.L. | 1 |
| 23 | 039642 | RING - Vinyl, .155 I.D. x .295 O.D. x .075 | 1 |
| 24 | 001047 | RING - Retaining, .340 I.D. x .027 | 2 |
| 25 | 072650 | LINK - Twisted | 1 |

*Not Procurable Separately