

Parts Catalog

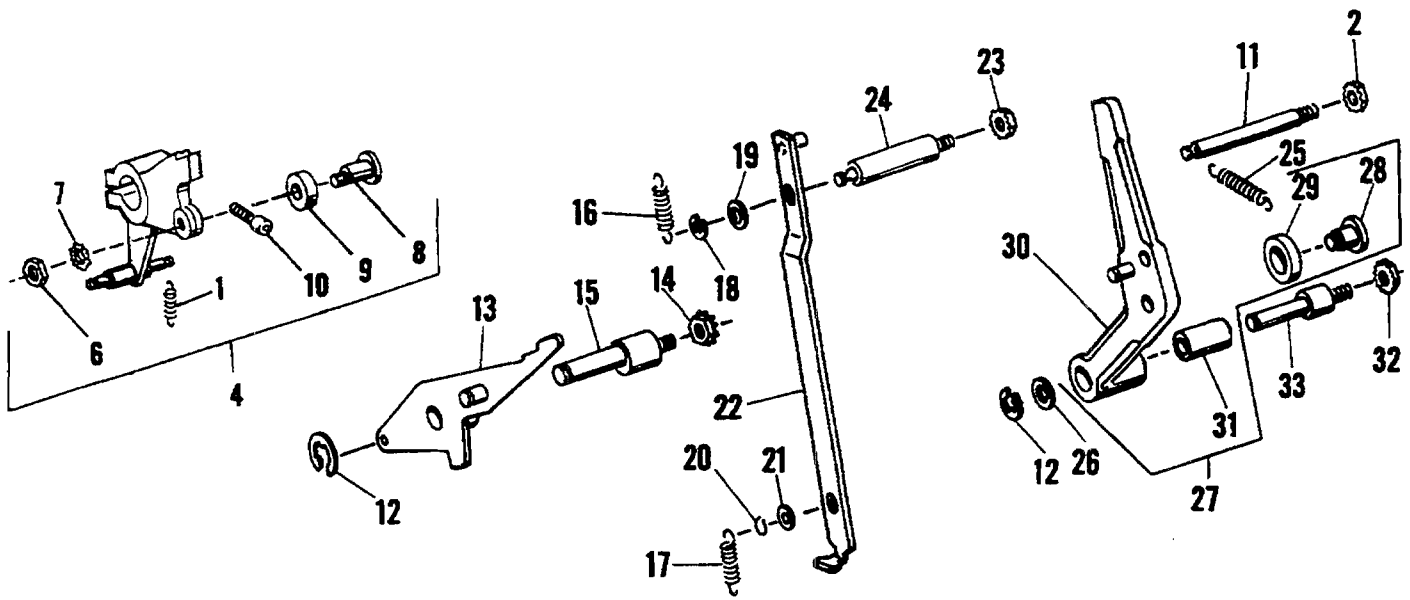


FIGURE 27
MODEL 9815/9850 Master Cylinder Lever Assemblies

Parts Catalog

Index No.	Part No.	MODEL 9805/9850 Figure 27 Description	Units Per Assy.
1	190148	SPRING - Tension, .406 O.D. x 2.312 O.A.L.	1
4	017627	LEVER ASSEMBLY - Master Cylinder	1
6	001818	NUT - 1/4-28	1
7	001740	WASHER - Lock, .262 I.D. x .500 O.D. x .025	1
8	072357	SCREW - Master Cylinder Lever, Eccentric	1
9	072358	SPACER - Master Cylinder Lever Screw	1
10	100891	SCREW - 1/4-20 x 1.000	1
11	072129	STUD - Power Lever Spring	1
12	001080	RING - Retaining, .302 I.D. x .660 O.D. x .037	2
13	072370	LATCH LEVER ASSEMBLY - Master Cylinder	1
14	001821	NUT - 1/4-28	1
15	072373	STUD - Latch Lever	1
16	072511	SPRING - Tension, .250 O.D. x 1.125 O.A.L.	1
17	041777	SPRING - Tension, .312 O.D. x 1.344 O.A.L.	1
18	001060	RING - Retaining, .208 I.D. x .527 O.D. x .027	3
19	021203	WASHER - .254 I.D. x .500 O.D. x .029	1
20	001062	RING - Retaining, .250 I.D. x .027	1
21	016574	WASHER - .315 I.D. x .687 O.D. x .047	1
22	072386	LATCH LINK ASSEMBLY - Master Cylinder	1
23	150085	NUT - 1/4-28	1
24	017578	STUD - Latch Link	1
24	072388	STUD - Latch Link (Model 9805/9810)	1
25	072442	SPRING - Tension, .343 O.D. x 2.000 O.A.L.	1
26	014727	WASHER - .382 I.D. x .750 O.D. x .029	1
27	072040	POWER LEVER ASSEMBLY- Master Cylinder	1
28	192323	SCREW - Eccentric	1
29	072367	TRUCK	1
30	*072038	POWER LEVER	1
31	001446	BUSHING - .379 I.D. x .503 O.D. x .875 O.A.L.	1
32	150085	NUT - 1/4-28	1
33	072369	STUD - Power Lever	1

*Not Procurable Separately